

SYSTEM 2

PRICEBOOK



TABLE OF CONTENTS

INTRODUCTION

Terms and Conditions	3	Door Swing Detail	23
Standard Fabrics	6	Transaction Tops - Change of Height	24
Non-Standard Fabrics	7	How to Specify My-Hite 2 Piece	
Pattern Direction	8	Extended Corners or	
Standard Finishes	9	Rectangular Tops	25
Trim/End Panel/ Panel Glazing	10	Grommet Locations	26-31
Matching WS & HS Panels	11	Power Grommets	32
Fixed and Mobile Pedestals	12		
Lateral Files	14		
Pull Options, Systems Storage	15		
Data Port Plate	16		
Panel Details & Knockout Location	17		
Panel Creep	18		
Festoons	19		
Maximum Panel Run	21		

PANELS

Hard-Surface Panel	
Non-Electrical	33
Electrical	35
Hard-Surface Glazed Panel	
Non-Electrical	38
Electrical	39
Fabric-Covered Panel	
Non-Electrical	40
Electrical	42
Acoustical Panel	
Non-Electrical	44
Electrical	46
Partial-Glazed Panel	
Non-Electrical	48
Electrical	49
Door Panel	50
Base Covers	51

PANEL HARDWARE

Draw Rod	52
Connectors	53

ELECTRICAL DISTRIBUTION

Electrical Distribution	57
Power Grommets	60

SYSTEM WORKSURFACES

Rectangular Worksurface	61
90° Notched and Curved Corner	63
Square Edge Half Circle	64
Quarter Round Top	65
120 ° Wedge Top	66
Square Edge D-Shaped	67
90° Extended Notched Corner	68
90° Extended Curved Corner	71
90° Extended Notched Corner	
Peninsula	74
Extended Curved Corner Peninsula	78
Ext Curved Corner P-Shape Peninsula	82
Ellipse End Peninsula	84
Rectangular Asymmetrical	85
120° Rectangular	86
120° Corner / 90° Ends	87
120° Corner / 120° Ends	88
135° Corner	89
135° Double Corner	90

TRANSACTION WORKSURFACES

Square Edge Rectangular	
Transaction Surface	91
Square Edge Corner	
Transaction Surface	92

MY-HITE WORKSURFACES

Rectangular	93
Corner	94
90° Extended Curved Corner	95
Rectangular Extension	98
Wedge	100
120° Corner / 90° Ends	101
120° Corner / 120° Ends	101
D-Shaped	102

WORKSURFACE SUPPORT

Supports	103
Flat Bracket & Anti-Sag Bars	105

COMPONENTS

Components / Storage	106
Frameless Glass	109
Tackboards	110
Markerboards	111
Modesty Panel, Laminate	112

STORAGE

Privacy Screen, Fabric	113
Privacy Screen, Marker Board	114
Privacy Screen, Laminate	115
Pedestals	116
Lateral Files	119
Lateral File Counterweight	120
Front-To-Back File Bars	120
Extended Glides	120
Lateral File Tops	121

PULLS

Pulls	
Lateral	123
Pedestal	124

ACCESSORIES

Accessories	125
Keyed-Alike Information	127

Terms and Conditions

PRICES

All Prices are F.O.B. point. We reserve the right to change prices without prior notice.

ORDERING

Purchase Orders should be sent to Friant & Associates, LLC at orders@friant.com, or faxed to (510) 535-6895. If your specifications were created with CAP, GIZA, or Project Matrix please send the worksheet (SP4) with your Purchase Order.

TERMS

Net 30 days from date of invoice. Invoices are delinquent if not paid 30 days from date of invoice. In the event timely payment is not made, interest will be charged at the rate of 1.5% per month on delinquent accounts. Buyers will also be liable for normal collection costs and attorney's fee. 50% deposit is required with every order, unless prior arrangements have been made.

ORDERS

Orders are only accepted by issuance of our formal acknowledgment, and are subject to the terms set forth herein and on our order acknowledgment. It is the responsibility of the buyer to review our acknowledgment for accuracy.

LEAD TIMES

Lead times are subject to availability.

SHIPPING

Friant generally palletizes, boxes and/or shrink-wraps its products. If buyer requests additional packaging or special shipping, then it is responsible for any extra costs that result. Buyer obtains title to products and assumes the risk of loss for them upon shipment from Friant's plant.

CLAIMS

We are not responsible for damage suffered in transit. Merchandise should be inspected for possible freight damage upon delivery. The consignee should file for damage or shortages with the carrier within 5 days of delivery. You are also protected for "concealed damage" if you file claim with the carrier within 5 days of delivery. Buyer must make all claims against Friant for defects, errors or shortages in writing within 10 days after delivery. Failure to make such a claim shall constitute full acceptance.

RETURNS

No merchandise may be returned without our written consent and shipping instructions. Unauthorized returns will not be accepted and will be returned freight collect.

PARTIAL SHIPMENTS

We will make every attempt to ship orders complete and on schedule. However, we reserve the right to make partial shipments, as merchandise is ready. Invoices covering these shipments are to be paid as they become due.

ORDER CHANGE – CANCELLATIONS

Our order confirmation is final and binding. Any order change or cancellation is subject to our ability to conform. For the most up to date information, always review the order change/cancellation policy online. Allowable changes within the posted policy must be made in writing.

SHIPMENT AND PREPAID FREIGHT

Unless otherwise instructed, we reserve the option to ship by what is, in our opinion, the best possible way. Upon request, we will prepay and add freight for accounts with established credit.

DELIVERY

We are not liable for delay or failure of delivery due to strikes and/or differences with workmen, war, riot, fire, compliance with government regulations, acts of nature, failure or delays of sources of supply, or any other causes beyond our control.

STORAGE

If buyer cannot accept delivery when merchandise is ready, we reserve the right to transfer goods to storage. Costs of transfer and storage will be charged to the buyer's account, and we will deem such transfer as constituting shipment for all purposes, including invoicing, as of the date the transfer is made.

Terms and Conditions continued

CONSTRUCTION — SPECIFICATIONS

All items are produced to price list specifications unless otherwise advised. All dimensions shown are approximate. Manufacturer reserves the right to make modifications and/or improvements without prior notice.

FABRIC APPLICATION

Standard fabric application for panels 67" and below is Non-Directional application. Panels taller than 67" are only available in Directional application. When ordering panels 67" and below to match a panel taller than 67", specify matching direction. Friant & Associates is not responsible for charges associated with replacement of products due to incorrect specifications.

CUSTOMER'S OWN MATERIAL

Yardage requirement is based on 66" wide plain covering material, and must be increased if less than 66" wide. Special instructions for handling material (pattern, directional fabric, right side of reversible fabric, etc.) must be submitted in writing before fabric is delivered. In the absence of special instructions, we reserve the right to use our own judgment. We reserve the right to reject any covering, which in our opinion, is unsuitable for our upholstery purposes. However, in no instance shall we be held responsible for unsatisfactory results due to use of covering unsuitable for our upholstery methods.

We will not be responsible for errors caused by buyers not supplying us with sample cuttings attached to their order giving full identification of covering material, (name of supplier, covering name, number and color) for identification purposes and advising us of model number and quantity to which each cover is to be applied.

Customer's own material that is shipped freight collect will be refused. A service charge will be applied for the return of unusable C.O.M. Contact factory.

RIGHTS AND WARRANTIES — LIMITED LIFETIME WARRANTY

This warranty is given to the initial purchaser and is valid from the date of purchase, for as long as the initial purchaser owns the product. This warranty covers defects in material and craftsmanship found during normal usage of the product during the warranty period. Normal usage is defined by 8 hour shifts in the product's intended application and in an indoor environment that conforms to the ANSI/ASHRAE Standard 55: Thermal Environmental Conditions for Human Occupancy (relating to air temperature, mean radiant temperature, air velocity, clothing insulation, metabolic rate, and humidity). Friant's warranty does not cover usage other than normal usage as defined in the previous sentence. If the product is defective, and if written notice of the defect is given to Friant & Associates within the applicable warranty period, Friant & Associates, at its option, will either repair or replace the defective product with a comparable component or product. This warranty applies to all products except as noted below.

High wear parts, such as wood veneer, fabrics, and other covering material/finishes, foam, glides, etc. are warranted for one (1) year. This warranty does not apply to damage caused by a carrier, alteration to the product not expressly authorized by Friant & Associates, nor to product considered to be of a consumable nature such as bulbs, light ballasts, etc. It also does not apply to "Customer's Own Material" (i.e. material specified by the customer that is not a standard Friant & Associates offering) used in the manufacture of Friant & Associates products.

Our warranty for LED lights is 2 years.

Friant & Associates does not warrant the matching of colors, grain or texture, except to within commercially acceptable standards. This includes normal variations between dye lots (fabrics).

A product will not be considered defective, and Friant & Associates will not be obligated to replace it, if it is not installed in a proper manner (i.e. product not leveled, not secured properly, etc.) or if it is not used in a manner and/or in an environment that constitutes normal usage, as defined above.

Except as noted above, Friant & Associates makes no express or implied warranties to any product, and in particular makes no warranty of fitness for any particular use. At Friant & Associates' option, product repair and replacement is the customer's exclusive remedy for any and all product defects.

Friant & Associates shall not be liable for consequential, economic, or incidental damages arising from any product defect.

Terms and Conditions continued

CALIFORNIA PROP 65 WARNING

Products in this catalog can expose you to chemicals including wood dust, which is known to the State of California to cause cancer or birth defects or other reproductive harm. For more information go to <https://www.p65warnings.ca.gov/products/furniture-products>.”

CARB

Friant products are CARB 93120 compliant for formaldehyde (phase 2)

TSCA TITLE VI

Friant products are TSCA Title VI Compliant

MAS

Accredited Compliance Designation - ANSI/BIFMA x7.1 & e3-2014 7.6.1, 7.6.2, 7.6.3

California Dept. Of Public Health Standard Method v1.2

Conforms With: LEED v4

Criteria of MAS Certified Green ® Program

Standard Fabrics

JOURNEY		TERRAIN		SLIDE		SILKY		SKY	
PF801-1	Quest	PF701-1	Cloud	PF101-1	Caramel	PF401-1	Natural	PF301-1	Terra
PF801-2	Voyage	PF701-2	Dusk	PF101-2	Slate	PF401-2	Parids	PF301-2	Birch
PF801-3	Transit	PF701-3	Wave	PF101-3	Pewter	PF401-3	Overcast	PF301-3	Moss
PF801-4	Amble	PF701-4	Earth	PF101-7	Java	PF401-5	Graphite		
PF801-5	Odyssey			PF101-9	Sterling				
PF801-6	Caravan			PF101-10	Crema				
PF801-7	Expedition			PF101-13	Mustard				
PF801-8	Wayfare			PF101-14	Avocado				
				PF101-15	Pumpkin				
				PF101-16	Ocean				
				PF101-17	Blueberry				
				PF101-18	Cardinal				
				PF101-19	Flamingo				
				PF101-20	Serenity				
				PF101-21	Azure				
				PF101-22	Orchid				
				PF101-23	Plum				
				PF101-24	Raven				

LIMITED AVAILABILITY

SLIDE		STICKS		PASSAGE	
PF101-4	Verde	PF501-3	Sage	PF601-5	Leaf
PF101-6	Vintage			PF601-8	Amber
PF101-8	Latte				

Fabric is scheduled for discontinuation when inventory is exhausted. Please contact Customer Success for current stock levels. After discontinuation fabric will be available with extended lead time, subject to minimum yardage requirements.

NOTES:

- Passage and Terrain are not available on acoustical panels, pedestal cushions, tackboards or fabric screens.
- Please refer to the Fabric Direction Section in the Materials Reference Guide on the Dealer Resource Center for more details. <http://dealers.friant.com/dealers/product-literature/>
- **When ordering panels 67" and below to match an 85"H panel, specify matching direction.**
- Order fabric / finish sample online at www.friant.com
- Colors may vary slightly between dye lots.

Non-Standard Fabrics & Tile Application

CUSTOMER'S OWN MATERIAL

Yardage requirement is based on 66" wide plain covering material, and must be increased if less than 66" wide. Special instructions for handling material (pattern, directional fabric, right side of reversible fabric, etc.) must be submitted in writing before fabric is delivered. In the absence of special instructions, we reserve the right to use our own judgment. We reserve the right to reject any covering, which in our opinion, is unsuitable for our upholstery purposes. However, in no instance shall we be held responsible for unsatisfactory results due to use of covering unsuitable for our upholstery methods.

We will not be responsible for errors caused by buyers not supplying us with sample cuttings attached to their order giving full identification of covering material, (name of supplier, covering name, number and color) for identification purposes and advising us of model number and quantity to which each cover is to be applied.

Customer's own material that is shipped freight collect will be refused. A service charge will be applied for the return of unusable C.O.M. Contact factory.

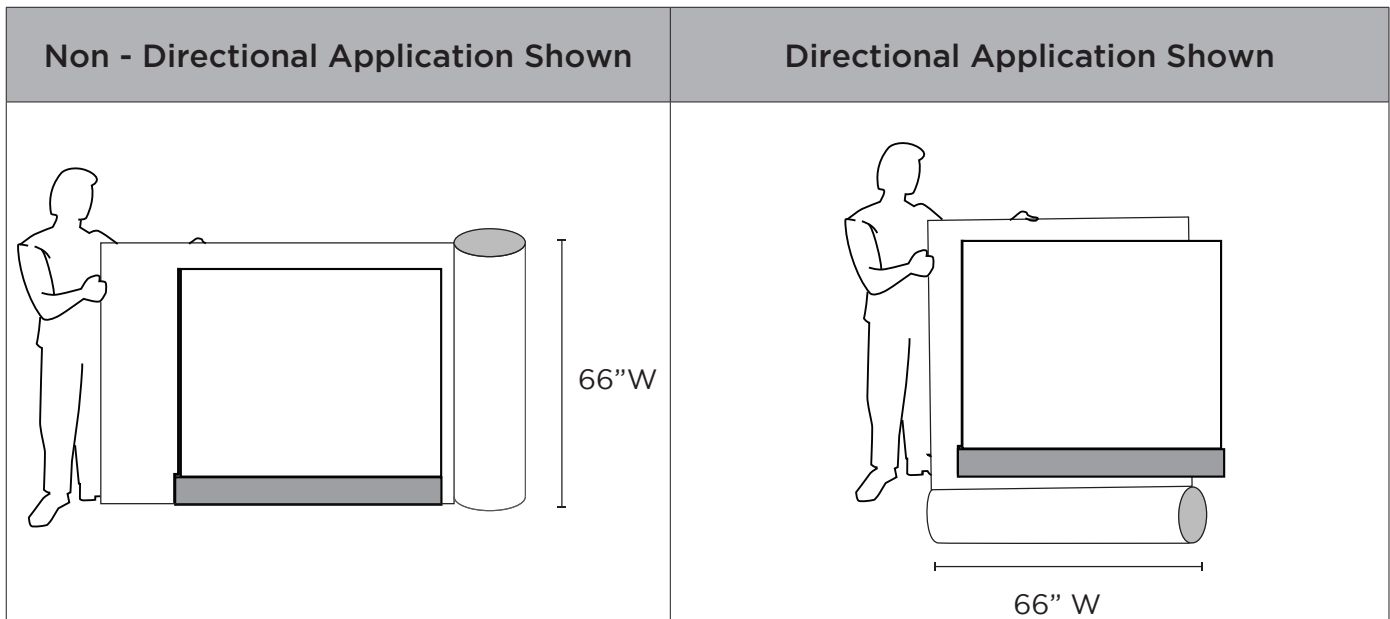
NOTES:

Please consult your Friant sales consultant for:

- Panels taller than 66" high
- Other colors not listed above
- System 2 is MAS Green Certified.

Pattern Direction

- Fabric direction is not always determined by the way the pattern is shown on memo sample.
- Certain product construction and sizes require fabric to be applied only Directionally or Non-Directionally.
- Some products have fabric applied either Directionally or Non-Directionally. (Upcharges may apply on some products, see price books for details).
- Please refer to our **Materials Reference Guide** on the Dealer Resource Center for specific pattern application defaults on all of our products: <http://dealers.friant.com/dealers/product-literature/>
- Our Customer Success Team is happy to answer any questions regarding fabric direction.



Standard Finishes

Use the matrix below to identify worksurface, hardpanel and edge finish options. Please note, worksurfaces finishes are matched as close as possible to hardsurface panel finishes, however there may be a difference in sheen. Order samples to confirm.

WORKSURFACE FINISHES		HARDSURFACE PANEL FINISHES		SUPPLIER	EDGE FINISHES (3MM PVC)	
M1	Light Maple	7909-60	Fusion Maple	Wilsonart	E1	Light Maple
M2	Light Cherry	7054-60	Wild Cherry	Wilsonart	E2	Light Cherry
M3	Medium Cherry	7924K-07	Biltmore Cherry	Wilsonart	E3	Medium Cherry
M4	Dark Mahogany	7040K-78	Figured Mahogany	Wilsonart	E4	Dark Mahogany
M6	Light Gray	D327-60	Pepperdust	Wilsonart	E6	Light Gray
M9	Cloud White	1573-60	Frosty White	Wilsonart	E9	Cloud White
M10	Espresso	7933K-07	Cafelle	Wilsonart	E10	Espresso
M11	Light Walnut	7937-60	River Cherry	Wilsonart	E14	Light Walnut
M12	Medium Walnut	7965K-12	Walnut Heights	Wilsonart	E15	Medium Walnut
M13	Licorice	FB3920	Licorice Groovz	Arauco	E13	Licorice
M14	Carob	FB3560	Driftwood	Arauco	E17	Carob
M16	Tundra	FB3930	Concrete Groovz	Arauco	E19	Tundra
M18	Capitan	FB3400	Aria	Arauco	E21	Capitan
M19	Fog	FB2100	Silver Frost	Arauco	E22	Fog
M20	Sandstone	FB2090	Shadow Frost	Arauco	E23	Sandstone
M23	Bark	FB3970	Stromboli	Arauco	E26	Bark
M25	Winter	FB2130	Fog Grey	Arauco	E28	Winter
M26	Storm	FB2000	Pewter Frost	Arauco	E29	Storm
M27	Medium Ash	8842	Weathered Ash	Formica	E30	Medium Ash
M28	Arctic	8841	White Ash	Formica	E31	Arctic
M29	Raven	1595-60	Black	Wilsonart	E32	Raven
M30	Barley	7850-60	Beigewood	Wilsonart	E33	Barley
M31	Camel	7954-60	Natural Rift	Wilsonart	E34	Camel
		D91-60	Slate Gray	Wilsonart		

Note

- When pairing a laminate worksurface finish with hardsurface panel finish, there is a small difference in sheen.
- Match edging to worksurface finish by NAME, not number, or submit order with Edge To Match (ETM).
- Additional charge of 55% of standard net to use Hardsurface Panel Finishes on worksurfaces. Additional discounting does not apply to upcharge.

Note

- Hard Surface Panel Finishes are the standard laminates offered for hardsurface panels and laminate end panels (ending in -LAM).

* Additional Edge Finishes

E11	Medium Tone
E12	Dark Tone

Contact suppliers directly for hardsurface panel **finish samples**.

Wilsonart

tel: 800-433-3222, <https://www.wilsonart.com/contact-us> ,

Formica

tel: 800-367-6422, <https://www.formica.com/en-us/collections/commercial-ranges>

Arauco

Samples can be ordered at <https://store.samplingproduct.com/8340>.

Trim/End Panel/Panel Glazing

PAINT TRIM

DT Dark Tone
MT Medium Tone
LG Light Gray

PANEL GLAZING

TR Clear (Default)
FR Frosted (Contact Customer
Success for leadtime)

END PANEL - MEL

M29 Dark Tone/ Black Umber
M99 Medium Tone
M6 Light Gray
M9 Cloud White
M19 Silver

Note: See page 103 for end panel options.

END PANEL EDGE - MEL

E32 Dark Tone/ Black Umber
E11 Medium Tone
E6 Light Gray
E9 Cloud White
E22 Silver

Note: See page 103 for end panel options.

MY-HITE PED FOAM CUSHION

Red
Charcoal
Café
Grey

MY-HITE COLOR PEDESTAL TOP

Green
Blue
Red

GROMMETS

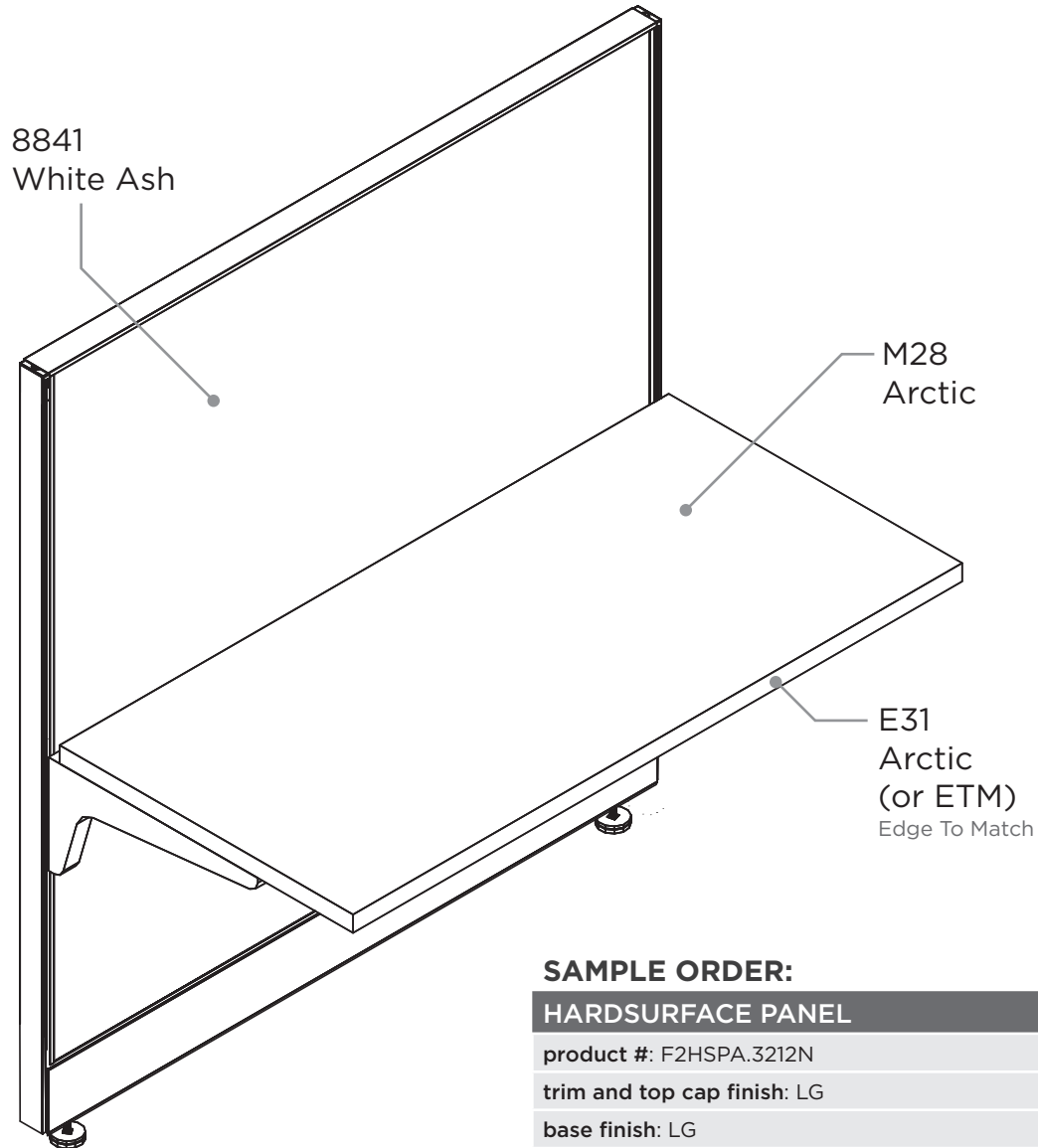
Grommet Color matches cantilever finish selected

PAINT FINISH	GROMMET
DT Dark Tone	Black
MT Medium Tone	Black
LG Light Gray	White

Note: grommets included on corner tops only, see item descriptions

Specifying Matching Worksurface and Hardsurface Panels

Pairing a worksurface finish with a hardsurface panel finish, use the matrix on page 9 to pick the standard finishes.



SAMPLE ORDER:

HARDSURFACE PANEL

product #: F2HSPA.3212N

trim and top cap finish: LG

base finish: LG

lamine finish (side 1): 8841 White Ash

lamine finish (side 2): FB3930 Concrete Groovz

WORKSURFACE

product #: FSERWS.2424L

worksurface finish: M28 Arctic

PVC edge: E31 Arctic

support finish: LG

Fixed and Mobile Pedestals

FRIANT pedestals are painted metal and available in a variety of options to meet different storage needs. Choose the type of storage, color (light gray, medium tone, dark tone), and pull that you prefer (page 15). Specify Pedestals starting on page 116.

SUPPORTING PEDESTALS

SUPPORTING PEDESTALS
(See page 116)

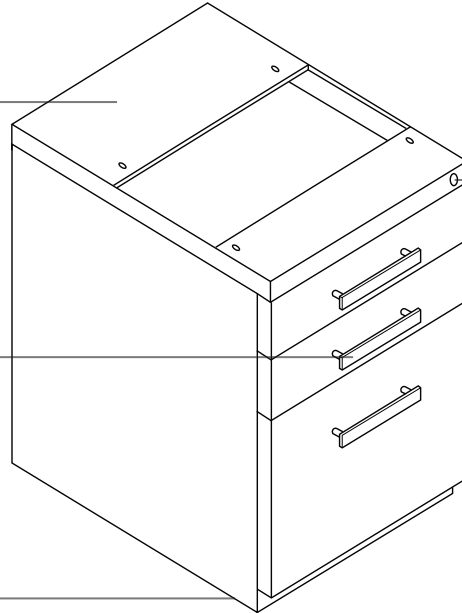
Top of pedestal is open to attach beneath the worksurface.

PULLS

FRIANT offers 4 different pull options to choose from (Default Bar Pull shown). (page 15)

LEVELLING GLIDES

Levelling glides allow you to install and level pedestal securely on uneven flooring.



LOCKING

Keyed alike option is available. (page 116)

FRONT TO BACK FILE BAR

Front to back file bar is included. Order side to side file bar separately for all pedestals. (page 117)

MOBILE PEDESTALS

BOX/FILE MOBILE PEDESTAL
(page 116)

Top of pedestal is finished.

LOCKING

Keyed alike option is available. (page 116)

OPTIONAL CUSHION

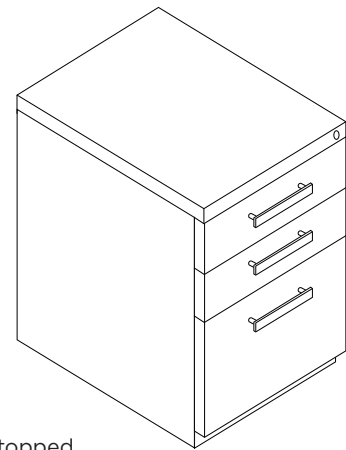
Mobile pedestals can be topped with a fabric covered cushion. (page 117)

NOTE:

- Box/Box/File and File/File can use cushion but will not fit under worktops at seated height.
- **Passage and Terrain fabric not available on cushion.** COM is an option.

BOX/BOX/FILE OR FILE/FILE MOBILE PEDESTAL
(page 116)

Top of pedestal is finished.



FRONT TO BACK FILE BAR

Front to back file bar is included. Order side to side file bar separately for all pedestals. (page 117)

BOX/FILE PEDESTALS

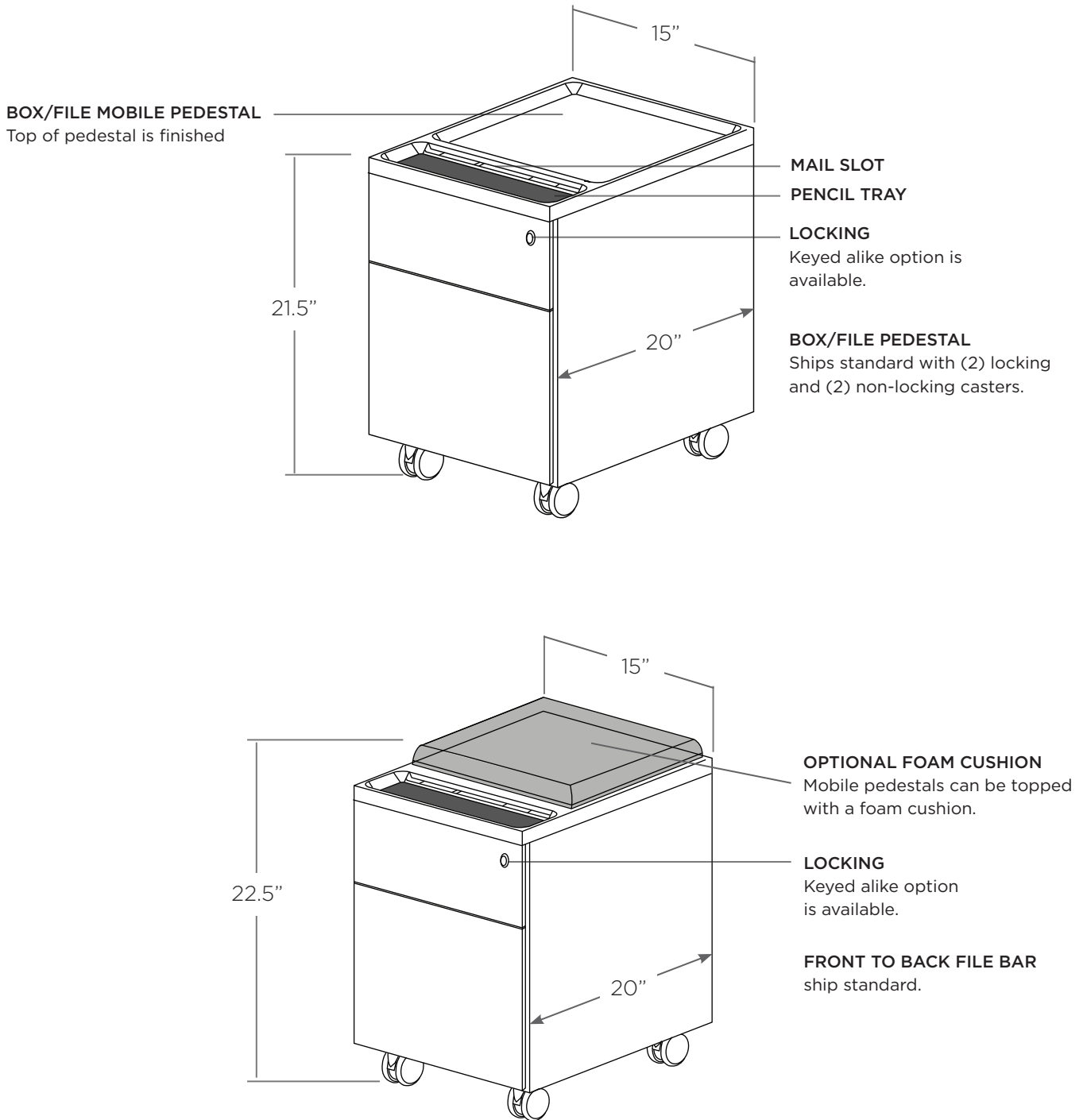
Ship standard with (2) locking and (2) non-locking casters.

NOTE:

- All Cloud White pedestals have standard; Light Grey/White casters, all other finish colors have Dark Grey casters.

My-Hite Mobile Pedestals

My-Hite pedestals are a compact storage option designed to fit under height adjustable tables at their lowest setting. Choose the color of the pedestal, and, as options, the color of the foam cushion and the color of the top cap. Pedestals include pencil tray, mail slot and keyed alike options for locks. Front to back file bars are included.



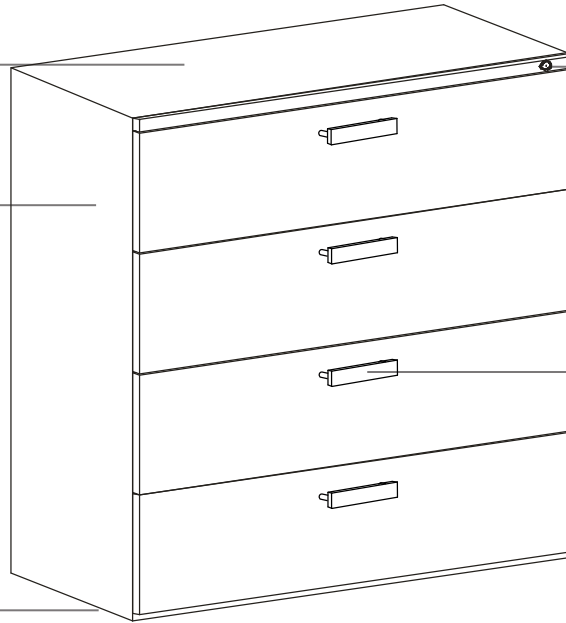
Lateral Files

FRIANT freestanding lateral files are painted metal and available in a variety of options to meet different storage needs. Choose color (silver, cloud white or black umber), and the type of pull (page 15) Specify Lateral Files starting on page 119.

TOP
Finished top cap

NOTE: 3 & 4 drawer lateral files must be bolted back-to-back or wall mounted for stability.

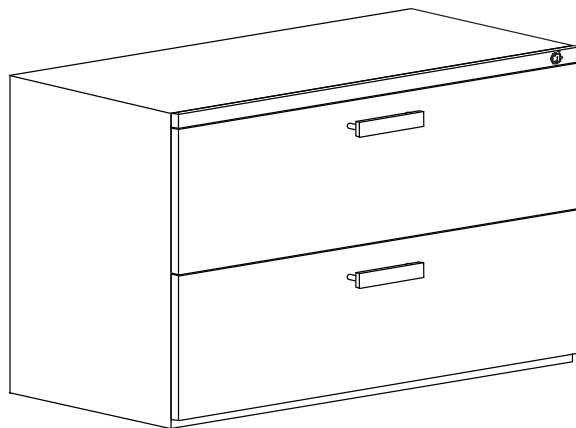
GLIDES
(4) Adjustable height glides included for levelling



LOCKING
Keyed alike option is available. (page 119)

PULLS
FRIANT offers 4 different pull options to choose from (Bar Pull shown) (page 15)

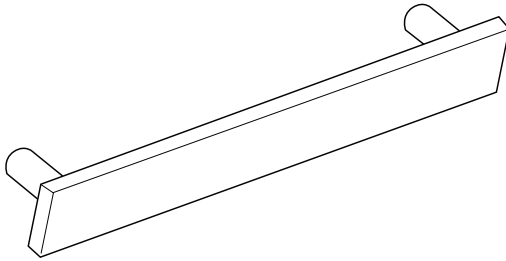
FRONT TO BACK FILE BAR
Side to side file bar is included. Order front to back file bar separately. (page 120)



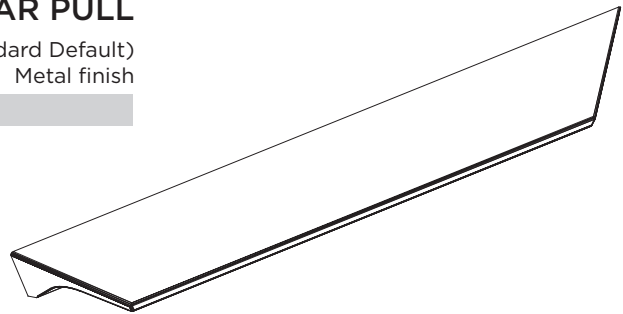
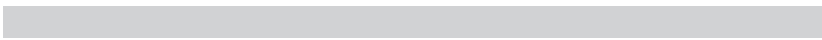
COUNTERWEIGHT
To convert two drawer lateral files to freestanding, order counterweight. (page 120)

Pull Options, Systems Storage

You have multiple pull options. Please specify type when ordering. If you have any questions, please contact Friant Customer Success or your local sales rep.

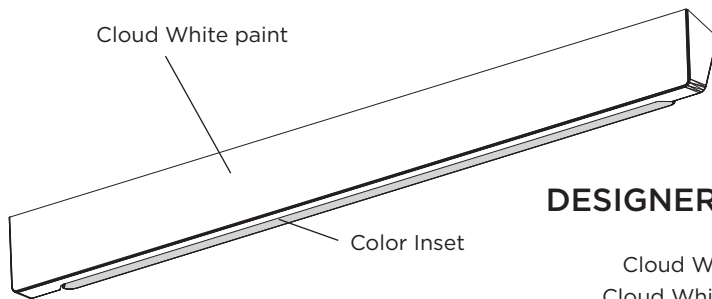


BAR PULL
(Standard Default)
Metal finish



WEDGE PULL

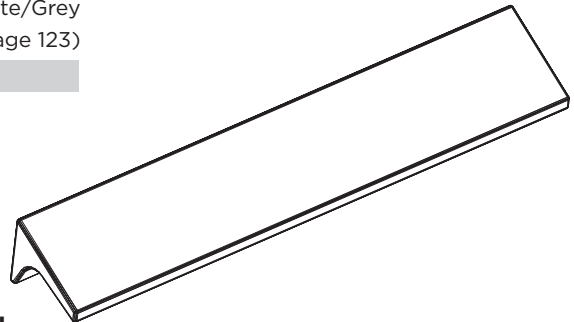
Brushed Aluminum
Black Umber
(Upcharge applies to metal storage. See page 123)



DESIGNER PULL

Cloud White/Red,
Cloud White/Green,
Cloud White/Grey

(Upcharge applies to metal storage. See page 123)

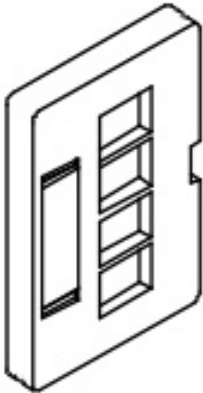
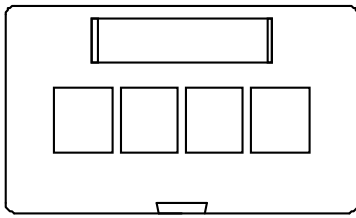


SLANT PULL

Brushed Aluminum
Black Umber
(Upcharge applies to metal storage. See page 123)



Data Port Plate



Product Description

PART #: F2DPP

This Data Port Faceplate is field configurable, flush-mounted onto the Panel Base Kickplate, and provides 1 to 4 flush-mount ports for a variety of snap-in connectors and adaptors.

Product Notes

- Installation and changes can be made without removing the Panel Base Kickplate
- Plates can be installed and removed without any tools
- Window ID provided with each Data Port Plate
- Release latch provides easy access to connections without any tools
- Blank inserts included with each Data Port Plate

Dimensions

HEIGHT: 2¹/₈"

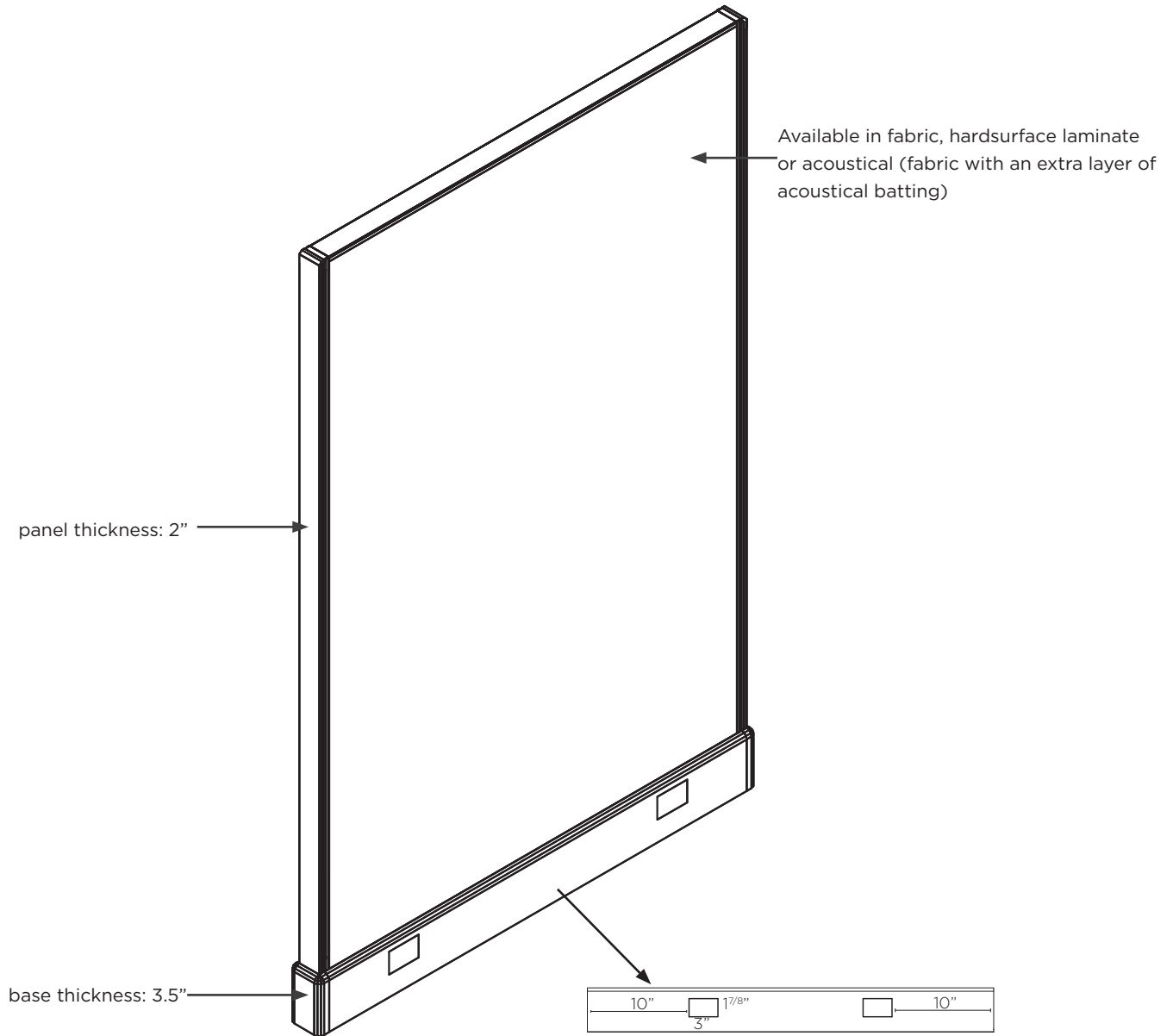
WIDTH: 3⁵/₈"

DEPTH: 0.25" (from face of Panel Base Kickplate)

MATERIAL: High impact plastic

Panel Details

System 2 monolithic panels are available powered and non-powered, with painted top caps and trim and leveling glides.



Knockout Locations

<ul style="list-style-type: none"> • Knockout: 3" x 1 7/8" • Accepts receptacles, data port plates or base infeeds • Knockouts are located 10" in from the edge of the panels 						
<table border="0"> <tr> <td>12", 18" wide</td> <td>no knockouts</td> </tr> <tr> <td>24" wide</td> <td>1 knockout</td> </tr> <tr> <td>30"- 60" wide</td> <td>2 knockouts</td> </tr> </table>	12", 18" wide	no knockouts	24" wide	1 knockout	30"- 60" wide	2 knockouts
12", 18" wide	no knockouts					
24" wide	1 knockout					
30"- 60" wide	2 knockouts					

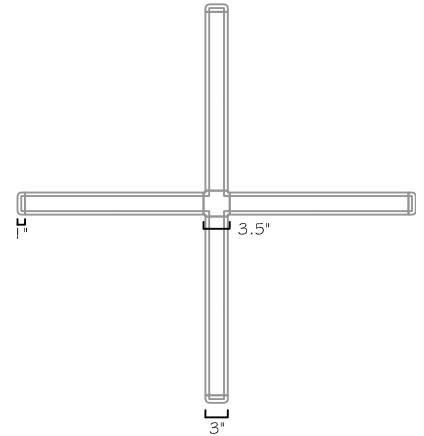
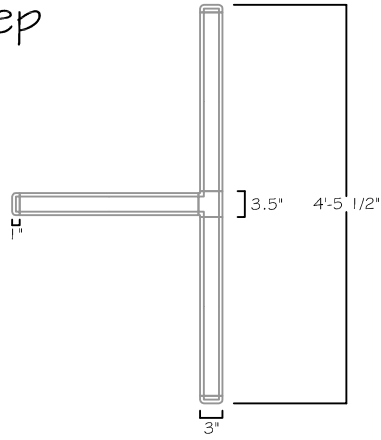
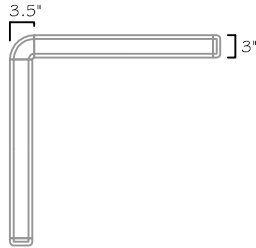
Panel Creep

2-Way

3-Way

4-Way

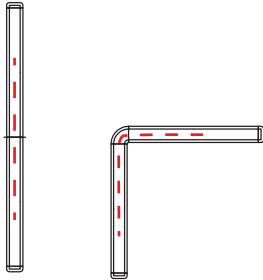
System 2 Panel Creep 24"W Panels



Festoons

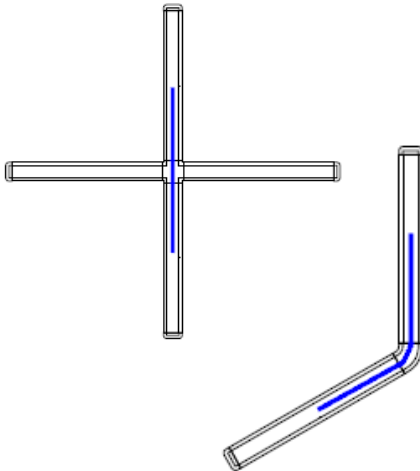
Festoons connect powered panels in a straight line or through connectors. All System 2 powered panels will come with a panel to panel festoon, which extends power in a straight line from panel to panel or at a 90° angle. Because these are included, there is no need to order them separately.

Festoons will only need to be ordered separately when bringing power in a straight line across a connector when the wing panels are non-powered. Please see below for details and specify festoons on page 58.



Panel to Panel Festoon

- Included with each powered panel
- Extends power in straight line from panel to panel.
- Extends power at a 90 degree angle through a 2-way, 3-way, or 4-way connector.



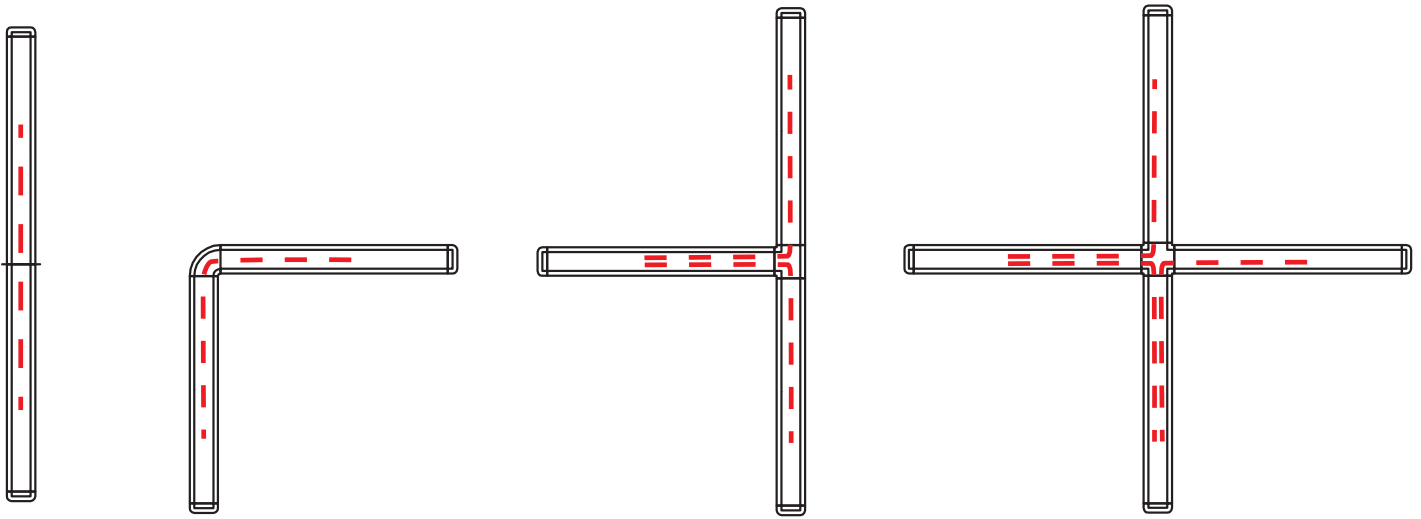
Pass Through Festoon

- Part number F2CPK.1 on page 58.
- Extends power in straight line through 3-way or 4-way connector
- Extends power through a 135° or 120° 2-way, 3-way connector.

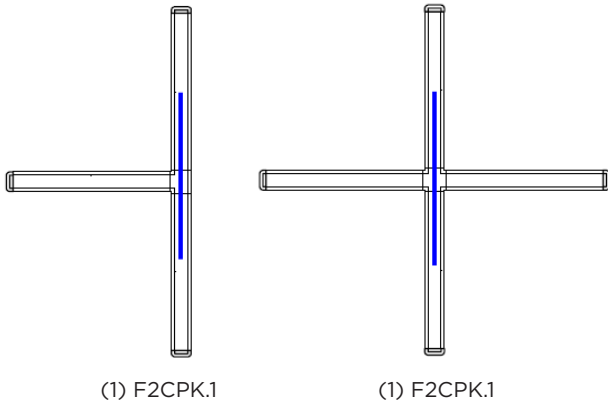
Festoons continued..

INTRODUCTION

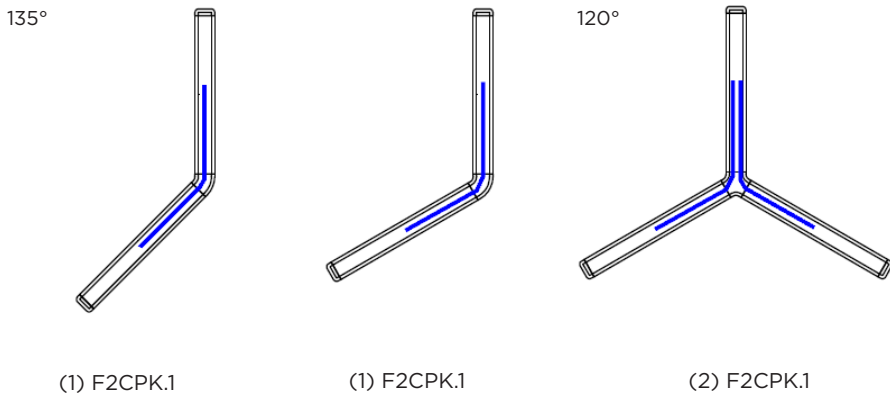
All Panels Powered - no additional festoons needed



Spine Power Only



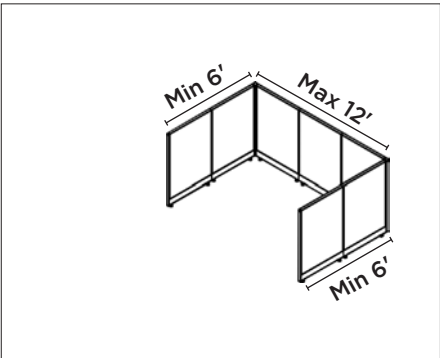
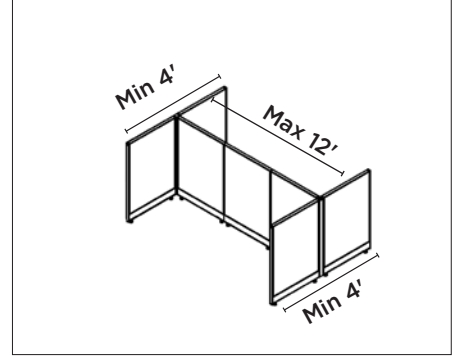
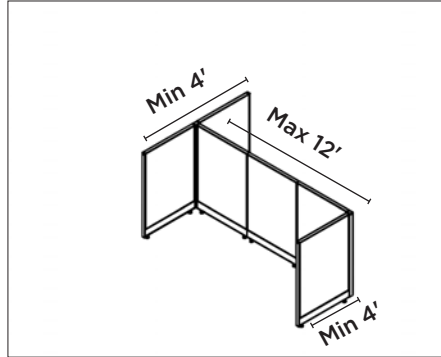
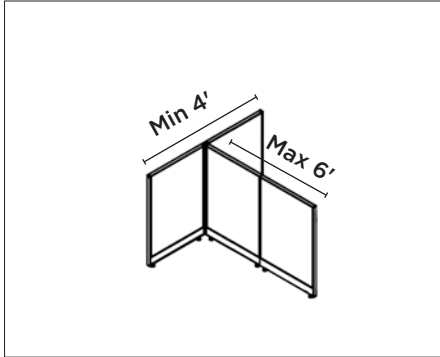
135° and 120°



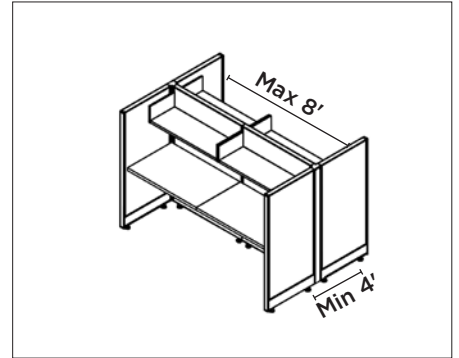
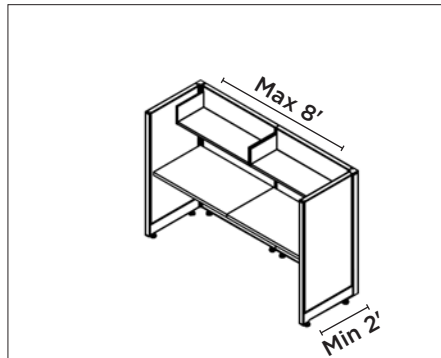
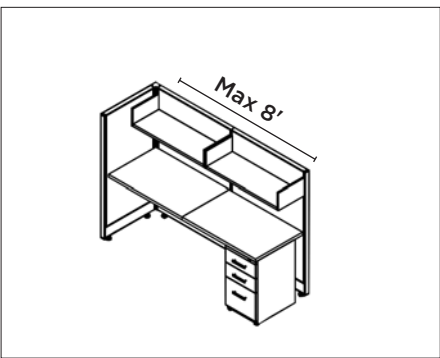
Maximum Panel Run - Recommended Guidelines

Panel runs need wall starts or wing panels for stability. Exceeding the recommended guidelines shown below may result in unstable panel configurations. Panels that are not properly supported will **yield** when pressure is applied.

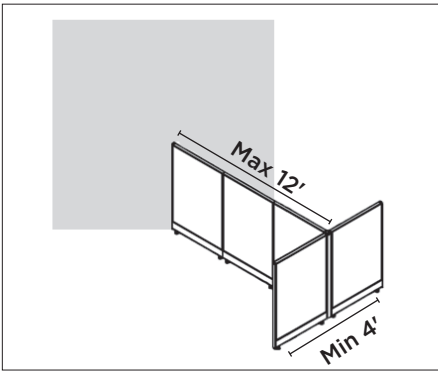
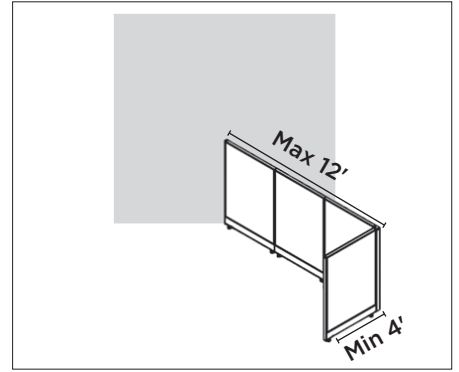
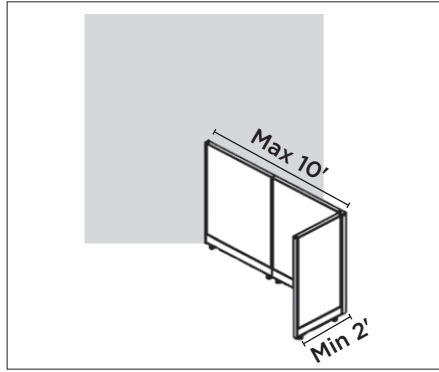
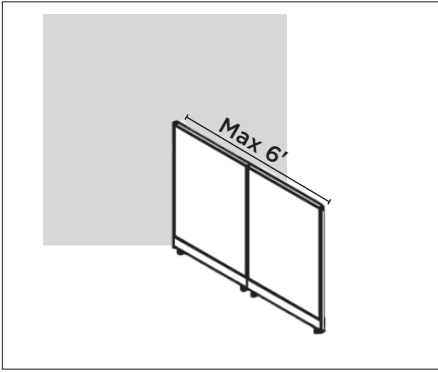
Freestanding



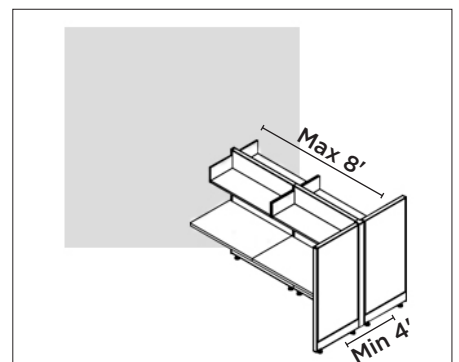
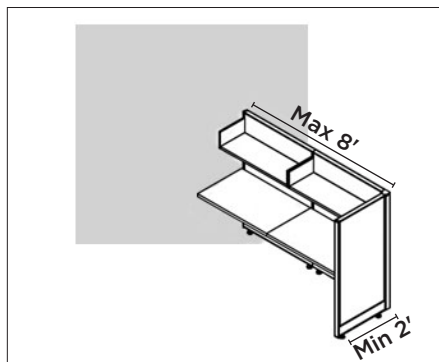
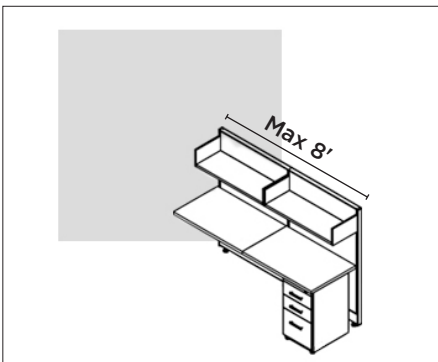
Freestanding with Components



Wall Start

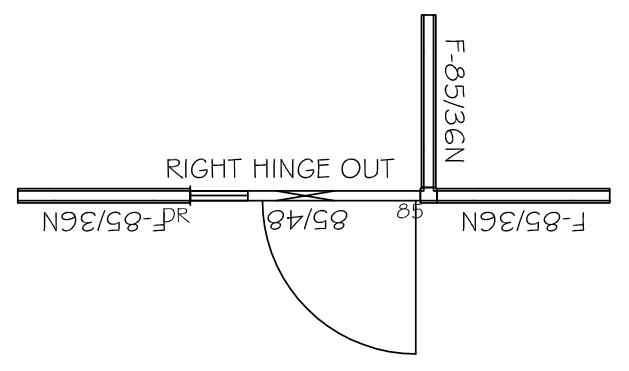
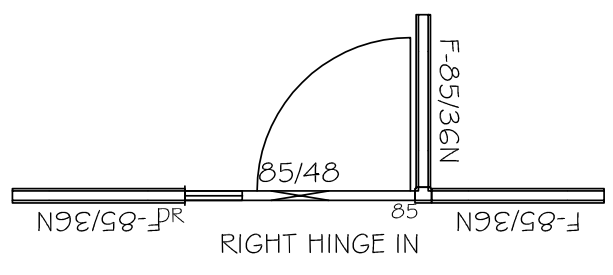
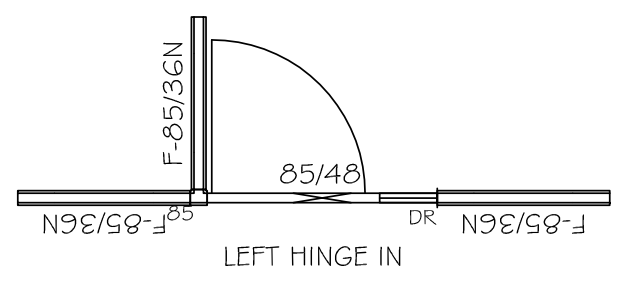
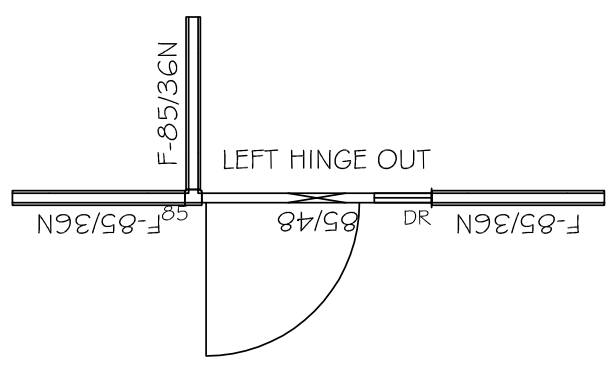


Wall Start with Components



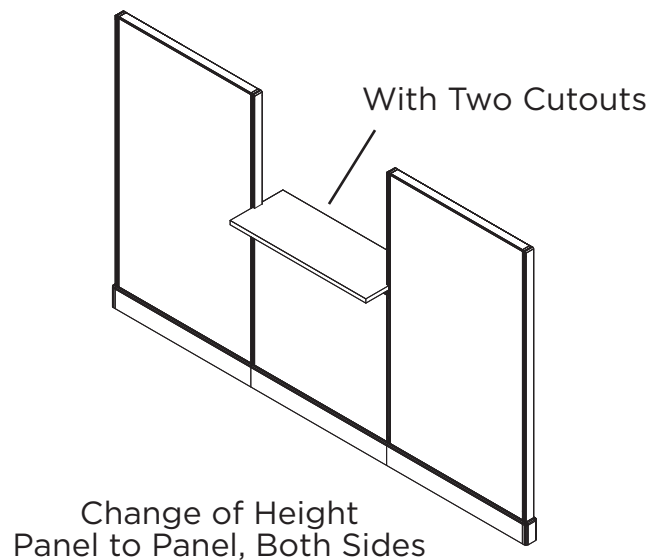
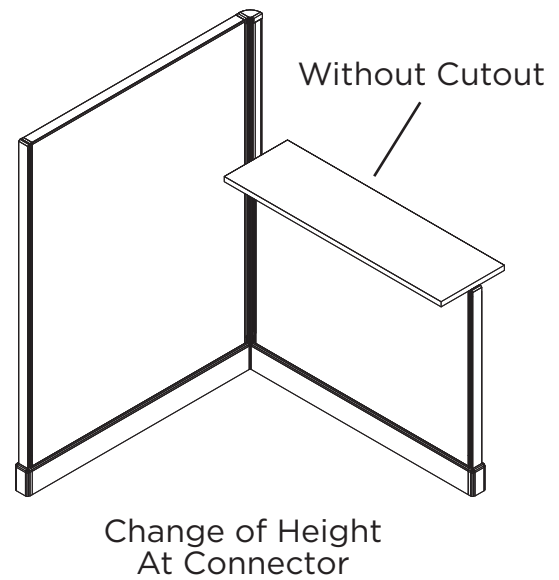
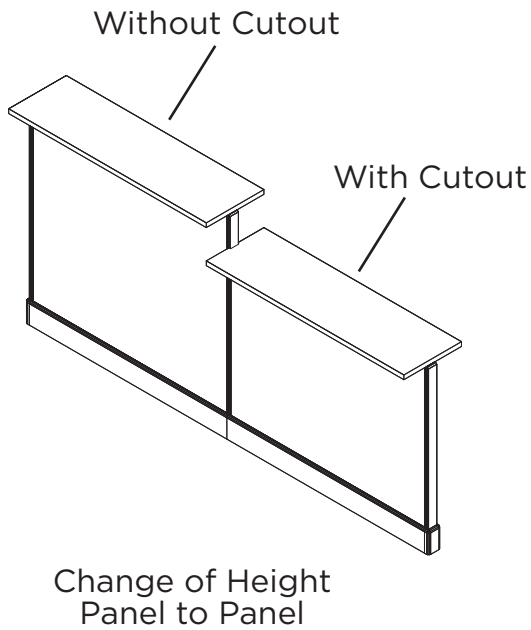
Door Swing Detail

System 2 doors are not handed at the the factory. Specify doors on page 50 and install handedness / swing in the field.



Transaction Tops - Change of Height

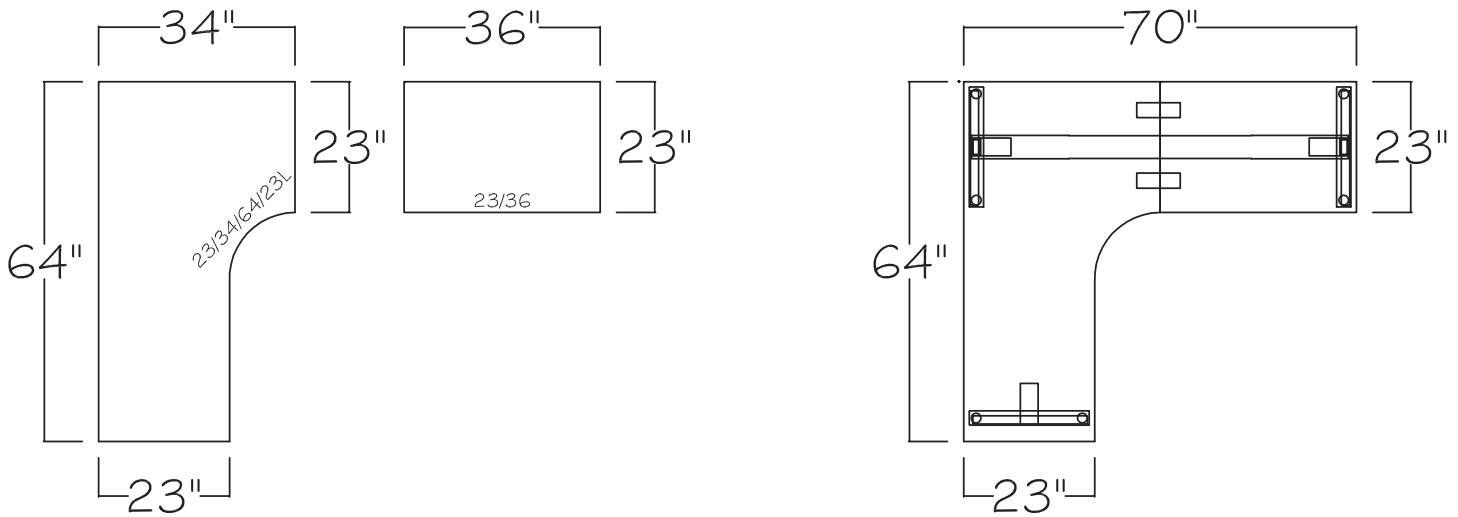
- Transaction supports do not need to be specified separately. Attachment hardware is included
- Rectangular transaction tops come in three types: without cutout, with cutout on one side, and with cutout on two sides
- Use transaction tops **without** cutout for:
 - Tops on the lower panel of a change of height at connector (cut trim above transaction top)
 - Tops on the taller panel of any change of height
- Use transaction tops **with** cutout for:
 - Tops on the lower panel of an in-line change of height, in order to accommodate the panel-to-panel change of height trim
- Use transaction tops **with** cutout on two sides for:
 - Tops on the lower panel between two taller panels, in order to accommodate the panel-to-panel change of height trim on both sides
- Specify transaction tops on page 91



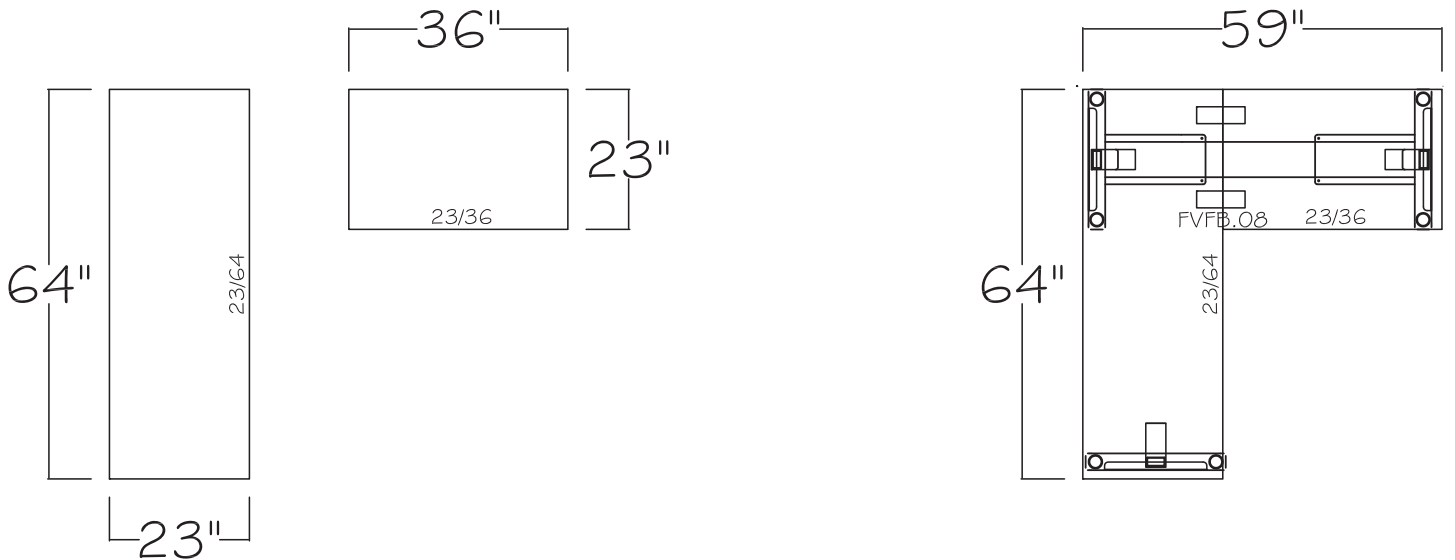
How To Specify My-Hite 2-Piece Extended Corner or Rectangular Tops

Use a FVFB.08 Flat Bracket pair to attach the two surfaces, making sure the seam is oriented so that it is supported by the continuous part of the My-Hite Corner Base. Maximum width combined: 84x84" (All My-Hite bases) or 72x96" (3 Stage base only). Specify the Rectangular Extension on page 98.

To create an extended corner My-Hite station, specify an Extended Curved Corner with a Rectangular Extension.



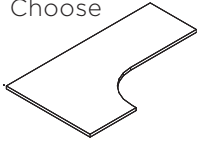
To create a two piece rectangular corner top, specify two rectangular tops, or a rectangular top and one rectangular extension.



Grommet Locations

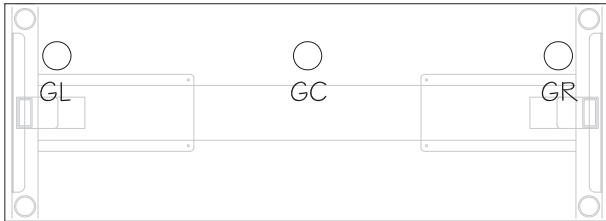
1 Select a My-Hite worksurface

My-Hite tops (starting on page 93) have optional grommets. (Please use the codes shown when specifying location of grommets). An upcharge of \$75 applies per grommet.

Choose	Specify Part #	Specify Finish
	FSECCWS.23345823R	Bark

2a Select a grommet location, Rectangular Tops

Specify location by using the designated codes



CODE POSITION

GL	4" from left side - 4" from rear
GC	Centered from side to side - 4" from rear
GR	4" from right side - 4" from rear
G1	Pair of grommets, GL and GR
G5	Three grommets, GL-GC-GR

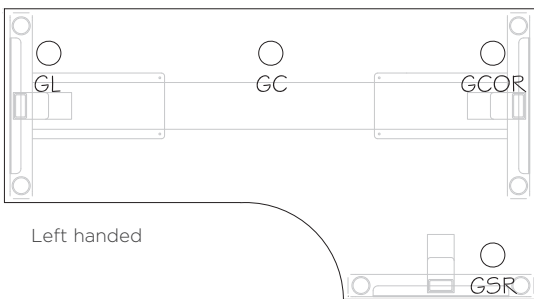
Dimensions are measured from grommet center

For other grommet locations, please call Friant customer success.

Grommets are 3" round with cover standard

2b Select a grommet location, Extended Corner Tops

Specify location by using the designated codes

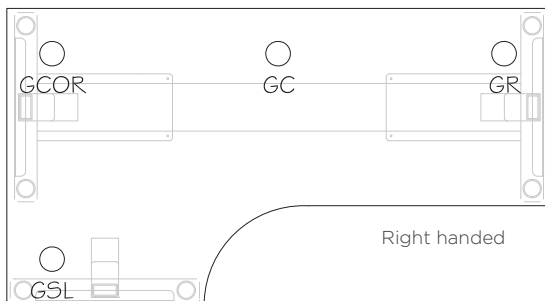


Left handed

Extended Corner, Left Handed

CODE POSITION

GL	4" from left side - 4" from rear
GC	Centered from side to side - 4" from rear
GCOR	Corner, 4" from Rear
GSR	4" from right side - 4" from rear



Right handed

Extended Corner, Right Handed

CODE POSITION

GCOR	Corner, 4" from Rear
GC	Centered from side to side - 4" from rear
GR	4" from right side - 4" from rear
GSL	4" from left side - 4" from rear

Dimensions are measured from grommet center

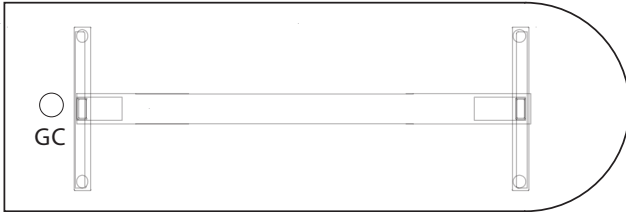
For other grommet locations, please call Friant customer success.

Grommets are 3" round with cover standard

Grommet Locations

2c Select a grommet location, D-Shaped Tops

Specify location by using the designated codes



CODE	POSITION
GC	Centered from side to side - 4" from rear

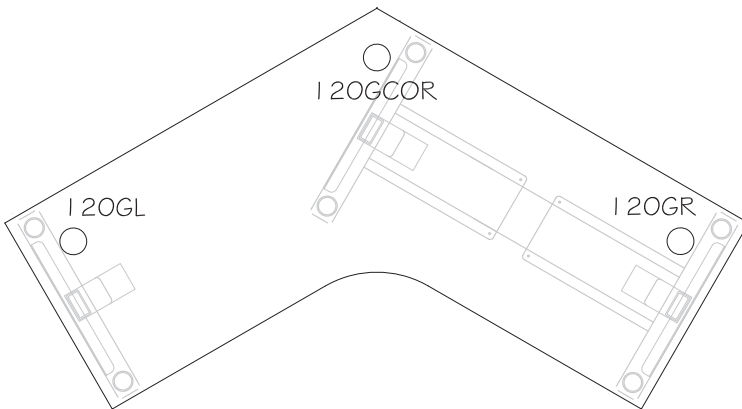
Dimensions are measured from grommet center

For other grommet locations, please call Friant customer success.

Grommets are 3" round with cover standard

2d Select a grommet location, 120° Tops

Specify location by using the designated codes



CODE	POSITION
120GL	4" from left side - 4" from rear
120GCOR	Corner - 4" from rear
120GR	4" from right side - 4" from rear

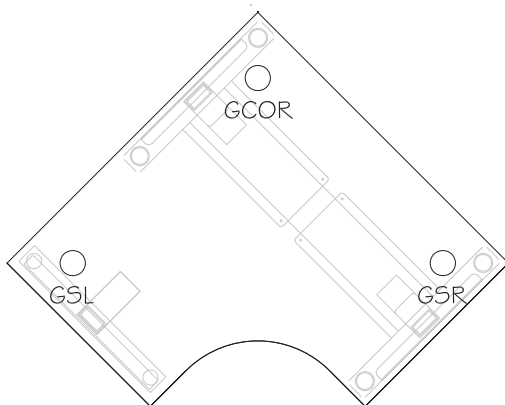
Dimensions are measured from grommet center

For other grommet locations, please call Friant customer success.

Grommets are 3" round with cover standard

2e Select a grommet location, 90° Equal Corners

Specify location by using the designated codes



CODE	POSITION
GSL	4" from left side - 4" from rear
GCOR	Corner - 4" from rear
GSR	4" from right side - 4" from rear

Dimensions are measured from grommet center

For other grommet locations, please call Friant Customer Success.

Grommets are 3" round with cover standard

Power Grommet Locations - Notch Cutouts, My-Hite Worksurfaces

FRIANT Power Grommet notch cutouts are required when specifying a Power Grommet on a worksurface supported by a My-Hite C-Leg adjustable height table base. Choose the size of power grommet (5x8 only) and cutout location (left, center or right). Specify Power Grommets on page 32 . An upcharge of \$75 applies for cutouts.

NOTE: Notch cutouts only available with 5x8 Power grommets and C-leg bases.

1 Select a My-Hite worksurface

My-Hite worksurfaces (starting on page 93)

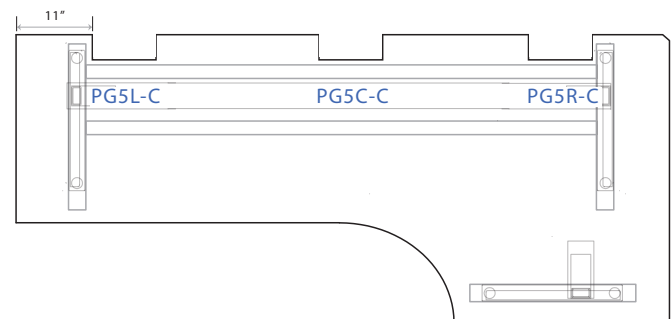
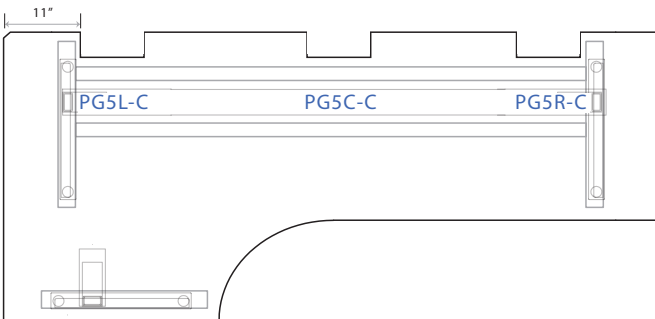
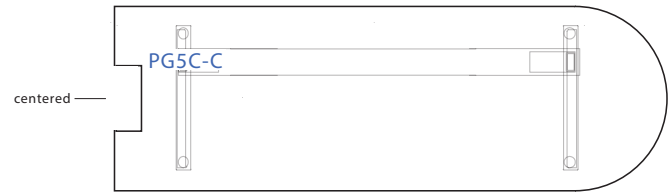
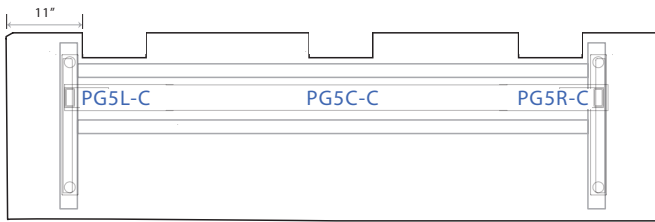
2 Select a power grommet notch cutout location

CODE POSITION (Specific to 78" and 84")

PG5L-C 11" from left side

PG5C-C Centered

PG5R-C 11" from right side



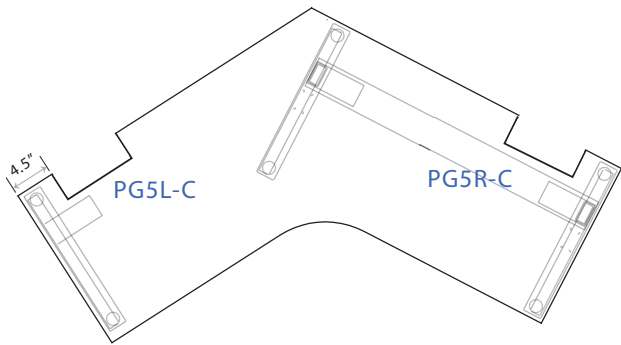
120° and 90° worksurfaces

CODE POSITION (Specific to 78" and 84")

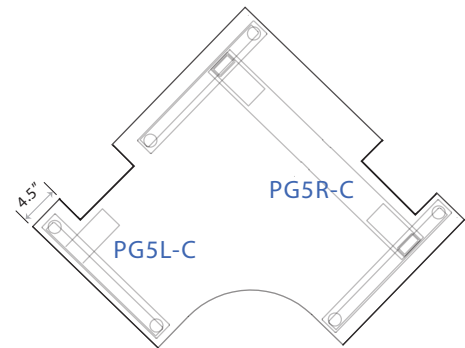
PG5L-C 4.5" from left side

PG5R-C 4.5" from right side

Positions for 120° worksurfaces:



Positions for 90° equal corner worksurfaces:



Power Grommet Locations - Interior Cutouts, My-Hite Worksurfaces

FRIANT Power Grommet interior cutouts are used when specifying a Power Grommet on a worksurface supported by a My-Hite T-Leg adjustable height table base. Choose the size of power grommet (5x8 or 6x8) and cutout location (left, center or right). Specify Power Grommets on page 32. An upcharge of \$75 applies for cutouts.

NOTE: Standard position Interior cutouts are not compatible with C-leg bases.

1 Select a My-Hite worksurface

My-Hite worksurfaces (starting on page 93)

2 Select a power grommet interior cutout location

CODE POSITION (Specific to 78" and 84")

PG6L 11" from left side, 1.5" from back

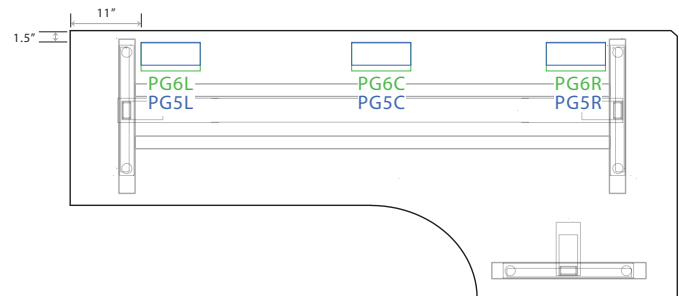
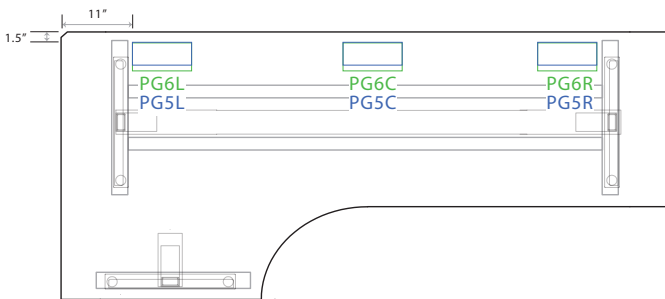
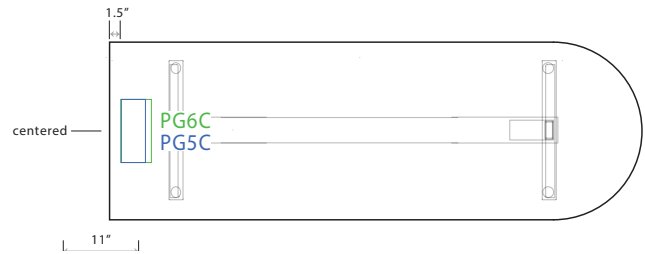
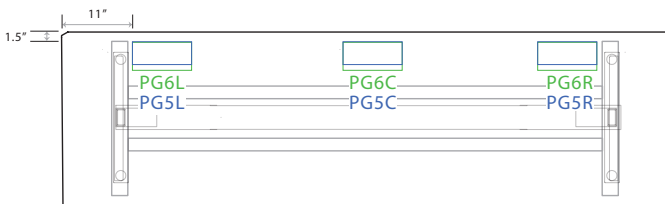
PG6C Centered, 1.5" from back

PG6R 11" from right side, 1.5" from back

PG5L 11" from left side, 1.5" from back

PG5C Centered, 1.5" from back

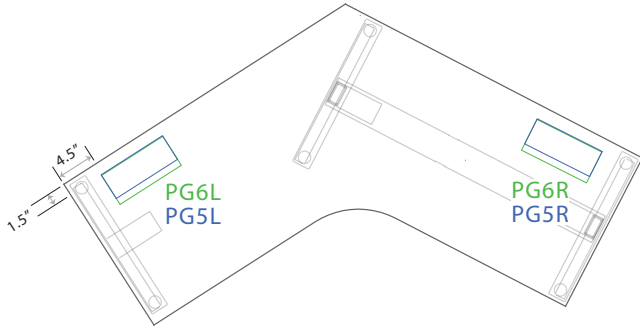
PG5R 11" from right side, 1.5" from back



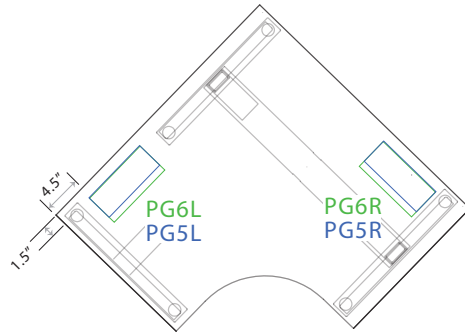
120° and 90° workspaces

CODE	POSITION (Specific to 120° and 90°)
PG6L	4.5" from left side, 1.5" from back
PG6R	4.5" from right side, 1.5" from back
PG5L	4.5" from left side, 1.5" from back
PG5R	4.5" from right side, 1.5" from back

Positions for 120° workspaces:



Positions for 90° equal corner workspaces:

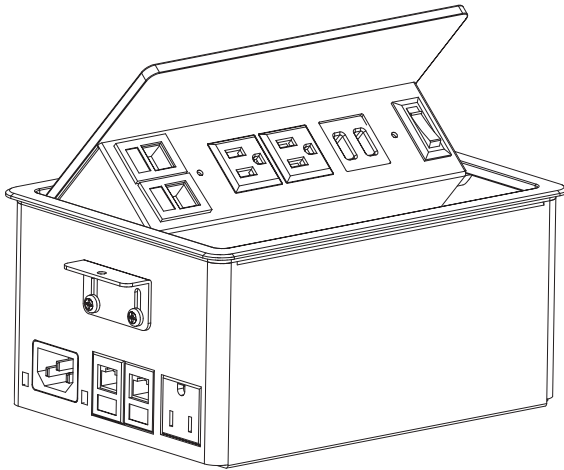


Power Grommet

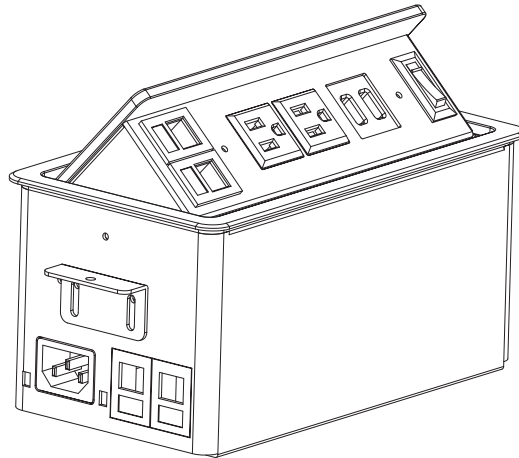
FRIANT power grommets are available to meet different worksurface power and data needs. Choose the color of the power grommet (brushed aluminum, brushed charcoal, or cloud white). Specify power grommets on page 60.

3 FINISHES AVAILABLE

Brushed aluminum, brushed charcoal and cloud white



INCLUDES SPRING CORD
(Not shown) For connection to power source



POWER GROMMETS

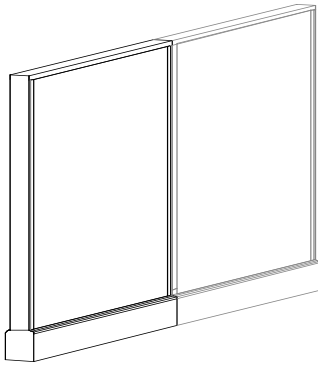
6x8

- (2) CAT6 Data Ports
- (4) Power Outlets
- (2) USB Ports

5x8

- (2) CAT6 Data Ports
- (3) Power Outlets
- (2) USB Ports

Hard-Surface Panel Non-Electrical



DESCRIPTION

Structural panel with laminate surfaces, painted top caps and trim, and leveling glides.

NOTES

- Order connectors and finished ends separately
- Add an additional 2 weeks to the standard lead time for laminate panels
- For matching worksurface to hardsurface panel, see page 11

SPECIFICATION OPTIONS

product #: see charts below
trim and top cap finish: LG Light Gray, MT Medium Tone, DT Dark Tone
base finish: MT Medium Tone, DT Dark Tone, LG Light Gray

laminate finish (side 1): see page 9
laminate finish (side 2, if applicable): see page 9

ORDER EXAMPLE

product #: F2HSPA.3212N
trim and top cap finish: LG
base finish: LG
laminate finish (side 1): FB2960 Mochatini
laminate finish (side 2): FB3400 Aria

32" HIGH

PART #	HEIGHT	WIDTH	DEPTH	WT. (LBS)	PRICE
F2HSPA.3212N	32"	12"	3.5"	18	\$439
F2HSPA.3218N	32"	18"	3.5"	20	\$439
F2HSPA.3224N	32"	24"	3.5"	21	\$516
F2HSPA.3230N	32"	30"	3.5"	24	\$621
F2HSPA.3236N	32"	36"	3.5"	27	\$727
F2HSPA.3242N	32"	42"	3.5"	30	\$795
F2HSPA.3248N	32"	48"	3.5"	34	\$825
F2HSPA.3260N	32"	60"	3.5"	40	\$993

NOTES

For matching worksurface to hardsurface panel, see page 11

39" HIGH

PART #	HEIGHT	WIDTH	DEPTH	WT. (LBS)	PRICE
F2HSPA.3912N	39"	12"	3.5"	22	\$415
F2HSPA.3918N	39"	18"	3.5"	24	\$595
F2HSPA.3924N	39"	24"	3.5"	26	\$704
F2HSPA.3930N	39"	30"	3.5"	27	\$855
F2HSPA.3936N	39"	36"	3.5"	31	\$998
F2HSPA.3942N	39"	42"	3.5"	36	\$1,093
F2HSPA.3948N	39"	48"	3.5"	39	\$1,127
F2HSPA.3960N	39"	60"	3.5"	46	\$1,371

NOTES

For matching worksurface to hardsurface panel, see page 11

47" HIGH

PART #	HEIGHT	WIDTH	DEPTH	WT. (LBS)	PRICE
F2HSPA.4712N	47"	12"	3.5"	25	\$447
F2HSPA.4718N	47"	18"	3.5"	26	\$632
F2HSPA.4724N	47"	24"	3.5"	29	\$751
F2HSPA.4730N	47"	30"	3.5"	33	\$906
F2HSPA.4736N	47"	36"	3.5"	38	\$1,053
F2HSPA.4742N	47"	42"	3.5"	41	\$1,116
F2HSPA.4748N	47"	48"	3.5"	47	\$1,156
F2HSPA.4760N	47"	60"	3.5"	53	\$1,388

NOTES

For matching worksurface to hardsurface panel, see page 11

53" HIGH

PART #	HEIGHT	WIDTH	DEPTH	WT. (LBS)	PRICE
F2HSPA.5312N	53"	12"	3.5"	26	\$458
F2HSPA.5318N	53"	18"	3.5"	30	\$648
F2HSPA.5324N	53"	24"	3.5"	32	\$768
F2HSPA.5330N	53"	30"	3.5"	38	\$925
F2HSPA.5336N	53"	36"	3.5"	41	\$1,081
F2HSPA.5342N	53"	42"	3.5"	44	\$1,178
F2HSPA.5348N	53"	48"	3.5"	51	\$1,214
F2HSPA.5360N	53"	60"	3.5"	57	\$1,479

NOTES

For matching worksurface to hardsurface panel, see page 11

62" HIGH

PART #	HEIGHT	WIDTH	DEPTH	WT. (LBS)	PRICE
F2HSPA.6212N	62"	12"	3.5"	28	\$539
F2HSPA.6218N	62"	18"	3.5"	32	\$768
F2HSPA.6224N	62"	24"	3.5"	36	\$909
F2HSPA.6230N	62"	30"	3.5"	42	\$1,057
F2HSPA.6236N	62"	36"	3.5"	47	\$1,275
F2HSPA.6242N	62"	42"	3.5"	51	\$1,395
F2HSPA.6248N	62"	48"	3.5"	58	\$1,449
F2HSPA.6260N	62"	60"	3.5"	66	\$1,768

NOTES

For matching worksurface to hardsurface panel, see page 11

67" HIGH

PART #	HEIGHT	WIDTH	DEPTH	WT. (LBS)	PRICE
F2HSPA.6712N	67"	12"	3.5"	30	\$615
F2HSPA.6718N	67"	18"	3.5"	34	\$888
F2HSPA.6724N	67"	24"	3.5"	40	\$1,039
F2HSPA.6730N	67"	30"	3.5"	46	\$1,217
F2HSPA.6736N	67"	36"	3.5"	51	\$1,421
F2HSPA.6742N	67"	42"	3.5"	57	\$1,580
F2HSPA.6748N	67"	48"	3.5"	64	\$1,623
F2HSPA.6760N	67"	60"	3.5"	74	\$2,037

NOTES

For matching worksurface to hardsurface panel, see page 11

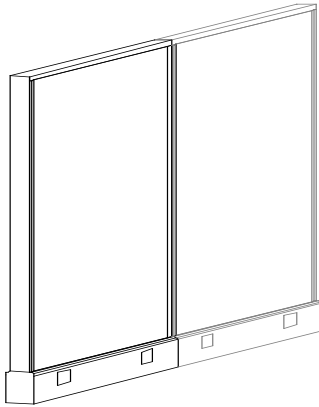
85" HIGH

PART #	HEIGHT	WIDTH	DEPTH	WT. (LBS)	PRICE
F2HSPA.8512N	85"	12"	3.5"	25	\$767
F2HSPA.8518N	85"	18"	3.5"	26	\$1,114
F2HSPA.8524N	85"	24"	3.5"	29	\$1,319
F2HSPA.8530N	85"	30"	3.5"	33	\$1,603
F2HSPA.8536N	85"	36"	3.5"	38	\$1,872
F2HSPA.8542N	85"	42"	3.5"	41	\$2,067
F2HSPA.8548N	85"	48"	3.5"	47	\$2,133
F2HSPA.8560N	85"	60"	3.5"	86	\$2,604

NOTES

For matching worksurface to hardsurface panel, see page 11

Hard-Surface Panel Electrical



DESCRIPTION

Structural panel with laminate surfaces, painted top caps and trim, leveling glides, 4-circuit power installed in cable management raceway covers.

NOTES

- 12" and 18" wide panels have no receptacle. 24" wide panels have one receptacle per side.
- 30"- 60" wide panels have two receptacle locations per side.
- 12" and 18" wide panels have a panel pass-through power jumper.
- Order receptacles, connectors, connector power kit and finished ends separately.
- Add an additional 2 weeks to the standard lead time for laminate panels
- For matching worksurface to hardsurface panel, see page 11.

SPECIFICATION OPTIONS

product #: see charts below
trim and top cap finish: LG Light Gray, MT Medium Tone, DT Dark Tone
base finish: MT Medium Tone, DT Dark Tone, LG Light Gray

laminate finish (side 1): see page 9
laminate finish (side 2, if applicable): see page

ORDER EXAMPLE

product #: F2HSPA.3212E
trim and top cap finish: LG
base finish: LG
laminate finish (side 1): FB2960 Mochatini
laminate finish (side 2): FB3400 Aria

32" HIGH

PART #	HEIGHT	WIDTH	DEPTH	WT. (LBS)	PRICE
F2HSPA.3212E	32"	12"	3.5"	19	\$597
F2HSPA.3218E	32"	18"	3.5"	21	\$597
F2HSPA.3224E	32"	24"	3.5"	22	\$675
F2HSPA.3230E	32"	30"	3.5"	25	\$807
F2HSPA.3236E	32"	36"	3.5"	29	\$934
F2HSPA.3242E	32"	42"	3.5"	32	\$1,027
F2HSPA.3248E	32"	48"	3.5"	37	\$1,082
F2HSPA.3260E	32"	60"	3.5"	45	\$1,300

NOTES

For matching worksurface to hardsurface panel, see page 11

39" HIGH

PART #	HEIGHT	WIDTH	DEPTH	WT. (LBS)	PRICE
F2HSPA.3912E	39"	12"	3.5"	23	\$575
F2HSPA.3918E	39"	18"	3.5"	25	\$753
F2HSPA.3924E	39"	24"	3.5"	27	\$863
F2HSPA.3930E	39"	30"	3.5"	29	\$1,040
F2HSPA.3936E	39"	36"	3.5"	33	\$1,202
F2HSPA.3942E	39"	42"	3.5"	38	\$1,325
F2HSPA.3948E	39"	48"	3.5"	42	\$1,383
F2HSPA.3960E	39"	60"	3.5"	51	\$1,679

NOTES

For matching worksurface to hardsurface panel, see page 11

47" HIGH

PART #	HEIGHT	WIDTH	DEPTH	WT. (LBS)	PRICE
F2HSPA.4712E	47"	12"	3.5"	25	\$606
F2HSPA.4718E	47"	18"	3.5"	27	\$791
F2HSPA.4724E	47"	24"	3.5"	30	\$910
F2HSPA.4730E	47"	30"	3.5"	35	\$1,093
F2HSPA.4736E	47"	36"	3.5"	40	\$1,260
F2HSPA.4742E	47"	42"	3.5"	43	\$1,348
F2HSPA.4748E	47"	48"	3.5"	50	\$1,413
F2HSPA.4760E	47"	60"	3.5"	58	\$1,696

NOTES

For matching worksurface to hardsurface panel, see page 11

53" HIGH

PART #	HEIGHT	WIDTH	DEPTH	WT. (LBS)	PRICE
F2HSPA.5312E	53"	12"	3.5"	27	\$616
F2HSPA.5318E	53"	18"	3.5"	31	\$807
F2HSPA.5324E	53"	24"	3.5"	33	\$929
F2HSPA.5330E	53"	30"	3.5"	40	\$1,110
F2HSPA.5336E	53"	36"	3.5"	43	\$1,286
F2HSPA.5342E	53"	42"	3.5"	47	\$1,410
F2HSPA.5348E	53"	48"	3.5"	53	\$1,469
F2HSPA.5360E	53"	60"	3.5"	62	\$1,787

NOTES

For matching worksurface to hardsurface panel, see page 11

62" HIGH

PART #	HEIGHT	WIDTH	DEPTH	WT. (LBS)	PRICE
F2HSPA.6212E	62"	12"	3.5"	29	\$699
F2HSPA.6218E	62"	18"	3.5"	33	\$926
F2HSPA.6224E	62"	24"	3.5"	36	\$975
F2HSPA.6230E	62"	30"	3.5"	44	\$1,244
F2HSPA.6236E	62"	36"	3.5"	49	\$1,479
F2HSPA.6242E	62"	42"	3.5"	54	\$1,626
F2HSPA.6248E	62"	48"	3.5"	61	\$1,704
F2HSPA.6260E	62"	60"	3.5"	71	\$2,076

NOTES

For matching worksurface to hardsurface panel, see page 11

67" HIGH

PART #	HEIGHT	WIDTH	DEPTH	WT. (LBS)	PRICE
F2HSPA.6712E	67"	12"	3.5"	31	\$775
F2HSPA.6718E	67"	18"	3.5"	35	\$1,046
F2HSPA.6724E	67"	24"	3.5"	41	\$1,199
F2HSPA.6730E	67"	30"	3.5"	47	\$1,404
F2HSPA.6736E	67"	36"	3.5"	53	\$1,626
F2HSPA.6742E	67"	42"	3.5"	59	\$1,811
F2HSPA.6748E	67"	48"	3.5"	67	\$1,879
F2HSPA.6760E	67"	60"	3.5"	79	\$2,344

NOTES

For matching worksurface to hardsurface panel, see page 11

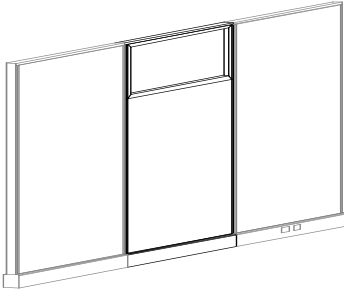
85" HIGH

PART #	HEIGHT	WIDTH	DEPTH	WT. (LBS)	PRICE
F2HSPA.8512E	85"	12"	3.5"	39	\$925
F2HSPA.8518E	85"	18"	3.5"	42	\$1,271
F2HSPA.8524E	85"	24"	3.5"	50	\$1,482
F2HSPA.8530E	85"	30"	3.5"	59	\$1,790
F2HSPA.8536E	85"	36"	3.5"	67	\$2,077
F2HSPA.8542E	85"	42"	3.5"	75	\$2,300
F2HSPA.8548E	85"	48"	3.5"	84	\$2,389
F2HSPA.8560E	85"	60"	3.5"	91	\$2,912

NOTES

For matching worksurface to hardsurface panel, see page 11

Hard-Surface Glazed Panel Non-Electrical



DESCRIPTION

Structural panel with laminate lower surfaces and 14" high tempered glass top section, painted top caps and trim, leveling glides, and cable management side covers.

NOTES

- Order connectors and finished ends separately.
- Add an additional 2 weeks to the standard lead time for laminate panels.
- Cannot be used as dry erase surface.
- For matching worksurface to hardsurface panel, see page 11

SPECIFICATION OPTIONS

product #: see charts below
trim and top cap finish: LG Light Gray, MT Medium Tone, DT Dark Tone
base finish: MT Medium Tone, DT Dark Tone, LG Light Gray
panel glazing: TR Clear, FR Frosted
laminate finish (side 1): see page 9
laminate finish (side 2, if applicable): see page 9

ORDER EXAMPLE

product #: F2PGHSPA.5312N
trim and top cap finish: LG
base finish: LG
panel glazing: TR Clear
laminate finish (side 1): FB2960 Mochatini
laminate finish (side 2): FB3400 Aria

53" HIGH

PART #	HEIGHT	WIDTH	DEPTH	WT. (LBS)	PRICE
F2PGHSPA.5324N	53"	24"	3.5"	32	\$1,117
F2PGHSPA.5330N	53"	30"	3.5"	38	\$1,273
F2PGHSPA.5336N	53"	36"	3.5"	41	\$1,429
F2PGHSPA.5342N	53"	42"	3.5"	44	\$1,529
F2PGHSPA.5348N	53"	48"	3.5"	51	\$1,564
F2PGHSPA.5360N	53"	60"	3.5"	57	\$1,830

NOTES

For matching worksurface to hardsurface panel, see page 11

67" HIGH

PART #	HEIGHT	WIDTH	DEPTH	WT. (LBS)	PRICE
F2PGHSPA.6724N	67"	24"	3.5"	40	\$1,387
F2PGHSPA.6730N	67"	30"	3.5"	46	\$1,566
F2PGHSPA.6736N	67"	36"	3.5"	51	\$1,770
F2PGHSPA.6742N	67"	42"	3.5"	57	\$1,928
F2PGHSPA.6748N	67"	48"	3.5"	64	\$1,971
F2PGHSPA.6760N	67"	60"	3.5"	74	\$2,386

NOTES

For matching worksurface to hardsurface panel, see page 11

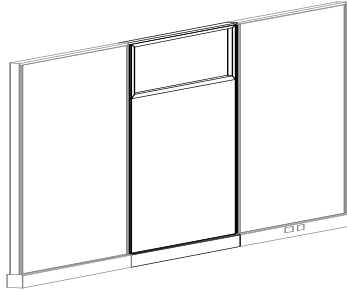
85" HIGH

PART #	HEIGHT	WIDTH	DEPTH	WT. (LBS)	PRICE
F2PGHSPA.8524N	85"	24"	3.5"	29	\$1,669
F2PGHSPA.8530N	85"	30"	3.5"	33	\$1,951
F2PGHSPA.8536N	85"	36"	3.5"	38	\$2,221
F2PGHSPA.8542N	85"	42"	3.5"	41	\$2,417
F2PGHSPA.8548N	85"	48"	3.5"	47	\$2,482
F2PGHSPA.8560N	85"	60"	3.5"	86	\$2,954

NOTES

For matching worksurface to hardsurface panel, see page 11

Hard-Surface Partial Glazed Panel Electrical



DESCRIPTION

Structural panel with laminate lower surfaces and 14" high tempered glass top section, painted top caps and trim, leveling glides, 4-circuit power installed in cable management raceway covers.

NOTES

- 24" wide panels have one receptacle per side.
- 30" and 60" wide panels have two receptacle locations per side.
- Order receptacles separately.
- Order connectors and finished ends separately.
- Order connector power kit separately.
- Add an additional 2 weeks to the standard lead time for laminate panels
- Cannot be used as dry erase surface.
- For matching surface to hardsurface panel, see page 11

SPECIFICATION OPTIONS

product #: see charts below
trim and top cap finish: LG Light Gray, MT Medium Tone, DT Dark Tone
base finish: MT Medium Tone, DT Dark Tone, LG Light Gray
panel glazing: TR Clear, FR Frosted
laminate finish (side 1): see page 9
laminate finish (side 2, if applicable): see page 9

ORDER EXAMPLE

product #: F2PGHSPA.5312E
trim and top cap finish: LG
base finish: LG
panel glazing: TR Clear
laminate finish (side 1): FB2960 Mochatini
laminate finish (side 2): FB3400 Aria

53" HIGH

PART #	HEIGHT	WIDTH	DEPTH	WT. (LBS)	PRICE
F2PGHSPA.5324E	53"	24"	3.5"	33	\$1,277
F2PGHSPA.5330E	53"	30"	3.5"	40	\$1,460
F2PGHSPA.5336E	53"	36"	3.5"	43	\$1,634
F2PGHSPA.5342E	53"	42"	3.5"	47	\$1,760
F2PGHSPA.5348E	53"	48"	3.5"	53	\$1,818
F2PGHSPA.5360E	53"	60"	3.5"	62	\$2,135

NOTES

For matching worksurface to hardsurface panel, see page 11

67" HIGH

PART #	HEIGHT	WIDTH	DEPTH	WT. (LBS)	PRICE
F2PGHSPA.6724E	67"	24"	3.5"	41	\$2,135
F2PGHSPA.6730E	67"	30"	3.5"	47	\$1,754
F2PGHSPA.6736E	67"	36"	3.5"	53	\$1,975
F2PGHSPA.6742E	67"	42"	3.5"	59	\$2,160
F2PGHSPA.6748E	67"	48"	3.5"	67	\$2,228
F2PGHSPA.6760E	67"	60"	3.5"	79	\$2,694

NOTES

For matching worksurface to hardsurface panel, see page 11

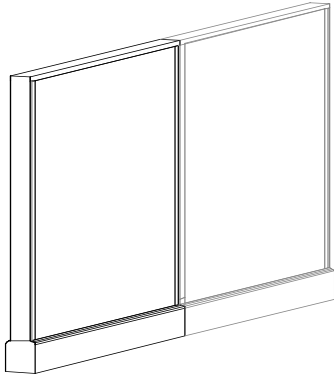
85" HIGH

PART #	HEIGHT	WIDTH	DEPTH	WT. (LBS)	PRICE
F2PGHSPA.8524E	85"	24"	3.5"	50	\$1,831
F2PGHSPA.8530E	85"	30"	3.5"	59	\$2,140
F2PGHSPA.8536E	85"	36"	3.5"	67	\$2,427
F2PGHSPA.8542E	85"	42"	3.5"	75	\$2,648
F2PGHSPA.8548E	85"	48"	3.5"	84	\$2,738
F2PGHSPA.8560E	85"	60"	3.5"	91	\$3,261

NOTES

For matching worksurface to hardsurface panel, see page 11

Fabric-Covered Panel Non-Electrical



DESCRIPTION

Structural panel with fabric surfaces, painted top caps and trim, leveling glides, and cable management side covers.

NOTES

- Order connectors and finished ends separately.
- Standard fabric application for panels 67" and below is Non-Directional application.
- Panels taller than 67" are only available in Directional application.
- When ordering panels 67" and below to match a panel taller than 67", specify Group 5 for Directional application.
- See page 8 for more details.

SPECIFICATION OPTIONS

product #: see charts below
trim and top cap finish: LG Light Gray, MT Medium Tone, DT Dark Tone
base finish: MT Medium Tone, DT Dark Tone, LG Light Gray
fabric (side 1): see page 6
fabric (side 2, if applicable): see page 6

ORDER EXAMPLE

product #: F2FAPA.3212N
trim and top cap finish: LG
base finish: DT
fabric (side 1): PF401-1 Silky - Natural
fabric (side 2): PF401-2 Silky - Parids

32" HIGH

PART #	HEIGHT	WIDTH	DEPTH	WT. (LBS)	PRICE	GROUP 5 UPCHARGE
F2FAPA.3212N	32"	12"	3.5"	18	\$402	\$42
F2FAPA.3218N	32"	18"	3.5"	20	\$426	\$44
F2FAPA.3224N	32"	24"	3.5"	21	\$429	\$44
F2FAPA.3230N	32"	30"	3.5"	24	\$472	\$48
F2FAPA.3236N	32"	36"	3.5"	27	\$533	\$54
F2FAPA.3242N	32"	42"	3.5"	30	\$563	\$56
F2FAPA.3248N	32"	48"	3.5"	34	\$592	\$60
F2FAPA.3260N	32"	60"	3.5"	40	\$735	\$74

39" HIGH

PART #	HEIGHT	WIDTH	DEPTH	WT. (LBS)	PRICE	GROUP 5 UPCHARGE
F2FAPA.3912N	39"	12"	3.5"	22	\$417	\$44
F2FAPA.3918N	39"	18"	3.5"	24	\$445	\$46
F2FAPA.3924N	39"	24"	3.5"	26	\$448	\$46
F2FAPA.3930N	39"	30"	3.5"	27	\$492	\$50
F2FAPA.3936N	39"	36"	3.5"	31	\$556	\$56
F2FAPA.3942N	39"	42"	3.5"	36	\$587	\$60
F2FAPA.3948N	39"	48"	3.5"	39	\$615	\$62
F2FAPA.3960N	39"	60"	3.5"	46	\$763	\$76

47" HIGH

PART #	HEIGHT	WIDTH	DEPTH	WT. (LBS)	PRICE	GROUP 5 UPCHARGE
F2FAPA.4712N	47"	12"	3.5"	25	\$443	\$46
F2FAPA.4718N	47"	18"	3.5"	26	\$468	\$48
F2FAPA.4724N	47"	24"	3.5"	29	\$475	\$48
F2FAPA.4730N	47"	30"	3.5"	33	\$532	\$54
F2FAPA.4736N	47"	36"	3.5"	38	\$609	\$62
F2FAPA.4742N	47"	42"	3.5"	41	\$675	\$70
F2FAPA.4748N	47"	48"	3.5"	47	\$696	\$72
F2FAPA.4760N	47"	60"	3.5"	53	\$858	\$86

53" HIGH

PART #	HEIGHT	WIDTH	DEPTH	WT. (LBS)	PRICE	GROUP 5 UPCHARGE
F2FAPA.5312N	53"	12"	3.5"	26	\$452	\$46
F2FAPA.5318N	53"	18"	3.5"	30	\$482	\$50
F2FAPA.5324N	53"	24"	3.5"	32	\$485	\$50
F2FAPA.5330N	53"	30"	3.5"	38	\$552	\$56
F2FAPA.5336N	53"	36"	3.5"	41	\$646	\$64
F2FAPA.5342N	53"	42"	3.5"	44	\$699	\$72
F2FAPA.5348N	53"	48"	3.5"	51	\$745	\$76
F2FAPA.5360N	53"	60"	3.5"	57	\$918	\$92

62" HIGH

PART #	HEIGHT	WIDTH	DEPTH	WT. (LBS)	PRICE	GROUP 5 UPCHARGE
F2FAPA.6212N	62"	12"	3.5"	28	\$471	\$48
F2FAPA.6218N	62"	18"	3.5"	32	\$540	\$54
F2FAPA.6224N	62"	24"	3.5"	36	\$556	\$56
F2FAPA.6230N	62"	30"	3.5"	42	\$625	\$64
F2FAPA.6236N	62"	36"	3.5"	47	\$726	\$74
F2FAPA.6242N	62"	42"	3.5"	51	\$774	\$78
F2FAPA.6248N	62"	48"	3.5"	58	\$830	\$84
F2FAPA.6260N	62"	60"	3.5"	66	\$1,029	\$102

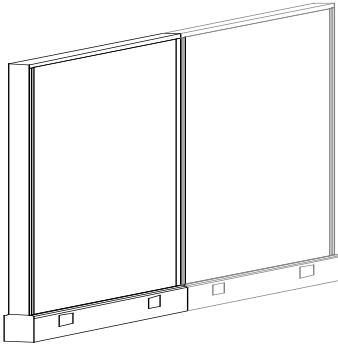
67" HIGH

PART #	HEIGHT	WIDTH	DEPTH	WT. (LBS)	PRICE	GROUP 5 UPCHARGE
F2FAPA.6712N	67"	12"	3.5"	30	\$483	\$50
F2FAPA.6718N	67"	18"	3.5"	34	\$550	\$54
F2FAPA.6724N	67"	24"	3.5"	40	\$565	\$56
F2FAPA.6730N	67"	30"	3.5"	46	\$635	\$64
F2FAPA.6736N	67"	36"	3.5"	51	\$737	\$74
F2FAPA.6742N	67"	42"	3.5"	57	\$785	\$78
F2FAPA.6748N	67"	48"	3.5"	64	\$835	\$84
F2FAPA.6760N	67"	60"	3.5"	74	\$1,033	\$102

85" HIGH

PART #	HEIGHT	WIDTH	DEPTH	WT. (LBS)	PRICE	NOTES
F2FAPA.8512N	85"	12"	3.5"	38	\$552	<ul style="list-style-type: none"> • Default fabric application for panels 67" and below is Non-Directional application. • 85" H panels are only available in Directional application. • When ordering panels 67" and below to match a 85" H panel, specify Group 5 for Directional application. • See Material Reference Guide for additional details
F2FAPA.8518N	85"	18"	3.5"	41	\$655	
F2FAPA.8524N	85"	24"	3.5"	50	\$669	
F2FAPA.8530N	85"	30"	3.5"	58	\$744	
F2FAPA.8536N	85"	36"	3.5"	65	\$860	
F2FAPA.8542N	85"	42"	3.5"	73	\$913	
F2FAPA.8548N	85"	48"	3.5"	81	\$971	
F2FAPA.8560N	85"	60"	3.5"	86	\$1,203	

Fabric-Covered Panel Electrical



DESCRIPTION

Structural panel with fabric surfaces, painted top caps and trim, leveling glides, 4-circuit power installed in cable management raceway covers.

NOTES

- 12" and 18" wide panels have no receptacle.
- 24" wide panels have one receptacle per side.
- 30" - 60" wide panels have two receptacle locations per side.
- 12" and 18" wide panels have a panel pass-through power jumper.
- Order receptacles separately.
- Order connectors and finished ends separately.
- Order Pass-Through Festoon separately.
- Standard fabric application for panels 67" and below is Non-Directional application.
- Panels taller than 67" are only available in Directional application.
- When ordering panels 67" and below to match a panel taller than 67", specify Group 5 for Directional application.
- See page 8 for more details.

SPECIFICATION OPTIONS

product #: see charts below
trim and top cap finish: LG Light Gray, MT Medium Tone, DT Dark Tone
base finish: MT Medium Tone, DT Dark Tone, LG Light Gray
fabric (side 1): see page 6
fabric (side 2, if applicable): see page 6

ORDER EXAMPLE

product #: F2FAPA.3212E
trim and top cap finish: LG
base finish: DT
fabric (side 1): PF401-1 Silky - Natural
fabric (side 2): PF401-2 Silky - Parids

32" HIGH

PART #	HEIGHT	WIDTH	DEPTH	WT. (LBS)	PRICE	GROUP 5 UPCHARGE
F2FAPA.3212E	32"	12"	3.5"	19	\$585	\$60
F2FAPA.3218E	32"	18"	3.5"	21	\$597	\$60
F2FAPA.3224E	32"	24"	3.5"	22	\$612	\$62
F2FAPA.3230E	32"	30"	3.5"	25	\$655	\$66
F2FAPA.3236E	32"	36"	3.5"	29	\$715	\$72
F2FAPA.3242E	32"	42"	3.5"	32	\$745	\$76
F2FAPA.3248E	32"	48"	3.5"	37	\$774	\$78
F2FAPA.3260E	32"	60"	3.5"	45	\$914	\$92

39" HIGH

PART #	HEIGHT	WIDTH	DEPTH	WT. (LBS)	PRICE	GROUP 5 UPCHARGE
F2FAPA.3912E	39"	12"	3.5"	23	\$600	\$62
F2FAPA.3918E	39"	18"	3.5"	25	\$615	\$62
F2FAPA.3924E	39"	24"	3.5"	27	\$632	\$64
F2FAPA.3930E	39"	30"	3.5"	29	\$673	\$70
F2FAPA.3936E	39"	36"	3.5"	33	\$738	\$74
F2FAPA.3942E	39"	42"	3.5"	38	\$768	\$78
F2FAPA.3948E	39"	48"	3.5"	42	\$796	\$82
F2FAPA.3960E	39"	60"	3.5"	51	\$945	\$94

47" HIGH

PART #	HEIGHT	WIDTH	DEPTH	WT. (LBS)	PRICE	GROUP 5 UPCHARGE
F2FAPA.4712E	47"	12"	3.5"	25	\$625	\$64
F2FAPA.4718E	47"	18"	3.5"	27	\$642	\$64
F2FAPA.4724E	47"	24"	3.5"	30	\$657	\$66
F2FAPA.4730E	47"	30"	3.5"	35	\$714	\$72
F2FAPA.4736E	47"	36"	3.5"	40	\$791	\$82
F2FAPA.4742E	47"	42"	3.5"	43	\$857	\$86
F2FAPA.4748E	47"	48"	3.5"	50	\$878	\$88
F2FAPA.4760E	47"	60"	3.5"	58	\$1,040	\$102

53" HIGH

PART #	HEIGHT	WIDTH	DEPTH	WT. (LBS)	PRICE	GROUP 5 UPCHARGE
F2FAPA.5312E	53"	12"	3.5"	27	\$635	\$64
F2FAPA.5318E	53"	18"	3.5"	31	\$652	\$66
F2FAPA.5324E	53"	24"	3.5"	33	\$668	\$66
F2FAPA.5330E	53"	30"	3.5"	40	\$735	\$74
F2FAPA.5336E	53"	36"	3.5"	43	\$830	\$84
F2FAPA.5342E	53"	42"	3.5"	47	\$880	\$88
F2FAPA.5348E	53"	48"	3.5"	53	\$927	\$92
F2FAPA.5360E	53"	60"	3.5"	62	\$1,100	\$110

62" HIGH

PART #	HEIGHT	WIDTH	DEPTH	WT. (LBS)	PRICE	GROUP 5 UPCHARGE
F2FAPA.6212E	62"	12"	3.5"	29	\$652	\$66
F2FAPA.6218E	62"	18"	3.5"	33	\$722	\$74
F2FAPA.6224E	62"	24"	3.5"	36	\$738	\$74
F2FAPA.6230E	62"	30"	3.5"	44	\$807	\$82
F2FAPA.6236E	62"	36"	3.5"	49	\$909	\$92
F2FAPA.6242E	62"	42"	3.5"	54	\$956	\$96
F2FAPA.6248E	62"	48"	3.5"	61	\$1,011	\$100
F2FAPA.6260E	62"	60"	3.5"	71	\$1,211	\$122

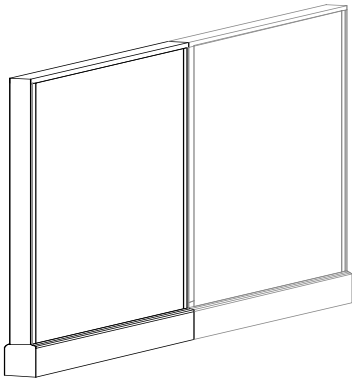
67" HIGH

PART #	HEIGHT	WIDTH	DEPTH	WT. (LBS)	PRICE	GROUP 5 UPCHARGE
F2FAPA.6712E	67"	12"	3.5"	31	\$665	\$66
F2FAPA.6718E	67"	18"	3.5"	35	\$731	\$74
F2FAPA.6724E	67"	24"	3.5"	41	\$747	\$76
F2FAPA.6730E	67"	30"	3.5"	47	\$817	\$84
F2FAPA.6736E	67"	36"	3.5"	53	\$918	\$92
F2FAPA.6742E	67"	42"	3.5"	59	\$967	\$96
F2FAPA.6748E	67"	48"	3.5"	67	\$1,017	\$100
F2FAPA.6760E	67"	60"	3.5"	79	\$1,214	\$122

85" HIGH

PART #	HEIGHT	WIDTH	DEPTH	WT. (LBS)	PRICE	NOTES
F2FAPA.8512E	85"	12"	3.5"	39	\$735	<ul style="list-style-type: none"> • Default fabric application for panels 67" and below is Non-Directional application. • 85" H panels are only available in Directional application. • When ordering panels 67" and below to match a 85" H panel, specify Group 5 for Directional application. • See Material Reference Guide for additional details
F2FAPA.8518E	85"	18"	3.5"	42	\$835	
F2FAPA.8524E	85"	24"	3.5"	50	\$852	
F2FAPA.8530E	85"	30"	3.5"	59	\$926	
F2FAPA.8536E	85"	36"	3.5"	67	\$1,041	
F2FAPA.8542E	85"	42"	3.5"	75	\$1,095	
F2FAPA.8548E	85"	48"	3.5"	84	\$1,155	
F2FAPA.8560E	85"	60"	3.5"	91	\$1,385	

Acoustical Panel Non-Electrical



DESCRIPTION

Sound reducing, structural panel with fabric surfaces, painted top cap and trim, leveling glides and cable management side covers.

NOTES

- Order connectors and finished ends separately.
- Standard fabric application for panels 67" and below is Non-Directional application.
- Panels taller than 67" are only available in Directional application.
- When ordering panels 67" and below to match a panel taller than 67", specify Group 5 for Directional application.
- See page 8 for more details.
- **Passage and Terrain are not available on acoustical panels.**

SPECIFICATION OPTIONS

product #: see charts below
trim and top cap finish: LG Light Gray, MT Medium Tone, DT Dark Tone
base finish: MT Medium Tone, DT Dark Tone, LG Light Gray
fabric (side 1): see page 6
fabric (side 2, if applicable): see page 6

ORDER EXAMPLE

product #: F2ACPA.5312N
trim and top cap finish: LG
base finish: DT
fabric (side 1): PF401-1 Silky - Natural
fabric (side 2): PF401-2 Silky - Parids

53" HIGH

PART #	HEIGHT	WIDTH	DEPTH	WT. (LBS)	PRICE	GROUP 5 UPCHARGE
F2ACPA.5312N	53"	12"	3.5"	26	\$616	\$62
F2ACPA.5318N	53"	18"	3.5"	30	\$693	\$70
F2ACPA.5324N	53"	24"	3.5"	32	\$699	\$72
F2ACPA.5330N	53"	30"	3.5"	38	\$760	\$76
F2ACPA.5336N	53"	36"	3.5"	41	\$846	\$86
F2ACPA.5342N	53"	42"	3.5"	44	\$889	\$90
F2ACPA.5348N	53"	48"	3.5"	51	\$937	\$94
F2ACPA.5360N	53"	60"	3.5"	57	\$1,151	\$118

62" HIGH

PART #	HEIGHT	WIDTH	DEPTH	WT. (LBS)	PRICE	GROUP 5 UPCHARGE
F2ACPA.6212N	62"	12"	3.5"	28	\$642	\$64
F2ACPA.6218N	62"	18"	3.5"	32	\$693	\$70
F2ACPA.6224N	62"	24"	3.5"	36	\$704	\$72
F2ACPA.6230N	62"	30"	3.5"	42	\$763	\$76
F2ACPA.6236N	62"	36"	3.5"	47	\$858	\$86
F2ACPA.6242N	62"	42"	3.5"	51	\$898	\$90
F2ACPA.6248N	62"	48"	3.5"	58	\$948	\$94
F2ACPA.6260N	62"	60"	3.5"	66	\$1,159	\$118

67" HIGH

PART #	HEIGHT	WIDTH	DEPTH	WT. (LBS)	PRICE	GROUP 5 UPCHARGE
F2ACPA.6712N	67"	12"	3.5"	30	\$659	\$66
F2ACPA.6718N	67"	18"	3.5"	34	\$719	\$74
F2ACPA.6724N	67"	24"	3.5"	40	\$726	\$74
F2ACPA.6730N	67"	30"	3.5"	46	\$787	\$78
F2ACPA.6736N	67"	36"	3.5"	51	\$881	\$88
F2ACPA.6742N	67"	42"	3.5"	57	\$922	\$92
F2ACPA.6748N	67"	48"	3.5"	64	\$891	\$96
F2ACPA.6760N	67"	60"	3.5"	74	\$1,174	\$120

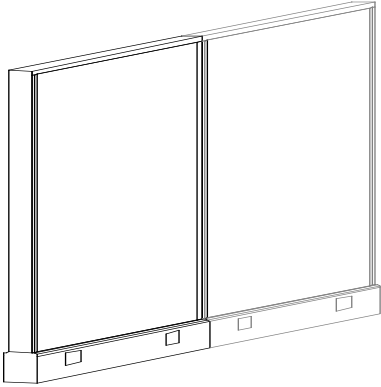
85" HIGH

PART #	HEIGHT	WIDTH	DEPTH	WT. (LBS)	PRICE
F2ACPA.8512N	85"	12"	3.5"	38	\$756
F2ACPA.8518N	85"	18"	3.5"	41	\$828
F2ACPA.8524N	85"	24"	3.5"	50	\$830
F2ACPA.8530N	85"	30"	3.5"	58	\$906
F2ACPA.8536N	85"	36"	3.5"	65	\$1,022
F2ACPA.8542N	85"	42"	3.5"	73	\$1,080
F2ACPA.8548N	85"	48"	3.5"	81	\$1,151
F2ACPA.8560N	85"	60"	3.5"	86	\$1,408

NOTES

- Default fabric application for panels 67" and below is Non-Directional application.
- 85" H panels are only available in Directional application.
- When ordering panels 67" and below to match a 85" H panel, specify Group 5 for Directional application.
- See Material Reference Guide for additional details

Acoustical Panel Electrical



DESCRIPTION

Sound reducing, structural panel with fabric surfaces, painted top cap and trim, leveling glides, 4-circuit power installed in cable management raceway covers.

NOTES

- 12" and 18" wide panels have no receptacle.
- 24" wide panels have one receptacle per side.
- 30" - 60" wide panels have two receptacle locations per side.
- 12" and 18" wide panels have a panel pass-through power jumper.
- Order receptacles separately.
- Order connectors and finished ends separately.
- Order Pass-Through Festoon separately.
- Standard fabric application for panels 67" and below is Non-Directional application.
- Panels taller than 67" are only available in Directional application.
- When ordering panels 67" and below to match a panel taller than 67", specify Group 5 for Directional application.
- See page 8 for more details.
- **Passage and Terrain are not available on acoustical panels.**

SPECIFICATION OPTIONS

product #: see charts below
trim and top cap finish: LG Light Gray, MT Medium Tone, DT Dark Tone
base finish: MT Medium Tone, DT Dark Tone, LG Light Gray
fabric (side 1): see page 6
fabric (side 2, if applicable): see page 6

ORDER EXAMPLE

product #: F2ACPA.5312E
trim and top cap finish: LG
base finish: DT
fabric (side 1): PF401-1 Silky - Natural
fabric (side 2): PF401-2 Silky - Parids

53" HIGH

PART #	HEIGHT	WIDTH	DEPTH	WT. (LBS)	PRICE	GROUP 5 UPCHARGE
F2ACPA.5312E	53"	12"	3.5"	27	\$798	\$82
F2ACPA.5318E	53"	18"	3.5"	31	\$877	\$88
F2ACPA.5324E	53"	24"	3.5"	33	\$880	\$88
F2ACPA.5330E	53"	30"	3.5"	40	\$942	\$94
F2ACPA.5336E	53"	36"	3.5"	43	\$1,029	\$102
F2ACPA.5342E	53"	42"	3.5"	47	\$1,070	\$106
F2ACPA.5348E	53"	48"	3.5"	53	\$1,120	\$110
F2ACPA.5360E	53"	60"	3.5"	62	\$1,332	\$134

62" HIGH

PART #	HEIGHT	WIDTH	DEPTH	WT. (LBS)	PRICE	GROUP 5 UPCHARGE
F2ACPA.6212E	62"	12"	3.5"	29	\$823	\$84
F2ACPA.6218E	62"	18"	3.5"	33	\$877	\$88
F2ACPA.6224E	62"	24"	3.5"	36	\$886	\$90
F2ACPA.6230E	62"	30"	3.5"	44	\$945	\$94
F2ACPA.6236E	62"	36"	3.5"	49	\$1,040	\$102
F2ACPA.6242E	62"	42"	3.5"	54	\$1,081	\$108
F2ACPA.6248E	62"	48"	3.5"	61	\$1,131	\$116
F2ACPA.6260E	62"	60"	3.5"	71	\$1,340	\$136

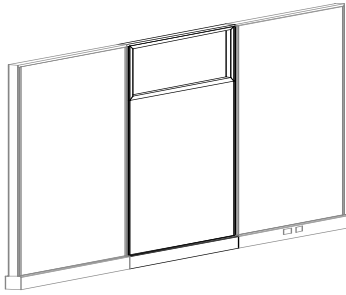
67" HIGH

PART #	HEIGHT	WIDTH	DEPTH	WT. (LBS)	PRICE	GROUP 5 UPCHARGE
F2ACPA.6712E	67"	12"	3.5"	31	\$840	\$86
F2ACPA.6718E	67"	18"	3.5"	35	\$902	\$90
F2ACPA.6724E	67"	24"	3.5"	41	\$909	\$92
F2ACPA.6730E	67"	30"	3.5"	47	\$969	\$96
F2ACPA.6736E	67"	36"	3.5"	53	\$1,063	\$106
F2ACPA.6742E	67"	42"	3.5"	59	\$1,104	\$110
F2ACPA.6748E	67"	48"	3.5"	67	\$1,157	\$118
F2ACPA.6760E	67"	60"	3.5"	79	\$1,356	\$136

85" HIGH

PART #	HEIGHT	WIDTH	DEPTH	WT. (LBS)	PRICE	NOTES
F2ACPA.8512E	85"	12"	3.5"	39	\$937	<ul style="list-style-type: none"> • Default fabric application for panels 67" and below is Non-Directional application. • 85" H panels are only available in Directional application. • When ordering panels 67" and below to match a 85" H panel, specify Group 5 for Directional application. • See Material Reference Guide for additional details
F2ACPA.8518E	85"	18"	3.5"	42	\$1,010	
F2ACPA.8524E	85"	24"	3.5"	50	\$1,011	
F2ACPA.8530E	85"	30"	3.5"	59	\$1,087	
F2ACPA.8536E	85"	36"	3.5"	67	\$1,205	
F2ACPA.8542E	85"	42"	3.5"	75	\$1,261	
F2ACPA.8548E	85"	48"	3.5"	84	\$1,332	
F2ACPA.8560E	85"	60"	3.5"	91	\$1,591	

Partial-Glazed Panel Non-Electrical



DESCRIPTION

Structural panel with fabric covered lower surfaces and 14" high tempered glass top section, painted top cap and cable management side covers.

NOTES

- Order connectors and finished ends separately.
- Cannot be used as dry erase surface.

SPECIFICATION OPTIONS

product #: see charts below
trim and top cap finish: LG Light Gray, MT Medium Tone, DT Dark Tone
panel glazing: TR Clear, FR Frosted
base finish: MT Medium Tone, DT Dark Tone, LG Light Gray
fabric (side 1): see page 6
fabric (side 2, if applicable): see page 6

ORDER EXAMPLE

product #: F2 PGPA.5324N
trim and top cap finish: LG
panel glazing: TR
base finish: DT
fabric (side 1): PF401-1 Silky - Natural
fabric (side 2): PF401-2 Silky - Parids

53" HIGH

PART #	HEIGHT	WIDTH	DEPTH	WT. (LBS)	PRICE	GROUP 5 UPCHARGE
F2PGPA.5324N	53"	24"	3.5"	37	\$745	\$76
F2PGPA.5330N	53"	30"	3.5"	41	\$811	\$82
F2PGPA.5336N	53"	36"	3.5"	47	\$980	\$98
F2PGPA.5342N	53"	42"	3.5"	54	\$1,031	\$102
F2PGPA.5348N	53"	48"	3.5"	61	\$1,129	\$116
F2PGPA.5360N	53"	60"	3.5"	73	\$1,303	\$132

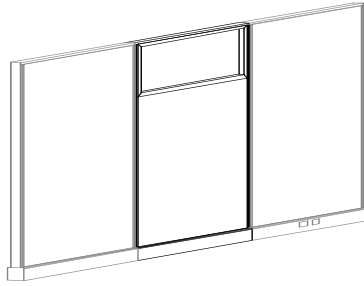
67" HIGH

PART #	HEIGHT	WIDTH	DEPTH	WT. (LBS)	PRICE	GROUP 5 UPCHARGE
F2PGPA.6724N	67"	24"	3.5"	42	\$823	\$84
F2PGPA.6730N	67"	30"	3.5"	50	\$895	\$90
F2PGPA.6736N	67"	36"	3.5"	56	\$1,068	\$106
F2PGPA.6742N	67"	42"	3.5"	62	\$1,117	\$110
F2PGPA.6748N	67"	48"	3.5"	71	\$1,221	\$124
F2PGPA.6760N	67"	60"	3.5"	82	\$1,418	\$142

85" HIGH

PART #	HEIGHT	WIDTH	DEPTH	WT. (LBS)	PRICE	NOTES
F2PGPA.8524N	85"	24"	3.5"	49	\$929	<ul style="list-style-type: none"> • Default fabric application for panels 67" and below is Non-Directional application. • 85" H panels are only available in Directional application. • When ordering panels 67" and below to match a 85" H panel, specify Group 5 for Directional application. • See Material Reference Guide for additional details
F2PGPA.8530N	85"	30"	3.5"	57	\$1,002	
F2PGPA.8536N	85"	36"	3.5"	65	\$1,192	
F2PGPA.8542N	85"	42"	3.5"	73	\$1,247	
F2PGPA.8548N	85"	48"	3.5"	83	\$1,357	
F2PGPA.8560N	85"	60"	3.5"	97	\$1,587	

Partial-Glazed Panel Electrical



DESCRIPTION

Structural panel with fabric covered lower surfaces and 14" high tempered glass top section, painted top cap and leveling glides, 4-circuit power installed in cable management raceway covers.

NOTES

- 12" and 18" wide panels have no receptacle.
- 24" wide panels have one receptacle per side.
- 30" - 60" wide panels have two receptacle locations per side.
- Order connectors and finished ends separately.
- Order Pass-Through Festoon separately.
- Cannot be used as dry erase surface.

SPECIFICATION OPTIONS

product #: see charts below
trim and top cap finish: LG Light Gray, MT Medium Tone, DT Dark Tone
panel glazing: TR Clear, FR Frosted
base finish: MT Medium Tone, DT Dark Tone, LG Light Gray
fabric (side 1): see page 6
fabric (side 2, if applicable): see page 6

ORDER EXAMPLE

product #: F2PGPA.5324E
trim and top cap finish: LG
panel glazing: TR
base finish: DT
fabric (side 1): PF101-1 Slide - Caramel
fabric (side 2, if applicable): PF101-6 Slide - Vintage

53" HIGH

PART #	HEIGHT	WIDTH	DEPTH	WT. (LBS)	PRICE	GROUP 5 UPCHARGE
F2PGPA.5324E	53"	24"	3.5"	38	\$927	\$92
F2PGPA.5330E	53"	30"	3.5"	42	\$992	\$98
F2PGPA.5336E	53"	36"	3.5"	49	\$1,161	\$118
F2PGPA.5342E	53"	42"	3.5"	56	\$1,213	\$122
F2PGPA.5348E	53"	48"	3.5"	63	\$1,311	\$132
F2PGPA.5360E	53"	60"	3.5"	77	\$1,484	\$148

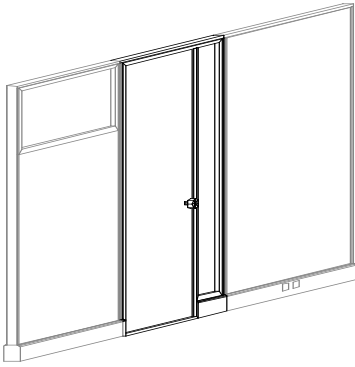
67" HIGH

PART #	HEIGHT	WIDTH	DEPTH	WT. (LBS)	PRICE	GROUP 5 UPCHARGE
F2PGPA.6724E	67"	24"	3.5"	43	\$1,007	\$100
F2PGPA.6730E	67"	30"	3.5"	52	\$1,077	\$108
F2PGPA.6736E	67"	36"	3.5"	57	\$1,250	\$128
F2PGPA.6742E	67"	42"	3.5"	64	\$1,300	\$132
F2PGPA.6748E	67"	48"	3.5"	74	\$1,403	\$140
F2PGPA.6760E	67"	60"	3.5"	86	\$1,601	\$162

85" HIGH

PART #	HEIGHT	WIDTH	DEPTH	WT. (LBS)	PRICE	NOTES
F2PGPA.8524E	85"	24"	3.5"	50	\$1,110	<ul style="list-style-type: none"> • Default fabric application for panels 67" and below is Non-Directional application. • 85" H panels are only available in Directional application. • When ordering panels 67" and below to match a 85" H panel, specify Group 5 for Directional application. • See Material Reference Guide for additional details
F2PGPA.8530E	85"	30"	3.5"	58	\$1,183	
F2PGPA.8536E	85"	36"	3.5"	67	\$1,375	
F2PGPA.8542E	85"	42"	3.5"	75	\$1,429	
F2PGPA.8548E	85"	48"	3.5"	85	\$1,538	
F2PGPA.8560E	85"	60"	3.5"	101	\$1,770	

Door Panel



DESCRIPTION

Painted frame with 36" wide lockable laminate door and 6" wide glazed side panel, painted top cap and leveling glides.

NOTES

- Door hangs left or right, swings in or out.
- Order connectors and finished ends separately.
- When a door is installed next to a connector there will be a small gap between the base cover and door frame. Place doors between panels whenever possible.
- When installing on carpet, carpet grippers are recommended. If installed on hard floors, there may be movement.

SPECIFICATION OPTIONS

product #: see charts below
base finish: MT Medium Tone, DT Dark Tone, LG Light Gray

glass finish: CL clear, FR Frosted Glass

trim, top cap & door finish: LG Light Gray, MT Medium Tone, DT Dark Tone

ORDER EXAMPLE

product #: F2DOPA.8548

base finish: MT

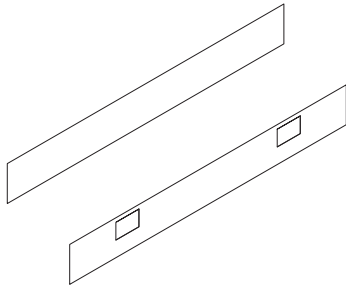
trim, top cap & door finish: LG

glass finish: FR

85" HIGH

PART #	HEIGHT	WIDTH	DEPTH	WT. (LBS)	PRICE
F2DOPA.8548	85"	48"	3.5"	111	\$4,439

Base Covers



DESCRIPTION

Panel base covers with and without power knockouts

NOTES

- Base covers are included with panels, sold here separately for special situations

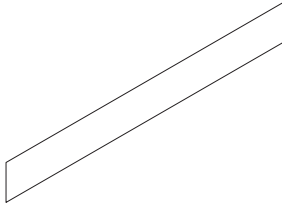
SPECIFICATION OPTIONS

product #: see charts below
base finish: MT Medium Tone, DT Dark Tone, LG Light Gray

ORDER EXAMPLE

product #: FASP11-5
base finish: MT Medium Tone

BASE COVERS NON-POWERED

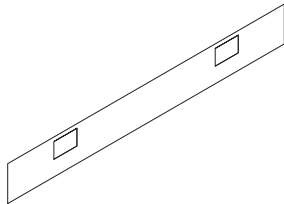


PART #	HEIGHT	WIDTH	DEPTH	WT. (LBS)	PRICE
FASP11-1	—	12"	—		\$14
FASP11-2	—	18"	—		\$14
FASP11-3	—	24"	—		\$14
FASP11-4	—	30"	—		\$15
FASP11-5	—	36"	—		\$18
FASP11-6	—	42"	—		\$22
FASP11-7	—	48"	—		\$27
FASP11-8	—	60"	—		\$30

NOTES

- Base cover with no knockouts
- Order (1) per each side of panel
- Included with all non-powered panels, sold here separately for special situations

BASE COVERS WITH POWER CUTOUTS

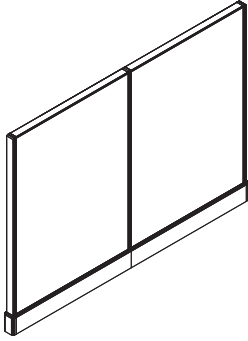


PART #	HEIGHT	WIDTH	DEPTH	WT. (LBS)	PRICE
FASP11P-3	—	24"	—		\$18
FASP11P-4	—	30"	—		\$20
FASP11P-5	—	36"	—		\$22
FASP11P-6	—	42"	—		\$26
FASP11P-7	—	48"	—		\$31
FASP11P-8	—	60"	—		\$34

NOTES

- Base cover with knockouts
- Order (1) per each side of panel
- Included with all powered panels and conversion kits, sold here separately for special situations
- 24"W has (1) knockout
- 30"W - 60"W have (2) knockouts
- Power components not included

Draw Rod



DESCRIPTION

Panel hardware to connect two panels in a straight line or a panel to a wall start or a panel to power pole.

SPECIFICATION OPTIONS

product #: see charts below

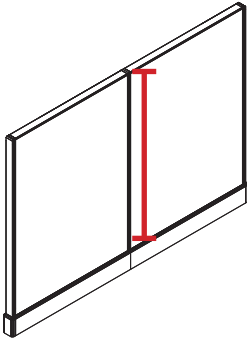
NOTES

- When connecting panels of different heights to each other, order Draw Rod Change of Height.
- Draw Rods are 5" shorter than the panel height.

ORDER EXAMPLE

product #: FDR.27

DRAW ROD

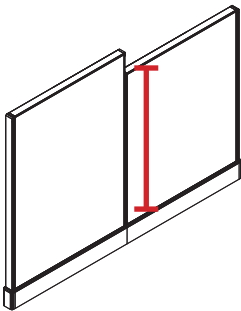


PART #	HEIGHT	WIDTH	DEPTH	WT. (LBS)	PRICE
FDR.27	27"	—	—	1	\$24
FDR.34	34"	—	—	1	\$30
FDR.42	42"	—	—	1	\$30
FDR.48	48"	—	—	1	\$31
FDR.57	57"	—	—	1	\$31
FDR.62	62"	—	—	1	\$31
FDR.80	80"	—	—	2	\$31

NOTES

- Draw rod connects two panels at 180° (straight line)
- Panel hardware to connect two panels in a straight line or a panel to a wall start or a panel to a power pole.
- Color: DT Dark Tone

DRAW ROD CHANGE OF HEIGHT

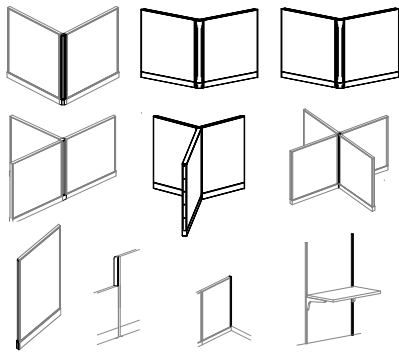


PART #	HEIGHT	WIDTH	DEPTH	WT. (LBS)	PRICE
F2DRCHS.27	27"	—	—	1	\$46
F2DRCHS.34	34"	—	—	1	\$46
F2DRCHS.42	42"	—	—	1	\$46
F2DRCHS.48	48"	—	—	1	\$53
F2DRCHS.57	57"	—	—	1	\$53
F2DRCHS.62	62"	—	—	1	\$53

NOTES

- Draw rod connects two panels at 180° (straight line) when the panels are of different height.
- Order the height of the shorter panel.
- Color: DT Dark Tone.

Connectors



DESCRIPTION

Panel hardware to connect 2, 3 or 4 panels at 90°, 120° or 135°. Includes hardware.

NOTES

- No draw rods needed to attach connectors to panels.
- When connecting panels of different heights, specify the connector to match the tallest panel.
- For panels that do not match the height of the connector, order Finished End Change of Height separately.

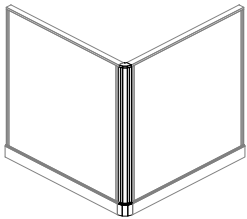
SPECIFICATION OPTIONS

product #: see charts below
finish: LG Light Gray, MT Medium Tone, DT Dark Tone
base finish: MT Medium Tone, DT Dark Tone, LG Light Gray

ORDER EXAMPLE

product #: F22W.32
finish: DT
base finish: DT

2-WAY 90° CONNECTOR POST

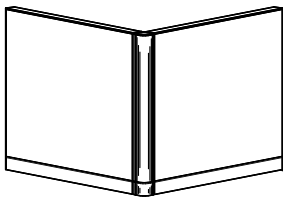


PART #	HEIGHT	WIDTH	DEPTH	WT. (LBS)	PRICE
F22W.32	32"	3.5"	3.5"	3	\$143
F22W.39	39"	3.5"	3.5"	4	\$143
F22W.47	47"	3.5"	3.5"	5	\$158
F22W.53	53"	3.5"	3.5"	6	\$166
F22W.62	62"	3.5"	3.5"	7	\$180
F22W.67	67"	3.5"	3.5"	7	\$182
F22W.85	85"	3.5"	3.5"	8	\$205

NOTES

- Connects 2 panels at 90°.
- Includes cable management trim cover.
- When connecting panels of different heights, specify the connector to match the tallest panel.
- For panels that do not match the height of the connector, order Finished End Change of Height separately.

2-WAY 120° CONNECTOR POST

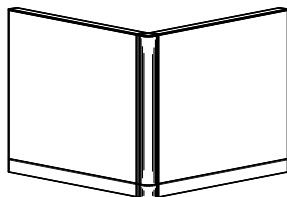


PART #	HEIGHT	WIDTH	DEPTH	WT. (LBS)	PRICE
F22W-120.32	32"	3.5"	3.5"	3	\$143
F22W-120.39	39"	3.5"	3.5"	4	\$143
F22W-120.47	47"	3.5"	3.5"	5	\$158
F22W-120.53	53"	3.5"	3.5"	6	\$166
F22W-120.62	62"	3.5"	3.5"	7	\$180
F22W-120.67	67"	3.5"	3.5"	7	\$182
F22W-120.85	85"	3.5"	3.5"	8	\$205

NOTES

- Connects 2 panels at 120°.
- Includes cable management trim cover.
- Check for availability.
- When connecting panels of different heights, specify the connector to match the tallest panel.
- For panels that do not match the height of the connector, order Finished End Change of Height separately.

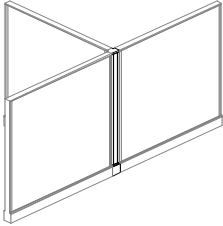
2-WAY 135° CONNECTOR POST



PART #	HEIGHT	WIDTH	DEPTH	WT. (LBS)	PRICE
F22W-135.32	32"	3.5"	3.5"	3	\$218
F22W-135.39	39"	3.5"	3.5"	4	\$227
F22W-135.47	47"	3.5"	3.5"	5	\$243
F22W-135.53	53"	3.5"	3.5"	6	\$256
F22W-135.62	62"	3.5"	3.5"	7	\$278
F22W-135.67	67"	3.5"	3.5"	7	\$283
F22W-135.85	85"	3.5"	3.5"	8	\$321

NOTES

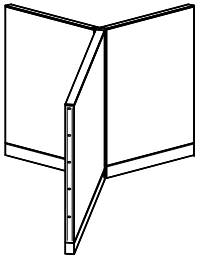
- Connects 2 panels at 135°.
- Includes cable management trim cover.
- Check for availability.
- When connecting panels of different heights, specify the connector to match the tallest panel.
- For panels that do not match the height of the connector, order Finished End Change of Height separately.

**3-WAY 90°
CONNECTOR POST**

PART #	HEIGHT	WIDTH	DEPTH	WT. (LBS)	PRICE
F23W.32	32"	3.5"	3.5"	5	\$218
F23W.39	39"	3.5"	3.5"	5	\$227
F23W.47	47"	3.5"	3.5"	6	\$243
F23W.53	53"	3.5"	3.5"	7	\$256
F23W.62	62"	3.5"	3.5"	8	\$278
F23W.67	67"	3.5"	3.5"	8	\$283
F23W.85	85"	3.5"	3.5"	9	\$321

NOTES

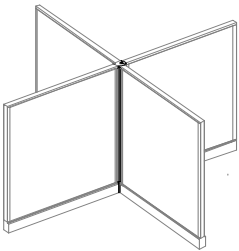
- Connects 3 panels at 90°.
- Includes cable management trim cover.
- When connecting panels of different heights, specify the connector to match the tallest panel.
- For panels that do not match the height of the connector, order Finished End Change of Height separately.

**3-WAY 120°
CONNECTOR POST**

PART #	HEIGHT	WIDTH	DEPTH	WT. (LBS)	PRICE
F23W-120.32	32"	3.5"	3.5"	5	\$218
F23W-120.39	39"	3.5"	3.5"	5	\$227
F23W-120.47	47"	3.5"	3.5"	6	\$243
F23W-120.53	53"	3.5"	3.5"	7	\$256
F23W-120.62	62"	3.5"	3.5"	8	\$278
F23W-120.67	67"	3.5"	3.5"	8	\$283
F23W-120.85	85"	3.5"	3.5"	9	\$321

NOTES

- Connects 3 panels at 120°.
- Check for availability.
- When connecting panels of different heights, specify the connector to match the tallest panel.
- For panels that do not match the height of the connector, order Finished End Change of Height separately.

**4-WAY 90°
CONNECTOR POST**

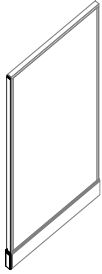
PART #	HEIGHT	WIDTH	DEPTH	WT. (LBS)	PRICE
F24W.32	32"	3.5"	3.5"	5	\$273
F24W.39	39"	3.5"	3.5"	6	\$286
F24W.47	47"	3.5"	3.5"	7	\$302
F24W.53	53"	3.5"	3.5"	8	\$332
F24W.62	62"	3.5"	3.5"	9	\$364
F24W.67	67"	3.5"	3.5"	10	\$366
F24W.85	85"	3.5"	3.5"	10	\$410

NOTES

- Connects 4 panels at 90°.
- When connecting panels of different heights, specify the connector to match the tallest panel.
- For panels that do not match the height of the connector, order Finished End Change of Height separately.

Connectors (cont'd)

FINISHED END

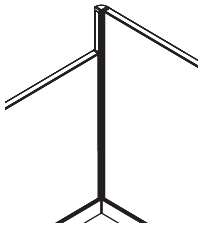


PART #	HEIGHT	WIDTH	DEPTH	WT. (LBS)	PRICE
F2FE.32	32"	3.5"	1"	1	\$67
F2FE.39	39"	3.5"	1"	2	\$67
F2FE.47	47"	3.5"	1"	2	\$73
F2FE.53	53"	3.5"	1"	2	\$73
F2FE.62	62"	3.5"	1"	2	\$73
F2FE.67	67"	3.5"	1"	2	\$81
F2FE.85	85"	3.5"	1"	3	\$89

NOTES

- Finishes the vertical end of a panel at the end of a panel run.
- Includes cable management trim cover.

FINISHED END, CHANGE OF HEIGHT FOR CONNECTOR

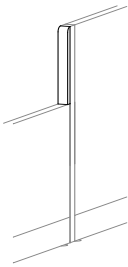


PART #	HEIGHT	WIDTH	DEPTH	WT. (LBS)	PRICE
FFECH	48"	1.75"	.25"	1	\$25

NOTES

- Finishes the exposed end of a connector at a change of height location.
- Includes finished end trim and mounting hardware.
- May be cut to the appropriate length.
- Trim is 48" long.
- Order quantity 2 trims and field cut to cover 85" to 32" high panel transition.
- Plastic finish

FINISHED END, CHANGE OF HEIGHT FOR PANEL TO PANEL



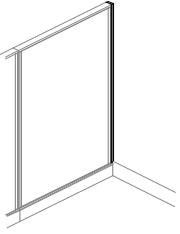
PART #	HEIGHT	WIDTH	DEPTH	WT. (LBS)	PRICE
FFECHP.05	5"	1.75"	1"	1	\$27
FFECHP.06	6"	1.75"	1"	1	\$28
FFECHP.07	7"	1.75"	1"	1	\$31
FFECHP.08	8"	1.75"	1"	1	\$33
FFECHP.09	9"	1.75"	1"	1	\$35
FFECHP.14	14"	1.75"	1"	1	\$44
FFECHP.15	15"	1.75"	1"	1	\$45
FFECHP.18	18"	1.75"	1"	2	\$49
FFECHP.20	20"	1.75"	1"	2	\$54
FFECHP.21	21"	1.75"	1"	2	\$55
FFECHP.23	23"	1.75"	1"	2	\$61
FFECHP.28	28"	1.75"	1"	3	\$66
FFECHP.30	30"	1.75"	1"	3	\$69
FFECHP.32	32"	1.75"	1"	3	\$73
FFECHP.35	35"	1.75"	1"	3	\$80
FFECHP.38	38"	1.75"	1"	3	\$84
FFECHP.46	46"	1.75"	1"	3	\$97
FFECHP.53	53"	1.75"	1"	3	\$111

NOTES

- Finishes the exposed end of a panel at a change of height location.
- Includes finished end trim and mounting hardware.
- Metal finish

Connectors (cont'd)

WALL START

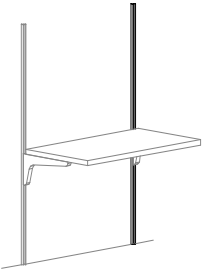


PART #	HEIGHT	WIDTH	DEPTH	WT. (LBS)	PRICE
FWSTA.27	27"	1.75"	1"	1	\$59
FWSTA.34	34"	1.75"	1"	2	\$64
FWSTA.42	42"	1.75"	1"	3	\$72
FWSTA.48	48"	1.75"	1"	3	\$80
FWSTA.57	57"	1.75"	1"	3	\$85
FWSTA.62	62"	1.75"	1"	3	\$91
FWSTA.80	80"	1.75"	1"	4	\$100

NOTES

- Connects panel to structural wall or column.
- Can also connect equal height panels at a 90° angle at any point along the panel width.
- Order one Draw Rod of the same height to attach panel to wall start.

WALL STRIP

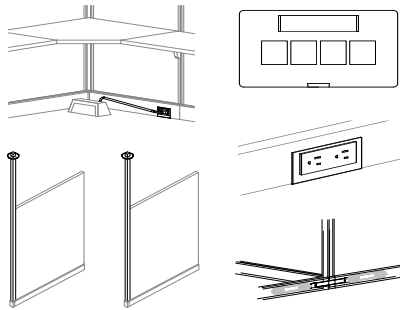


PART #	HEIGHT	WIDTH	DEPTH	WT. (LBS)	PRICE
FWSST.60	60"	—	—	3	\$77
FWSST.72	72"	—	—	3	\$89
FWSST.84	84"	—	—	4	\$108

NOTES

- Attaches to structural wall to hang worksurfaces and/or components.
- Includes one wall strip.
- Aluminum finish only.
- Can be shared, support (2) components side by side w/(3) wall strips

Electrical Distribution



DESCRIPTION

Parts for distributing power through your system. Distributes up to four 20-amp circuits.

NOTES

- 4-circuit

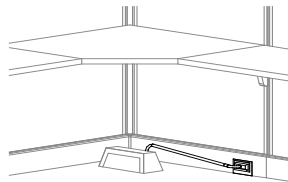
SPECIFICATION OPTIONS

product #: see charts below
pole finish: LG Light Gray, MT Medium Tone, DT Dark Tone
base finish: MT Medium Tone, DT Dark Tone, LG Light Gray

ORDER EXAMPLE

product #: F2CPE4.39
pole finish: DT
base finish: DT

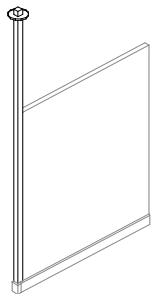
BASE POWER ENTRY DIRECT CONNECT, 4-CIRCUIT



PART #	HEIGHT	WIDTH	DEPTH	WT. (LBS)	PRICE
F2BPE	left angle elbow	6'	—	5	\$452

- ### NOTES
- Connects building power from a wall, floor or column to the base of a panel.
 - Plugs directly into the panel's electrical harness at receptacle location.
 - Distributes up to four 20-amp circuits.
 - Includes a cable that can be field-cut to the appropriate length.
 - MUST BE WIRED BY A LICENSED ELECTRICIAN.

CEILING POWER ENTRY INTERNAL DIRECT CONNECT 4-CIRCUIT

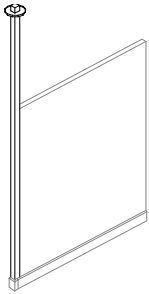


PART #	HEIGHT	WIDTH	DEPTH	WT. (LBS)	PRICE
F2CPE4.39	39"	3.5"	3.5"	13	\$957
F2CPE4.47	47"	3.5"	3.5"	13	\$957
F2CPE4.53	53"	3.5"	3.5"	13	\$957
F2CPE4.62	62"	3.5"	3.5"	13	\$957
F2CPE4.67	67"	3.5"	3.5"	13	\$957
F2CPE4.85	85"	3.5"	3.5"	13	\$957

- ### NOTES
- Connects a ceiling electrical supply to the base of a powered panel.
 - Distributes up to four 20-amp circuits.
 - To attach at a:
 - 2-Way connection point, order a 3-Way connector
 - 3-Way connection point, order a 4-Way connector
 - end of a panel run, order a Draw Rod separately.
 - Includes a rigid 12' conduit when extended, encasing 14' of wire, 12' pole, bezel and end cap trim cover.
 - Pole can fit (70) cat. 6 cables along with power conduit.
 - MUST BE WIRED BY A LICENSED ELECTRICIAN.

Electrical Distribution (cont'd)

CEILING DATA ENTRY NON-POWERED

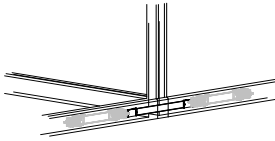


PART #	HEIGHT	WIDTH	DEPTH	WT. (LBS)	PRICE
F2CDE.39	39"	3.5"	3.5"	8	\$431
F2CDE.47	47"	3.5"	3.5"	8	\$431
F2CDE.53	53"	3.5"	3.5"	8	\$431
F2CDE.62	62"	3.5"	3.5"	8	\$431
F2CDE.67	67"	3.5"	3.5"	8	\$431
F2CDE.85	85"	3.5"	3.5"	8	\$431

NOTES

- Routes data cables from the ceiling to the base of a panel.
- To attach at a:
 - 2-Way connection point, order a 3-Way connector
 - 3-Way connection point, order a 4-Way connector
 - end of a panel run, order a Draw Rod separately.
- Includes 12' pole, bezel and end cap trim cover.
- Pole can fit (73) cat. 6 cables .
-

PASS-THROUGH FESTOON 23" LONG, 4-CIRCUIT

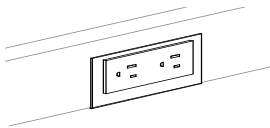


PART #	HEIGHT	WIDTH	DEPTH	WT. (LBS)	PRICE
F2CPK.1	23"	—	—	1	\$131

NOTES

- Extends power when connecting power in a straight line through a 3-Way, 4-Way or Post when wing panels are non-powered.
- Extends power through a 120° or 135° 2 or 3 way connector.
- No festoon needed for panel to panel nor 90° panel connection. (included in power panel)

RECEPTACLE 4-CIRCUIT

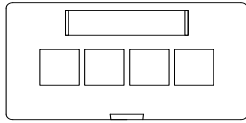


PART #	HEIGHT	WIDTH	DEPTH	WT. (LBS)	PRICE
F2RECP4.I	circuit a			0.25	\$37
F2RECP4.II	circuit b			0.25	\$37
F2RECP4.III	circuit c			0.25	\$37
F2RECP4.IIII	circuit d, dedicated			0.25	\$37
F2RECP4.II-CONT	circuit b			0.25	\$37
F2RECP4.III-CONT	circuit c			0.25	\$37

NOTES

- Locks into base power harness Provides access to I, II, III, IIII circuit, up to 20 amps.
- Provides dedicated circuit with "IIII" receptacle, up to 20 amps.
- Receptacle -CONT are permanently marked CONTROLLED on the face of the receptacle and must be connected to a timer or motion sensor at the infeed location by a licensed electrician in order to comply with California T24

DATA PORT PLATE



PART #	HEIGHT	WIDTH	DEPTH	WT. (LBS)	PRICE
F2DPP	2.125"	3.625"	0.250"	0.10	\$61

- NOTES
- This Data Port plate is used at the base of a panel to connect computers and/or communication equipment.
 -
 - 4 port locations and comes with 1 blank insert.
 - Available in BU, CW or SV finish.

POWER PANEL CONVERSION KIT

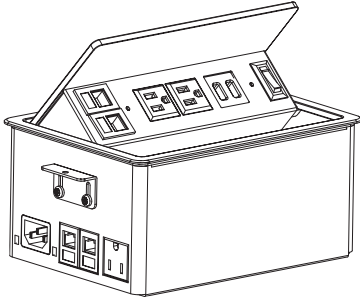
PART #	HEIGHT	WIDTH	DEPTH	WT. (LBS)	PRICE
F2PPCK.12	—	12"	—	1	\$185
F2PPCK.18	—	18"	—	1	\$185

- NOTES
- Includes:
- Power Retro— Pass Through Panel to Panel Festoon
- Order the 23" Pass-Through Festoon, if you are converting a non electrical panel with any of the following:
- 3-Way connection
 - 4-Way connection

F2PPCK.24	—	24"	—	1	\$201
F2PPCK.30	—	30"	—	2	\$226
F2PPCK.36	—	36"	—	2	\$262
F2PPCK.42	—	42"	—	2	\$295
F2PPCK.48	—	48"	—	3	\$326
F2PPCK.60	—	60"	—	5	\$392

- NOTES
- Includes:
- Power Retro
 - Base Cover with Power Cutouts
 - Panel to Panel Festoon
- Order duplex outlets separately.
- Order the 23" Pass-Through Festoon, if you are converting a non electrical panel with any of the following:
- 3-Way connection
 - 4-Way connection
 - Base cover available in DT, MT or LG

Power Grommet Worksurface Mounted



DESCRIPTION

Worksurface mounted power/data grommet

NOTES

Includes 10' coiled power cord to connect to power source, or daisy chain to next power grommet

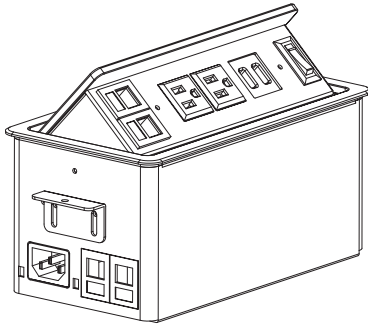
SPECIFICATION OPTIONS

product #: see charts below
finish: BA Brushed Aluminum, BC Brushed Charcoal or CW Cloud White (contact Customer Success for lead time)

ORDER EXAMPLE

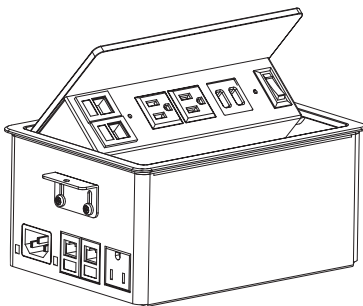
product #: FPWR.0608
finish: BA Brushed Aluminum

POWER GROMMET, 5x8



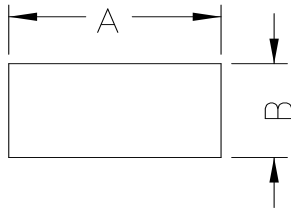
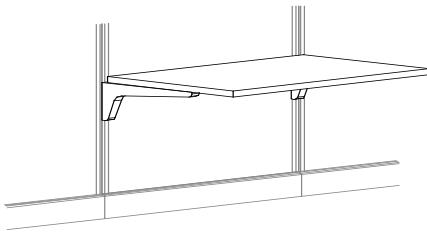
PART #	HEIGHT	WIDTH	DEPTH	PRICE	NOTES
FPWR.0508		8"	5"	\$761	<ul style="list-style-type: none"> Worksurface mounted power/data grommet, 5x8 Includes 10' coiled power cord to connect to power source Distributes up to 10 amps Above Worksurface: (2) CAT6 data ports (out), (2) power outlets, (2) USB ports Below Worksurface: (2) CAT6 data ports (in), (1) power outlet, Daisy Chain ports (in/out)

POWER GROMMET, 6x8



PART #	HEIGHT	WIDTH	DEPTH	PRICE	NOTES
FPWR.0608		8"	6"	\$761	<ul style="list-style-type: none"> Worksurface mounted power/data grommet, 6x8 Includes 10' coiled power cord to connect to power source Distributes up to 10 amps Above Worksurface: (2) CAT6 data ports (out), (2) power outlets, (2) USB ports Below Worksurface: (2) CAT6 data ports (in), (2) power outlets, Daisy Chain ports (in/out)

Rectangular Worksurface



DESCRIPTION

Worksurface hangs from a panel or Wall Strips. It has a laminate top and a PVC edge. There is a 7/8" gap at the back of the worksurface for plug and cord passage. 54" to 84" worksurfaces have a center support. Includes cantilever brackets, attachment hardware and mending plates for securing front of worksurface to adjacent worksurface

NOTES

When spanning a 3-Way Connector, order the worksurface with "-3W" at the end of the part number.
 Example: For a worksurface that would span two 30"W Panels with one 3-Way Connector, order the FSERWS.2460L-3W

SPECIFICATIONS OPTIONS

product #: see charts below
edge finish: see page 9
support finish: LG Light Gray, MT Medium Tone, DT Dark Tone
worksurface finish: see page 9
mending plate: FASS22-O-ZN-LIST \$3

ORDER EXAMPLE

product #: FSERWS.2424L
edge finish: LG
support finish: DT
worksurface finish: M1

24" D WORKSURFACES

PART #	HEIGHT	A	B	C	D	WT. (LBS)	PRICE
FSERWS.2424L	1.25"	24"	24"	—	—	30	\$304
FSERWS.2430L	1.25"	30"	24"	—	—	36	\$349
FSERWS.2436L	1.25"	36"	24"	—	—	41	\$358
FSERWS.2442L	1.25"	42"	24"	—	—	47	\$444
FSERWS.2448L	1.25"	48"	24"	—	—	53	\$452
FSERWS.2454L	1.25"	54"	24"	—	—	58	\$520
FSERWS.2460L	1.25"	60"	24"	—	—	64	\$563
FSERWS.2466L	1.25"	66"	24"	—	—	70	\$632
FSERWS.2472L	1.25"	72"	24"	—	—	76	\$647
FSERWS.2478L	1.25"	78"	24"	—	—	81	\$759
FSERWS.2484L	1.25"	84"	24"	—	—	87	\$766

Rectangular Worksurface (cont'd)

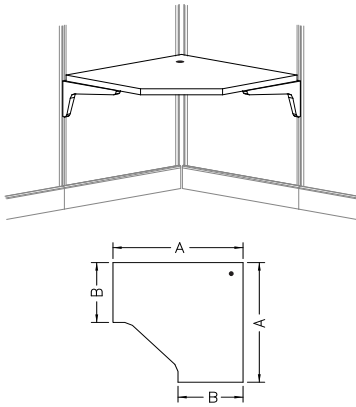
PART #	HEIGHT	A	B	C	D	WT. (LBS)	PRICE
FSERWS.2424L-3W	1.25"	27.5"	24"	—	—	30	\$436
FSERWS.2430L-3W	1.25"	33.5"	24"	—	—	36	\$479
FSERWS.2436L-3W	1.25"	39.5"	24"	—	—	41	\$492
FSERWS.2442L-3W	1.25"	45.5"	24"	—	—	47	\$572
FSERWS.2448L-3W	1.25"	51.5"	24"	—	—	53	\$586
FSERWS.2454L-3W	1.25"	57.5"	24"	—	—	58	\$652
FSERWS.2460L-3W	1.25"	63.5"	24"	—	—	64	\$697
FSERWS.2466L-3W	1.25"	69.5"	24"	—	—	70	\$762
FSERWS.2472L-3W	1.25"	75.5"	24"	—	—	76	\$777
FSERWS.2478L-3W	1.25"	81.5"	24"	—	—	81	\$890
FSERWS.2484L-3W	1.25"	87.5"	24"	—	—	87	\$897

30" D WORKSURFACES

PART #	HEIGHT	A	B	C	D	WT. (LBS)	PRICE
FSERWS.3024L	1.25"	24"	30"	—	—	38	\$404
FSERWS.3030L	1.25"	30"	30"	—	—	45	\$463
FSERWS.3036L	1.25"	36"	30"	—	—	53	\$474
FSERWS.3042L	1.25"	42"	30"	—	—	60	\$569
FSERWS.3048L	1.25"	48"	30"	—	—	66	\$582
FSERWS.3054L	1.25"	54"	30"	—	—	74	\$661
FSERWS.3060L	1.25"	60"	30"	—	—	81	\$707
FSERWS.3066L	1.25"	66"	30"	—	—	88	\$790
FSERWS.3072L	1.25"	72"	30"	—	—	95	\$805
FSERWS.3078L	1.25"	78"	30"	—	—	103	\$944
FSERWS.3084L	1.25"	84"	30"	—	—	111	\$951

PART #	HEIGHT	A	B	C	D	WT. (LBS)	PRICE
FSERWS.3024L-3W	1.25"	27.5"	30"	—	—	38	\$536
FSERWS.3030L-3W	1.25"	33.5"	30"	—	—	45	\$594
FSERWS.3036L-3W	1.25"	39.5"	30"	—	—	53	\$605
FSERWS.3042L-3W	1.25"	45.5"	30"	—	—	60	\$700
FSERWS.3048L-3W	1.25"	51.5"	30"	—	—	66	\$712
FSERWS.3054L-3W	1.25"	57.5"	30"	—	—	74	\$793
FSERWS.3060L-3W	1.25"	63.5"	30"	—	—	81	\$840
FSERWS.3066L-3W	1.25"	69.5"	30"	—	—	88	\$921
FSERWS.3072L-3W	1.25"	75.5"	30"	—	—	95	\$937
FSERWS.3078L-3W	1.25"	81.5"	30"	—	—	103	\$1,077
FSERWS.3084L-3W	1.25"	87.5"	30"	—	—	111	\$1,084

90° Notched and Curved Corner



DESCRIPTION

Worksurface hangs from a panel or Wall Strips. It has a laminate top and a PVC edge. There is a 7/8" gap at the back of the worksurface for plug and cord passage. It has 24" D or 30" D connecting sides. Includes cantilever brackets, and attachment hardware.

NOTES

- Includes one wire grommet, cantilever brackets, one corner bracket, and attachment hardware.
- Mending plates are included with rectangular worksurfaces only.
- Order mending plates separately if placing this worksurface next to another non-rectangular worksurface.

SPECIFICATION OPTIONS

product #: see charts below
edge finish: see page 9
support finish: LG Light Gray, MT Medium Tone, DT Dark Tone
worksurface finish: see page 9
mending plate: FASS22-0-ZN-LIST \$3

ORDER EXAMPLE

product #: FSECWS.2436L
edge finish: LG
support finish: DT
worksurface finish: M1

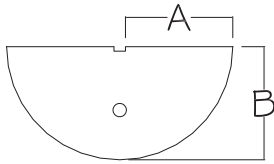
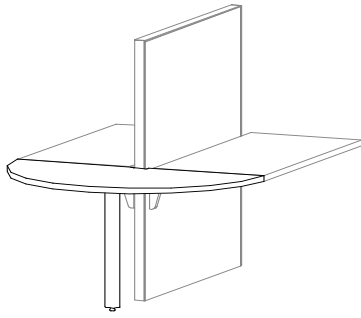
90° NOTCHED CORNER

PART #	HEIGHT	A	B	C	D	WT. (LBS)	PRICE	NOTES
FSECWS.2436L	1.25"	36" *	24"	—	—	53	\$586	* Corners are angled (not available with notched front edge)
FSECWS.2442L	1.25"	42"	24"	—	—	72	\$724	
FSECWS.2448L	1.25"	48"	24"	—	—	83	\$766	
FSECWS.3036L	1.25"	36" *	30"	—	—	60	\$651	
FSECWS.3042L	1.25"	42" *	30"	—	—	74	\$786	
FSECWS.3048L	1.25"	48"	30"	—	—	85	\$829	

90° CURVED CORNER

PART #	HEIGHT	A	B	C	D	WT. (LBS)	PRICE
FSECCWS.2436L	1.25"	36"	24"	—	—	54	\$586
FSECCWS.2442L	1.25"	42"	24"	—	—	68	\$724
FSECCWS.2448L	1.25"	48"	24"	—	—	72	\$766
FSECCWS.3036L	1.25"	36"	30"	—	—	60	\$651
FSECCWS.3042L	1.25"	42"	30"	—	—	76	\$786
FSECCWS.3048L	1.25"	48"	30"	—	—	78	\$829

Square Edge Half Circle



DESCRIPTION

This Half Circle Worksurface has a notch, and attaches to the end of two back to back Rectangular or Extended Corner Worksurfaces, and includes one Support Column Leg. It has a laminate top and a PVC edge.

NOTES

- Support Column Leg has a leveling glide and attaching hardware.
- Ships knocked down.
- Column leg finish: DT Dark Tone

SPECIFICATION OPTIONS

product #: see charts below
edge finish: see page 9
support finish: LG Light Gray, MT Medium Tone, DT Dark Tone
worksurface finish: see page 9

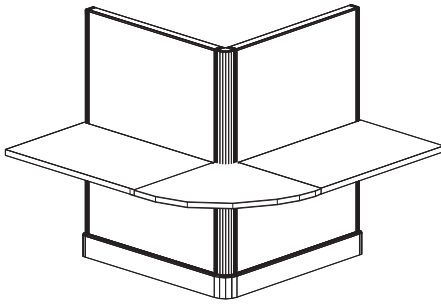
ORDER EXAMPLE

product #: FSEHCWS.50L
edge finish: LG
support finish: DT
worksurface finish: M11

SQUARE EDGE HALF CIRCLE

PART #	HEIGHT	A	B	C	D	WT. (LBS)	PRICE
FSEHCWS.50L	29"	24"	26"	—	—	55	\$1,101
FSEHCWS.60L	29"	30"	32"	—	—	67	\$1,242

Quarter Round Top



DESCRIPTION

This Worksurface attaches to the end of two worksurfaces at a 90° angle (as shown in image). It has a laminate top, and a PVC edge. Attachment hardware included

NOTES

- Ships unassembled
- Includes (1) pair shared cantilevers & mending plates

SPECIFICATION OPTIONS

product #: see charts below
edge finish: 3MM PVC, See page 9
worksurface finish: See page 9
support finish: See page 9

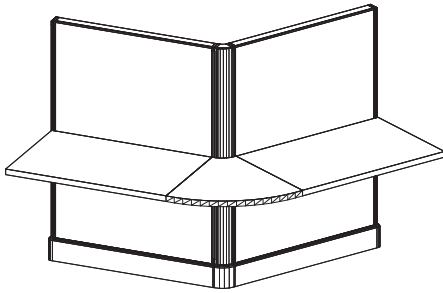
ORDER EXAMPLE

product #: FSEQWS.24L
edge finish: E1
worksurface finish: M1
support finish: CW

QUARTER ROUND TOPS

PART #	HEIGHT	DEPTH	PRICE	NOTES
FSEQWS.24L	1.25"	24"	\$567	• Notched for 2 Way

120 ° WEDGE Top



DESCRIPTION

This Worksurface attaches to the end of two worksurfaces at a 120 ° angle (as shown in image). It has a laminate top, and a PVC edge. Attachment hardware included

NOTES

- Ships unassembled
- Includes (1) pair shared cantilevers & mending plates

SPECIFICATION OPTIONS

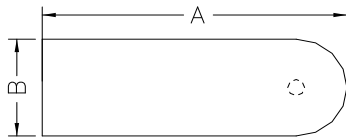
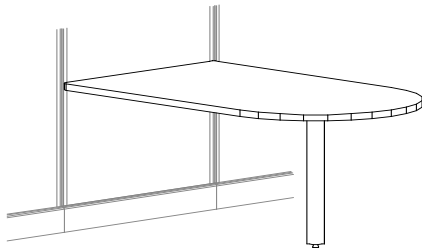
product #: see charts below
edge finish: 3MM PVC, See page 9
worksurface finish: See page 9
support finish: See page 9

ORDER EXAMPLE

product #: FS120QWG.24
edge finish: E1
worksurface finish: M1
support finish: CW

PART #	HEIGHT	DEPTH	PRICE	NOTES
FS120WDG.24	1.25"	24"	\$567	• Notched for 2 Way

Square Edge D-Shaped



DESCRIPTION

Worksurface hangs from a panel or Wall Strips. It has a laminate top and a PVC edge. There is a 7/8 " gap at the back of the worksurface for plug and cord passage. Includes one Support Column Leg.

NOTES

- Support Column Leg has a leveling glide and attaching hardware.
- Ships knocked down.
- Column leg finish: DT Dark Tone
- Mending plates are included with rectangular worksurfaces only.
- Order mending plates separately if placing this worksurface next to another non-rectangular worksurface.

SPECIFICATION OPTIONS

product #: see charts below
edge finish: see page 9
support finish: LG Light Gray, MT Medium Tone, DT Dark Tone
worksurface finish: see page 9

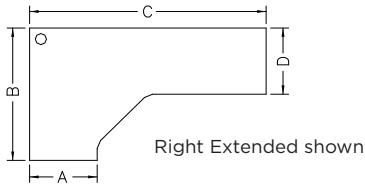
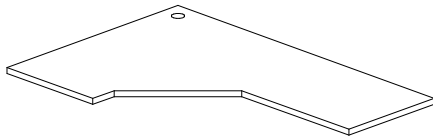
ORDER EXAMPLE

product #: FSEDSP2448L
edge finish: LG
support finish: DT
worksurface finish: M11

SQUARE EDGE HALF CIRCLE

PART #	HEIGHT	A	B	C	D	WT. (LBS)	PRICE
FSEDSP.2448L	29"	48"	24"	—	—	62	\$664
FSEDSP.3048L	29"	48"	30"	—	—	72	\$727
FSEDSP.2460L	29"	60"	24"	—	—	73	\$738
FSEDSP.3060L	29"	60"	30"	—	—	87	\$805
FSEDSP.3072L	29"	72"	30"	—	—	101	\$880
FSEDSP.3672L	29"	72"	36"	—	—	117	\$971

90° Extended Notched Corner



DESCRIPTION

Worksurface hangs from a panel or Wall Strips. It has a laminate top and a PVC edge. There is a 7/8" gap at the back of the worksurface for plug and cord passage. 54" to 84" worksurfaces have a center support.

NOTES

- Includes one wire grommet, cantilever brackets, and one corner bracket
- Specify L for left extended, and R for right extended.
- When ordering a worksurface spanning a panel and a 3-Way or two panels with a 3-Way in between the panels, you will need to:
 - add 3.5" to the length of the worksurface
 - add "-3W" to the part number
 - add \$80 to the list price

example:

Two 30" Frames with one 3-Way Connector equals to 63.5". In this case, order FSENCWS.24366024L-3W (\$563 + \$80 = \$643)

- Mending plates are included with rectangular worksurfaces only.
- Order mending plates separately if placing this worksurface next to another non-rectangular worksurface.

SPECIFICATION OPTIONS

product #: see charts below
edge finish: see page 9
support finish: LG Light Gray, MT Medium Tone, DT Dark Tone
worksurface finish: see page 9
left or right extended: L for Left, R for Right

ORDER EXAMPLE

product #: FSENCWS.24366024R
edge finish: LG
support finish: DT
worksurface finish: M11
left or right extended: R

24" D CONNECTING SIDE 24" D EXTENSION 36" D

PART #	HEIGHT	A	B	C	D	WT. (LBS)	PRICE
FSENCWS.24366024L	1.25"	24"	36"	60"	24"	74	\$777
FSENCWS.24366024R	1.25"	24"	36"	60"	24"	74	\$777
FSENCWS.24366624L	1.25"	24"	36"	66"	24"	81	\$867
FSENCWS.24366624R	1.25"	24"	36"	66"	24"	81	\$867
FSENCWS.24367224L	1.25"	24"	36"	72"	24"	87	\$879
FSENCWS.24367224R	1.25"	24"	36"	72"	24"	87	\$879
FSENCWS.24367824L	1.25"	24"	36"	78"	24"	93	\$1,055
FSENCWS.24367824R	1.25"	24"	36"	78"	24"	93	\$1,055
FSENCWS.24368424L	1.25"	24"	36"	84"	24"	99	\$1,065
FSENCWS.24368424R	1.25"	24"	36"	84"	24"	99	\$1,065

**30" D CONNECTING SIDE
30" D EXTENSION
36" D**

PART #	HEIGHT	A	B	C	D	WT. (LBS)	PRICE
FSENCWS.30366030L	1.25"	30"	36"	60"	30"	88	\$851
FSENCWS.30366030R	1.25"	30"	36"	60"	30"	88	\$851
FSENCWS.30366630L	1.25"	30"	36"	66"	30"	95	\$939
FSENCWS.30366630R	1.25"	30"	36"	66"	30"	95	\$939
FSENCWS.30367230L	1.25"	30"	36"	72"	30"	102	\$951
FSENCWS.30367230R	1.25"	30"	36"	72"	30"	102	\$951
FSENCWS.30367830L	1.25"	30"	36"	78"	30"	110	\$1,128
FSENCWS.30367830R	1.25"	30"	36"	78"	30"	110	\$1,128
FSENCWS.30368430L	1.25"	30"	36"	84"	30"	117	\$1,137
FSENCWS.30368430R	1.25"	30"	36"	84"	30"	117	\$1,137

**24" D CONNECTING SIDE
24" D EXTENSION
42" D**

PART #	HEIGHT	A	B	C	D	WT. (LBS)	PRICE
FSENCWS.24426024L	1.25"	24"	42"	60"	24"	84	\$936
FSENCWS.24426024R	1.25"	24"	42"	60"	24"	84	\$936
FSENCWS.24426624L	1.25"	24"	42"	66"	24"	91	\$1,053
FSENCWS.24426624R	1.25"	24"	42"	66"	24"	91	\$1,053
FSENCWS.24427224L	1.25"	24"	42"	72"	24"	97	\$1,067
FSENCWS.24427224R	1.25"	24"	42"	72"	24"	97	\$1,067
FSENCWS.24427824L	1.25"	24"	42"	78"	24"	103	\$1,294
FSENCWS.24427824R	1.25"	24"	42"	78"	24"	103	\$1,294
FSENCWS.24428424L	1.25"	24"	42"	84"	24"	109	\$1,310
FSENCWS.24428424R	1.25"	24"	42"	84"	24"	109	\$1,310

**30" D CONNECTING SIDE
30" D EXTENSION
42" D**

PART #	HEIGHT	A	B	C	D	WT. (LBS)	PRICE
FSENCWS.30426030L	1.25"	30"	42"	60"	30"	98	\$1,008
FSENCWS.30426030R	1.25"	30"	42"	60"	30"	98	\$1,008
FSENCWS.30426630L	1.25"	30"	42"	66"	30"	106	\$1,126
FSENCWS.30426630R	1.25"	30"	42"	66"	30"	106	\$1,126
FSENCWS.30427230L	1.25"	30"	42"	72"	30"	112	\$1,139
FSENCWS.30427230R	1.25"	30"	42"	72"	30"	112	\$1,139
FSENCWS.30427830L	1.25"	30"	42"	78"	30"	122	\$1,366
FSENCWS.30427830R	1.25"	30"	42"	78"	30"	122	\$1,366
FSENCWS.30428430L	1.25"	30"	42"	84"	30"	127	\$1,383
FSENCWS.30428430R	1.25"	30"	42"	84"	30"	127	\$1,383

90° Extended Notched Corner | Worksurface (cont'd)

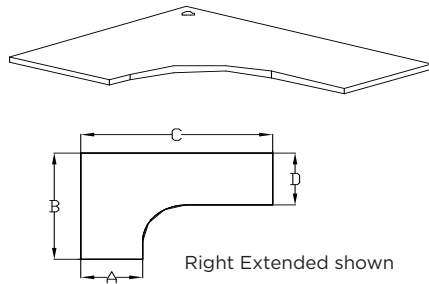
24" D CONNECTING SIDE 24" D EXTENSION 48" D

PART #	HEIGHT	A	B	C	D	WT. (LBS)	PRICE
FSENCWS.24486024L	1.25"	24"	48"	60"	24"	93	\$949
FSENCWS.24486024R	1.25"	24"	48"	60"	24"	93	\$949
FSENCWS.24486624L	1.25"	24"	48"	66"	24"	99	\$1,067
FSENCWS.24486624R	1.25"	24"	48"	66"	24"	99	\$1,067
FSENCWS.24487224L	1.25"	24"	48"	72"	24"	104	\$1,091
FSENCWS.24487224R	1.25"	24"	48"	72"	24"	104	\$1,091
FSENCWS.24487824L	1.25"	24"	48"	78"	24"	110	\$1,331
FSENCWS.24487824R	1.25"	24"	48"	78"	24"	110	\$1,331
FSENCWS.24488424L	1.25"	24"	48"	84"	24"	116	\$1,337
FSENCWS.24488424R	1.25"	24"	48"	84"	24"	116	\$1,337

30" D CONNECTING SIDE 30" D EXTENSION 48" D

PART #	HEIGHT	A	B	C	D	WT. (LBS)	PRICE
FSENCWS.30486030L	1.25"	30"	48"	60"	30"	108	\$1,021
FSENCWS.30486030R	1.25"	30"	48"	60"	30"	108	\$1,021
FSENCWS.30486630L	1.25"	30"	48"	66"	30"	116	\$1,139
FSENCWS.30486630R	1.25"	30"	48"	66"	30"	116	\$1,139
FSENCWS.30487230L	1.25"	30"	48"	72"	30"	123	\$1,166
FSENCWS.30487230R	1.25"	30"	48"	72"	30"	123	\$1,166
FSENCWS.30487830L	1.25"	30"	48"	78"	30"	134	\$1,402
FSENCWS.30487830R	1.25"	30"	48"	78"	30"	134	\$1,402
FSENCWS.30488430L	1.25"	30"	48"	84"	30"	146	\$1,410
FSENCWS.30488430R	1.25"	30"	48"	84"	30"	146	\$1,410

90° Extended Curved Corner



DESCRIPTION

Worksurface hangs from a panel or Wall Strips. It has a laminate top and a PVC edge. There is a 7/8" gap at the back of the worksurface for plug and cord passage. 60" to 84" worksurfaces have a center support.

NOTES

- Includes one wire grommet, cantilever brackets, one corner bracket, and attachment hardware.
- Specify L for left extended, and R for right extended.
- When ordering a worksurface spanning a panel and a 3-Way, or two panels with a 3-Way in between the panels, you will need to:
 - add 3.5" to the length of the worksurface
 - add "-3W" to the part number
 - add \$80 to the list price

example:

Two 30" Frames with one 3-Way Connector equals to 63.5". In this case, order FSECCWS.24366024L-3W (\$563 + \$80 = \$643)

- Mending plates are included with rectangular worksurfaces only.
- Order mending plates separately if placing this worksurface next to another non-rectangular worksurface.

SPECIFICATION OPTIONS

product #: see charts below
edge finish: see page 9
support finish: LG Light Gray, MT Medium Tone, DT Dark Tone
worksurface finish: see page 9
left or right extended: L for Left, R for Right

ORDER EXAMPLE

product #: FSECCWS.24366024R
edge finish: LG
support finish: DT
worksurface finish: M11
left or right extended: R

24" D CONNECTING SIDE 24" D EXTENSION 36" D

PART #	HEIGHT	A	B	C	D	WT. (LBS)	PRICE
FSECCWS.24366024L	1.25"	24"	36"	60"	24"	76	\$777
FSECCWS.24366024R	1.25"	24"	36"	60"	24"	76	\$777
FSECCWS.24366624L	1.25"	24"	36"	66"	24"	82	\$867
FSECCWS.24366624R	1.25"	24"	36"	66"	24"	82	\$867
FSECCWS.24367224L	1.25"	24"	36"	72"	24"	88	\$879
FSECCWS.24367224R	1.25"	24"	36"	72"	24"	88	\$879
FSECCWS.24367824L	1.25"	24"	36"	78"	24"	94	\$1,055
FSECCWS.24367824R	1.25"	24"	36"	78"	24"	94	\$1,055
FSECCWS.24368424L	1.25"	24"	36"	84"	24"	100	\$1,065
FSECCWS.24368424R	1.25"	24"	36"	84"	24"	100	\$1,065

90° Extended Curved Corner | Worksurface (cont'd)

30" D CONNECTING SIDE 30" D EXTENSION 36" D

PART #	HEIGHT	A	B	C	D	WT. (LBS)	PRICE
FSECCWS.30366030L	1.25"	30"	36"	60"	30"	87	\$851
FSECCWS.30366030R	1.25"	30"	36"	60"	30"	87	\$851
FSECCWS.30366630L	1.25"	30"	36"	66"	30"	95	\$939
FSECCWS.30366630R	1.25"	30"	36"	66"	30"	95	\$939
FSECCWS.30367230L	1.25"	30"	36"	72"	30"	102	\$951
FSECCWS.30367230R	1.25"	30"	36"	72"	30"	102	\$951
FSECCWS.30367830L	1.25"	30"	36"	78"	30"	110	\$1,128
FSECCWS.30367830R	1.25"	30"	36"	78"	30"	110	\$1,128
FSECCWS.30368430L	1.25"	30"	36"	84"	30"	117	\$1,137
FSECCWS.30368430R	1.25"	30"	36"	84"	30"	117	\$1,137

24" D CONNECTING SIDE 24" D EXTENSION 42" D

PART #	HEIGHT	A	B	C	D	WT. (LBS)	PRICE
FSECCWS.24426024L	1.25"	24"	42"	60"	24"	83	\$936
FSECCWS.24426024R	1.25"	24"	42"	60"	24"	83	\$936
FSECCWS.24426624L	1.25"	24"	42"	66"	24"	89	\$1,053
FSECCWS.24426624R	1.25"	24"	42"	66"	24"	89	\$1,053
FSECCWS.24427224L	1.25"	24"	42"	72"	24"	95	\$1,067
FSECCWS.24427224R	1.25"	24"	42"	72"	24"	95	\$1,067
FSECCWS.24427824L	1.25"	24"	42"	78"	24"	101	\$1,294
FSECCWS.24427824R	1.25"	24"	42"	78"	24"	101	\$1,294
FSECCWS.24428424L	1.25"	24"	42"	84"	24"	106	\$1,310
FSECCWS.24428424R	1.25"	24"	42"	84"	24"	106	\$1,310

30" D CONNECTING SIDE 30" D EXTENSION 42" D

PART #	HEIGHT	A	B	C	D	WT. (LBS)	PRICE
FSECCWS.30426030L	1.25"	30"	42"	60"	30"	95	\$1,008
FSECCWS.30426030R	1.25"	30"	42"	60"	30"	95	\$1,008
FSECCWS.30426630L	1.25"	30"	42"	66"	30"	103	\$1,126
FSECCWS.30426630R	1.25"	30"	42"	66"	30"	103	\$1,126
FSECCWS.30427230L	1.25"	30"	42"	72"	30"	110	\$1,139
FSECCWS.30427230R	1.25"	30"	42"	72"	30"	110	\$1,139
FSECCWS.30427830L	1.25"	30"	42"	78"	30"	118	\$1,366
FSECCWS.30427830R	1.25"	30"	42"	78"	30"	118	\$1,366
FSECCWS.30428430L	1.25"	30"	42"	84"	30"	125	\$1,383
FSECCWS.30428430R	1.25"	30"	42"	84"	30"	125	\$1,383

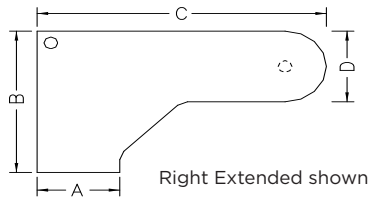
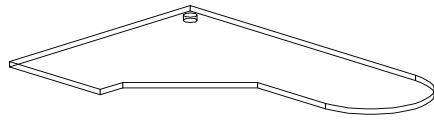
**24" D CONNECTING SIDE
24" D EXTENSION
48" D**

PART #	HEIGHT	A	B	C	D	WT. (LBS)	PRICE
FSECCWS.24486024L	1.25"	24"	48"	60"	24"	89	\$949
FSECCWS.24486024R	1.25"	24"	48"	60"	24"	89	\$949
FSECCWS.24486624L	1.25"	24"	48"	66"	24"	95	\$1,067
FSECCWS.24486624R	1.25"	24"	48"	66"	24"	95	\$1,067
FSECCWS.24487224L	1.25"	24"	48"	72"	24"	101	\$1,091
FSECCWS.24487224R	1.25"	24"	48"	72"	24"	101	\$1,091
FSECCWS.24487824L	1.25"	24"	48"	78"	24"	107	\$1,331
FSECCWS.24487824R	1.25"	24"	48"	78"	24"	107	\$1,331
FSECCWS.24488424L	1.25"	24"	48"	84"	24"	112	\$1,337
FSECCWS.24488424R	1.25"	24"	48"	84"	24"	112	\$1,337

**30" D CONNECTING SIDE
30" D EXTENSION
48" D**

PART #	HEIGHT	A	B	C	D	WT. (LBS)	PRICE
FSECCWS.30486030L	1.25"	30"	48"	60"	30"	104	\$1,021
FSECCWS.30486030R	1.25"	30"	48"	60"	30"	104	\$1,021
FSECCWS.30486630L	1.25"	30"	48"	66"	30"	112	\$1,139
FSECCWS.30486630R	1.25"	30"	48"	66"	30"	112	\$1,139
FSECCWS.30487230L	1.25"	30"	48"	72"	30"	119	\$1,166
FSECCWS.30487230R	1.25"	30"	48"	72"	30"	119	\$1,166
FSECCWS.30487830L	1.25"	30"	48"	78"	30"	126	\$1,402
FSECCWS.30487830R	1.25"	30"	48"	78"	30"	126	\$1,402
FSECCWS.30488430L	1.25"	30"	48"	84"	30"	133	\$1,410
FSECCWS.30488430R	1.25"	30"	48"	84"	30"	133	\$1,410

90° Extended Notched Corner Peninsula



DESCRIPTION

Worksurface hangs from a panel or Wall Strips. It has a laminate top and a PVC edge. There is a 7/8" gap at the back of the worksurface for plug and cord passage. 54" to 84" worksurfaces have a support center.

NOTES

- Includes one wire grommet, cantilever brackets, one corner bracket.
- Specify L for left extended, and R for right extended.
- Includes one Support Column Leg.
- Column Leg Finish: DT Dark Tone.
- Mending plates are included with rectangular worksurfaces only.
- Order mending plates separately if placing this worksurface next to another non-rectangular worksurface.

SPECIFICATION OPTIONS

product #: see charts below
edge finish: see page 9
support finish: LG Light Gray, MT Medium Tone, DT Dark Tone
worksurface finish: see page 9
mending plate: FASS22-0-ZN-LIST \$3
left or right extended: L for Left, R for Right

ORDER EXAMPLE

product #: FSENC PWS.24366024R
edge finish: LG
support finish: DT
worksurface finish: M11
left or right extended: R

24" D CONNECTING SIDE 24" D EXTENSION 36" D

PART #	HEIGHT	A	B	C	D	WT. (LBS)	PRICE
FSENC PWS.24366024L	1.25"	24"	36"	60"	24"	89	\$1,065
FSENC PWS.24366024R	1.25"	24"	36"	60"	24"	89	\$1,065
FSENC PWS.24366624L	1.25"	24"	36"	66"	24"	95	\$1,170
FSENC PWS.24366624R	1.25"	24"	36"	66"	24"	95	\$1,170
FSENC PWS.24367224L	1.25"	24"	36"	72"	24"	101	\$1,170
FSENC PWS.24367224R	1.25"	24"	36"	72"	24"	101	\$1,170
FSENC PWS.24367824L	1.25"	24"	36"	78"	24"	107	\$1,387
FSENC PWS.24367824R	1.25"	24"	36"	78"	24"	107	\$1,387
FSENC PWS.24368424L	1.25"	24"	36"	84"	24"	112	\$1,415
FSENC PWS.24368424R	1.25"	24"	36"	84"	24"	112	\$1,415

24" D CONNECTING SIDE 24" D EXTENSION 42" D

PART #	HEIGHT	A	B	C	D	WT. (LBS)	PRICE
FSENC PWS.24426024L	1.25"	24"	42"	60"	24"	97	\$1,210
FSENC PWS.24426024R	1.25"	24"	42"	60"	24"	97	\$1,210
FSENC PWS.24426624L	1.25"	24"	42"	66"	24"	103	\$1,342
FSENC PWS.24426624R	1.25"	24"	42"	66"	24"	103	\$1,342
FSENC PWS.24427224L	1.25"	24"	42"	72"	24"	109	\$1,366
FSENC PWS.24427224R	1.25"	24"	42"	72"	24"	109	\$1,366
FSENC PWS.24427824L	1.25"	24"	42"	78"	24"	114	\$1,660
FSENC PWS.24427824R	1.25"	24"	42"	78"	24"	114	\$1,660
FSENC PWS.24428424L	1.25"	24"	42"	84"	24"	120	\$1,668
FSENC PWS.24428424R	1.25"	24"	42"	84"	24"	120	\$1,668

**24" D CONNECTING SIDE
24" D EXTENSION
48" D**

PART #	HEIGHT	A	B	C	D	WT. (LBS)	PRICE
FSENC PWS.24486024L	1.25"	24"	48"	60"	24"	104	\$1,087
FSENC PWS.24486024R	1.25"	24"	48"	60"	24"	104	\$1,087
FSENC PWS.24486624L	1.25"	24"	48"	66"	24"	110	\$1,204
FSENC PWS.24486624R	1.25"	24"	48"	66"	24"	110	\$1,204
FSENC PWS.24487224L	1.25"	24"	48"	72"	24"	116	\$1,226
FSENC PWS.24487224R	1.25"	24"	48"	72"	24"	116	\$1,226
FSENC PWS.24487824L	1.25"	24"	48"	78"	24"	121	\$1,489
FSENC PWS.24487824R	1.25"	24"	48"	78"	24"	121	\$1,489
FSENC PWS.24488424L	1.25"	24"	48"	84"	24"	127	\$1,494
FSENC PWS.24488424R	1.25"	24"	48"	84"	24"	127	\$1,494

**24" D CONNECTING SIDE
30" D EXTENSION
36" D**

PART #	HEIGHT	A	B	C	D	WT. (LBS)	PRICE
FSENC PWS.24366030L	1.25"	24"	36"	60"	30"	94	\$1,065
FSENC PWS.24366030R	1.25"	24"	36"	60"	30"	94	\$1,065
FSENC PWS.24366630L	1.25"	24"	36"	66"	30"	102	\$1,170
FSENC PWS.24366630R	1.25"	24"	36"	66"	30"	102	\$1,170
FSENC PWS.24367230L	1.25"	24"	36"	72"	30"	109	\$1,195
FSENC PWS.24367230R	1.25"	24"	36"	72"	30"	109	\$1,195
FSENC PWS.24367830L	1.25"	24"	36"	78"	30"	116	\$1,387
FSENC PWS.24367830R	1.25"	24"	36"	78"	30"	116	\$1,387
FSENC PWS.24368430L	1.25"	24"	36"	84"	30"	123	\$1,415
FSENC PWS.24368430R	1.25"	24"	36"	84"	30"	123	\$1,415

90° Extended Notched Corner Peninsula (cont'd)

24" D CONNECTING SIDE
30" D EXTENSION
42" D

PART #	HEIGHT	A	B	C	D	WT. (LBS)	PRICE
FSENC PWS.24426030L	1.25"	24"	42"	60"	30"	102	\$1,210
FSENC PWS.24426030R	1.25"	24"	42"	60"	30"	102	\$1,210
FSENC PWS.24426630L	1.25"	24"	42"	66"	30"	110	\$1,342
FSENC PWS.24426630R	1.25"	24"	42"	66"	30"	110	\$1,342
FSENC PWS.24427230L	1.25"	24"	42"	72"	30"	117	\$1,366
FSENC PWS.24427230R	1.25"	24"	42"	72"	30"	117	\$1,366
FSENC PWS.24427830L	1.25"	24"	42"	78"	30"	124	\$1,660
FSENC PWS.24427830R	1.25"	24"	42"	78"	30"	124	\$1,660
FSENC PWS.24428430L	1.25"	24"	42"	84"	30"	131	\$1,668
FSENC PWS.24428430R	1.25"	24"	42"	84"	30"	131	\$1,668

24" D CONNECTING SIDE
30" D EXTENSION
48" D

PART #	HEIGHT	A	B	C	D	WT. (LBS)	PRICE
FSENC PWS.24486030L	1.25"	24"	48"	60"	30"	111	\$1,217
FSENC PWS.24486030R	1.25"	24"	48"	60"	30"	111	\$1,217
FSENC PWS.24486630L	1.25"	24"	48"	66"	30"	119	\$1,348
FSENC PWS.24486630R	1.25"	24"	48"	66"	30"	119	\$1,348
FSENC PWS.24487230L	1.25"	24"	48"	72"	30"	126	\$1,373
FSENC PWS.24487230R	1.25"	24"	48"	72"	30"	126	\$1,373
FSENC PWS.24487830L	1.25"	24"	48"	78"	30"	133	\$1,668
FSENC PWS.24487830R	1.25"	24"	48"	78"	30"	133	\$1,668
FSENC PWS.24488430L	1.25"	24"	48"	84"	30"	140	\$1,673
FSENC PWS.24488430R	1.25"	24"	48"	84"	30"	140	\$1,673

30" D CONNECTING SIDE
30" D EXTENSION
36" D

PART #	HEIGHT	A	B	C	D	WT. (LBS)	PRICE
FSENC PWS.30366030L	1.25"	30"	36"	60"	30"	95	\$1,137
FSENC PWS.30366030R	1.25"	30"	36"	60"	30"	95	\$1,137
FSENC PWS.30366630L	1.25"	30"	36"	66"	30"	103	\$1,243
FSENC PWS.30366630R	1.25"	30"	36"	66"	30"	103	\$1,243
FSENC PWS.30367230L	1.25"	30"	36"	72"	30"	110	\$1,269
FSENC PWS.30367230R	1.25"	30"	36"	72"	30"	110	\$1,269
FSENC PWS.30367830L	1.25"	30"	36"	78"	30"	118	\$1,459
FSENC PWS.30367830R	1.25"	30"	36"	78"	30"	118	\$1,459
FSENC PWS.30368430L	1.25"	30"	36"	84"	30"	125	\$1,488
FSENC PWS.30368430R	1.25"	30"	36"	84"	30"	125	\$1,488

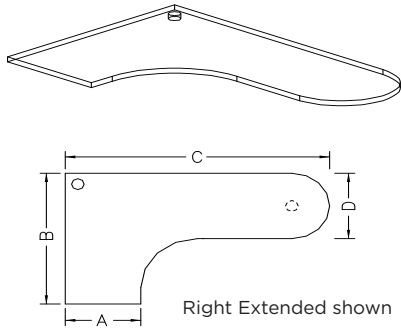
**30" D CONNECTING SIDE
30" D EXTENSION
42" D**

PART #	HEIGHT	A	B	C	D	WT. (LBS)	PRICE
FSENCPWS.30426030L	1.25"	30"	42"	60"	30"	106	\$1,284
FSENCPWS.30426030R	1.25"	30"	42"	60"	30"	106	\$1,284
FSENCPWS.30426630L	1.25"	30"	42"	66"	30"	114	\$1,416
FSENCPWS.30426630R	1.25"	30"	42"	66"	30"	114	\$1,416
FSENCPWS.30427230L	1.25"	30"	42"	72"	30"	121	\$1,440
FSENCPWS.30427230R	1.25"	30"	42"	72"	30"	121	\$1,440
FSENCPWS.30427830L	1.25"	30"	42"	78"	30"	128	\$1,688
FSENCPWS.30427830R	1.25"	30"	42"	78"	30"	128	\$1,688
FSENCPWS.30428430L	1.25"	30"	42"	84"	30"	135	\$1,716
FSENCPWS.30428430R	1.25"	30"	42"	84"	30"	135	\$1,716

**30" D CONNECTING SIDE
30" D EXTENSION
48" D**

PART #	HEIGHT	A	B	C	D	WT. (LBS)	PRICE
FSENCPWS.30486030L	1.25"	30"	48"	60"	30"	116	\$1,291
FSENCPWS.30486030R	1.25"	30"	48"	60"	30"	116	\$1,291
FSENCPWS.30486630L	1.25"	30"	48"	66"	30"	124	\$1,424
FSENCPWS.30486630R	1.25"	30"	48"	66"	30"	124	\$1,424
FSENCPWS.30487230L	1.25"	30"	48"	72"	30"	131	\$1,448
FSENCPWS.30487230R	1.25"	30"	48"	72"	30"	131	\$1,448
FSENCPWS.30487830L	1.25"	30"	48"	78"	30"	138	\$1,692
FSENCPWS.30487830R	1.25"	30"	48"	78"	30"	138	\$1,692
FSENCPWS.30488430L	1.25"	30"	48"	84"	30"	144	\$1,723
FSENCPWS.30488430R	1.25"	30"	48"	84"	30"	144	\$1,723

Extended Curved Corner Peninsula



DESCRIPTION

Worksurface hangs from a panel or Wall Strips. It has a laminate top and a PVC edge. There is a 7/8" gap at the back of the worksurface for plug and cord passage.

NOTES

- Includes one wire grommet, cantilever brackets, one corner bracket, and attachment hardware.
- Specify L for left extended, and R for right extended.
- Includes one Support Column Leg.
- Column Leg Finish: DT Dark Tone.
- Mending plates are included with rectangular worksurfaces only.
- Order mending plates separately if placing this worksurface next to another non-rectangular worksurface.

SPECIFICATION OPTIONS

product #: see charts below
edge finish: see page 9
support finish: LG Light Gray, MT Medium Tone, DT Dark Tone
worksurface finish: page 9
left or right extended: L for Left, R for Right

ORDER EXAMPLE

product #: FSECCPWS.24366024L
edge finish: LG
support finish: DT
worksurface finish: M11
left or right extended: L

24" D CONNECTING SIDE 24" D EXTENSION 36" D

PART #	HEIGHT	A	B	C	D	WT. (LBS)	PRICE
FSECCPWS.24366024L	1.25"	24"	36"	60"	24"	87	\$1,065
FSECCPWS.24366024R	1.25"	24"	36"	60"	24"	87	\$1,065
FSECCPWS.24366624L	1.25"	24"	36"	66"	24"	93	\$1,170
FSECCPWS.24366624R	1.25"	24"	36"	66"	24"	93	\$1,170
FSECCPWS.24367224L	1.25"	24"	36"	72"	24"	99	\$1,195
FSECCPWS.24367224R	1.25"	24"	36"	72"	24"	99	\$1,195
FSECCPWS.24367824L	1.25"	24"	36"	78"	24"	105	\$1,387
FSECCPWS.24367824R	1.25"	24"	36"	78"	24"	105	\$1,387
FSECCPWS.24368424L	1.25"	24"	36"	84"	24"	110	\$1,415
FSECCPWS.24368424R	1.25"	24"	36"	84"	24"	110	\$1,415

24" D CONNECTING SIDE 24" D EXTENSION 42" D

PART #	HEIGHT	A	B	C	D	WT. (LBS)	PRICE
FSECCPWS.24426024L	1.25"	24"	42"	60"	24"	94	\$1,210
FSECCPWS.24426024R	1.25"	24"	42"	60"	24"	94	\$1,210
FSECCPWS.24426624L	1.25"	24"	42"	66"	24"	100	\$1,342
FSECCPWS.24426624R	1.25"	24"	42"	66"	24"	100	\$1,342
FSECCPWS.24427224L	1.25"	24"	42"	72"	24"	106	\$1,366
FSECCPWS.24427224R	1.25"	24"	42"	72"	24"	106	\$1,366
FSECCPWS.24427824L	1.25"	24"	42"	78"	24"	111	\$1,660
FSECCPWS.24427824R	1.25"	24"	42"	78"	24"	111	\$1,660
FSECCPWS.24428424L	1.25"	24"	42"	84"	24"	116	\$1,668
FSECCPWS.24428424R	1.25"	24"	42"	84"	24"	116	\$1,668

**24" D CONNECTING SIDE
24" D EXTENSION
48" D**

PART #	HEIGHT	A	B	C	D	WT. (LBS)	PRICE
FSECCPWS.24486024L	1.25"	24"	48"	60"	24"	101	\$1,217
FSECCPWS.24486024R	1.25"	24"	48"	60"	24"	101	\$1,217
FSECCPWS.24486624L	1.25"	24"	48"	66"	24"	107	\$1,348
FSECCPWS.24486624R	1.25"	24"	48"	66"	24"	107	\$1,348
FSECCPWS.24487224L	1.25"	24"	48"	72"	24"	112	\$1,348
FSECCPWS.24487224R	1.25"	24"	48"	72"	24"	112	\$1,348
FSECCPWS.24487824L	1.25"	24"	48"	78"	24"	118	\$1,373
FSECCPWS.24487824R	1.25"	24"	48"	78"	24"	118	\$1,373
FSECCPWS.24488424L	1.25"	24"	48"	84"	24"	124	\$1,668
FSECCPWS.24488424R	1.25"	24"	48"	84"	24"	124	\$1,668

**24" D CONNECTING SIDE
30" D EXTENSION
36" D**

PART #	HEIGHT	A	B	C	D	WT. (LBS)	PRICE
FSECCPWS.24366030L	1.25"	24"	36"	60"	30"	94	\$1,065
FSECCPWS.24366030R	1.25"	24"	36"	60"	30"	94	\$1,065
FSECCPWS.24366630L	1.25"	24"	36"	66"	30"	101	\$1,170
FSECCPWS.24366630R	1.25"	24"	36"	66"	30"	101	\$1,170
FSECCPWS.24367230L	1.25"	24"	36"	72"	30"	108	\$1,195
FSECCPWS.24367230R	1.25"	24"	36"	72"	30"	108	\$1,195
FSECCPWS.24367830L	1.25"	24"	36"	78"	30"	115	\$1,387
FSECCPWS.24367830R	1.25"	24"	36"	78"	30"	115	\$1,387
FSECCPWS.24368430L	1.25"	24"	36"	84"	30"	123	\$1,415
FSECCPWS.24368430R	1.25"	24"	36"	84"	30"	123	\$1,415

Extended Curved Corner Peninsula (cont'd)

**24" D CONNECTING SIDE
30" D EXTENSION
42" D**

PART #	HEIGHT	A	B	C	D	WT. (LBS)	PRICE
FSECCPWS.24426030L	1.25"	24"	42"	60"	30"	100	\$1,210
FSECCPWS.24426030R	1.25"	24"	42"	60"	30"	100	\$1,210
FSECCPWS.24426630L	1.25"	24"	42"	66"	30"	107	\$1,342
FSECCPWS.24426630R	1.25"	24"	42"	66"	30"	107	\$1,342
FSECCPWS.24427230L	1.25"	24"	42"	72"	30"	113	\$1,366
FSECCPWS.24427230R	1.25"	24"	42"	72"	30"	113	\$1,366
FSECCPWS.24427830L	1.25"	24"	42"	78"	30"	120	\$1,660
FSECCPWS.24427830R	1.25"	24"	42"	78"	30"	120	\$1,660
FSECCPWS.24428430L	1.25"	24"	42"	84"	30"	126	\$1,668
FSECCPWS.24428430R	1.25"	24"	42"	84"	30"	126	\$1,668

**24" D CONNECTING SIDE
30" D EXTENSION
48" D**

PART #	HEIGHT	A	B	C	D	WT. (LBS)	PRICE
FSECCPWS.24486030L	1.25"	24"	48"	60"	30"	107	\$1,217
FSECCPWS.24486030R	1.25"	24"	48"	60"	30"	107	\$1,217
FSECCPWS.24486630L	1.25"	24"	48"	66"	30"	113	\$1,348
FSECCPWS.24486630R	1.25"	24"	48"	66"	30"	113	\$1,348
FSECCPWS.24487230L	1.25"	24"	48"	72"	30"	118	\$1,373
FSECCPWS.24487230R	1.25"	24"	48"	72"	30"	118	\$1,373
FSECCPWS.24487830L	1.25"	24"	48"	78"	30"	124	\$1,668
FSECCPWS.24487830R	1.25"	24"	48"	78"	30"	124	\$1,668
FSECCPWS.24488430L	1.25"	24"	48"	84"	30"	129	\$1,673
FSECCPWS.24488430R	1.25"	24"	48"	84"	30"	129	\$1,673

**30" D CONNECTING SIDE
30" D EXTENSION
36" D**

PART #	HEIGHT	A	B	C	D	WT. (LBS)	PRICE
FSECCPWS.30366030L	1.25"	30"	36"	60"	30"	95	\$1,137
FSECCPWS.30366030R	1.25"	30"	36"	60"	30"	95	\$1,137
FSECCPWS.30366630L	1.25"	30"	36"	66"	30"	103	\$1,243
FSECCPWS.30366630R	1.25"	30"	36"	66"	30"	103	\$1,243
FSECCPWS.30367230L	1.25"	30"	36"	72"	30"	110	\$1,269
FSECCPWS.30367230R	1.25"	30"	36"	72"	30"	110	\$1,269
FSECCPWS.30367830L	1.25"	30"	36"	78"	30"	117	\$1,459
FSECCPWS.30367830R	1.25"	30"	36"	78"	30"	117	\$1,459
FSECCPWS.30368430L	1.25"	30"	36"	84"	30"	124	\$1,488
FSECCPWS.30368430R	1.25"	30"	36"	84"	30"	124	\$1,488

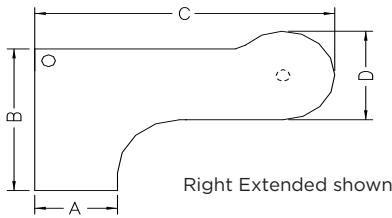
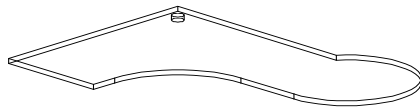
**30" D CONNECTING SIDE
30" D EXTENSION
42" D**

PART #	HEIGHT	A	B	C	D	WT. (LBS)	PRICE
FSECCPWS.30426030L	1.25"	30"	42"	60"	30"	101	\$1,284
FSECCPWS.30426030R	1.25"	30"	42"	60"	30"	101	\$1,284
FSECCPWS.30426630L	1.25"	30"	42"	66"	30"	108	\$1,416
FSECCPWS.30426630R	1.25"	30"	42"	66"	30"	108	\$1,416
FSECCPWS.30427230L	1.25"	30"	42"	72"	30"	114	\$1,440
FSECCPWS.30427230R	1.25"	30"	42"	72"	30"	114	\$1,440
FSECCPWS.30427830L	1.25"	30"	42"	78"	30"	120	\$1,688
FSECCPWS.30427830R	1.25"	30"	42"	78"	30"	120	\$1,688
FSECCPWS.30428430L	1.25"	30"	42"	84"	30"	127	\$1,716
FSECCPWS.30428430R	1.25"	30"	42"	84"	30"	127	\$1,716

**30" D CONNECTING SIDE
30" D EXTENSION
48" D**

PART #	HEIGHT	A	B	C	D	WT. (LBS)	PRICE
FSECCPWS.30486030L	1.25"	30"	48"	60"	30"	107	\$1,291
FSECCPWS.30486030R	1.25"	30"	48"	60"	30"	107	\$1,291
FSECCPWS.30486630L	1.25"	30"	48"	66"	30"	113	\$1,424
FSECCPWS.30486630R	1.25"	30"	48"	66"	30"	113	\$1,424
FSECCPWS.30487230L	1.25"	30"	48"	72"	30"	118	\$1,448
FSECCPWS.30487230R	1.25"	30"	48"	72"	30"	118	\$1,448
FSECCPWS.30487830L	1.25"	30"	48"	78"	30"	124	\$1,692
FSECCPWS.30487830R	1.25"	30"	48"	78"	30"	124	\$1,692
FSECCPWS.30488430L	1.25"	30"	48"	84"	30"	129	\$1,723
FSECCPWS.30488430R	1.25"	30"	48"	84"	30"	129	\$1,723

Extended Curved Corner | P-Shape Peninsula Worksurface



DESCRIPTION

Worksurface hangs from a panel or Wall Strips. It has a laminate top and a PVC edge. There is a 7/8" gap at the back of the worksurface for plug and cord passage.

NOTES

- Includes one wire grommet, cantilever brackets, one corner bracket, and attachment hardware.
- Specify L for left extended, and R for right extended.
- Includes one Support Column Leg.
- Column Leg Finish: DT Dark Tone.
- Mending plates are included with rectangular worksurfaces only.
- Order mending plates separately if placing this worksurface next to another non-rectangular worksurface.

SPECIFICATION OPTIONS

product #: see charts below
edge finish: see page 9
support finish: LG Light Gray, MT Medium Tone, DT Dark Tone
worksurface finish: see page 9
left or right extended: L for Left, R for Right

ORDER EXAMPLE

product #: FSECCPPWS.24426024R
edge finish: LG
support finish: DT
worksurface finish: M11
left or right extended: R

24" D CONNECTING SIDES 42" D

PART #	HEIGHT	A	B	C	D	WT. (LBS)	PRICE
FSECCPPWS.24426024L	1.25"	24"	42"	60"	36"	105	\$1,448
FSECCPPWS.24426024R	1.25"	24"	42"	60"	36"	105	\$1,448
FSECCPPWS.24426624L	1.25"	24"	42"	66"	36"	112	\$1,478
FSECCPPWS.24426624R	1.25"	24"	42"	66"	36"	112	\$1,478
FSECCPPWS.24427224L	1.25"	24"	42"	72"	36"	119	\$1,735
FSECCPPWS.24427224R	1.25"	24"	42"	72"	36"	119	\$1,735
FSECCPPWS.24427824L	1.25"	24"	42"	78"	36"	126	\$1,772
FSECCPPWS.24427824R	1.25"	24"	42"	78"	36"	126	\$1,772
FSECCPPWS.24428424L	1.25"	24"	42"	84"	36"	134	\$1,582
FSECCPPWS.24428424R	1.25"	24"	42"	84"	36"	134	\$1,582

24" D CONNECTING SIDES 48" D

PART #	HEIGHT	A	B	C	D	WT. (LBS)	PRICE
FSECCPPWS.24486024L	1.25"	24"	48"	60"	36"	113	\$1,453
FSECCPPWS.24486024R	1.25"	24"	48"	60"	36"	113	\$1,453
FSECCPPWS.24486624L	1.25"	24"	48"	66"	36"	120	\$1,620
FSECCPPWS.24486624R	1.25"	24"	48"	66"	36"	120	\$1,620
FSECCPPWS.24487224L	1.25"	24"	48"	72"	36"	127	\$1,650
FSECCPPWS.24487224R	1.25"	24"	48"	72"	36"	127	\$1,650
FSECCPPWS.24487824L	1.25"	24"	48"	78"	36"	134	\$1,961
FSECCPPWS.24487824R	1.25"	24"	48"	78"	36"	134	\$1,961
FSECCPPWS.24488424L	1.25"	24"	48"	84"	36"	141	\$2,001
FSECCPPWS.24488424R	1.25"	24"	48"	84"	36"	141	\$2,001

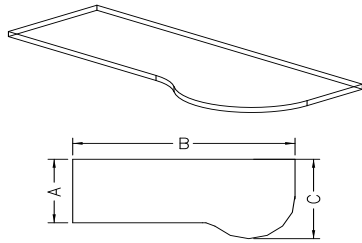
**30" D CONNECTING SIDES
42" D**

PART #	HEIGHT	A	B	C	D	WT. (LBS)	PRICE
FSECCPPWS.30426030L	1.25"	30"	42"	60"	36"	109	\$1,382
FSECCPPWS.30426030R	1.25"	30"	42"	60"	36"	109	\$1,382
FSECCPPWS.30426630L	1.25"	30"	42"	66"	36"	116	\$1,519
FSECCPPWS.30426630R	1.25"	30"	42"	66"	36"	116	\$1,519
FSECCPPWS.30427230L	1.25"	30"	42"	72"	36"	123	\$1,550
FSECCPPWS.30427230R	1.25"	30"	42"	72"	36"	123	\$1,550
FSECCPPWS.30427830L	1.25"	30"	42"	78"	36"	131	\$1,807
FSECCPPWS.30427830R	1.25"	30"	42"	78"	36"	131	\$1,807
FSECCPPWS.30428430L	1.25"	30"	42"	84"	36"	138	\$1,847
FSECCPPWS.30428430R	1.25"	30"	42"	84"	36"	138	\$1,847

**30" D CONNECTING SIDES
48" D**

PART #	HEIGHT	A	B	C	D	WT. (LBS)	PRICE
FSECCPPWS.30486030L	1.25"	30"	48"	60"	36"	116	\$1,525
FSECCPPWS.30486030R	1.25"	30"	48"	60"	36"	116	\$1,525
FSECCPPWS.30486630L	1.25"	30"	48"	66"	36"	123	\$1,691
FSECCPPWS.30486630R	1.25"	30"	48"	66"	36"	123	\$1,691
FSECCPPWS.30487230L	1.25"	30"	48"	72"	36"	132	\$1,724
FSECCPPWS.30487230R	1.25"	30"	48"	72"	36"	132	\$1,724
FSECCPPWS.30487830L	1.25"	30"	48"	78"	36"	139	\$2,032
FSECCPPWS.30487830R	1.25"	30"	48"	78"	36"	139	\$2,032
FSECCPPWS.30488430L	1.25"	30"	48"	84"	36"	146	\$2,072
FSECCPPWS.30488430R	1.25"	30"	48"	84"	36"	146	\$2,072

Ellipse End Peninsula



Right Extended shown

DESCRIPTION

Worksurface hangs from a panel or Wall Strips. It has a laminate top and a PVC edge. There is a 7/8" gap at the back of the worksurface for plug and cord passage. 60" to 84" worksurfaces have center support.

NOTES

- Includes cantilever brackets and attachment hardware.
- Mending plates are included with rectangular worksurfaces only.
- Order mending plates separately if placing this worksurface next to another non-rectangular worksurface.

SPECIFICATION OPTIONS

product #: see charts below
edge finish: see page 9
support finish: LG Light Gray, MT Medium Tone, DT Dark Tone
worksurface finish: see page 9

ORDER EXAMPLE

product #: FSEEPWS.246030
edge finish: LG
support finish: LG
worksurface finish: M11

24" D LEFT 30" D RIGHT

PART #	HEIGHT	A	B	C	D	WT. (LBS)	PRICE
FSEEPWS.246030	1.25"	24"	60"	30"	—	52	\$843
FSEEPWS.246630	1.25"	24"	66"	30"	—	59	\$931
FSEEPWS.247230	1.25"	24"	72"	30"	—	66	\$954
FSEEPWS.247830	1.25"	24"	78"	30"	—	74	\$1,116
FSEEPWS.248430	1.25"	24"	84"	30"	—	81	\$1,141

30" D LEFT 24" D RIGHT

PART #	HEIGHT	A	B	C	D	WT. (LBS)	PRICE
FSEEPWS.306024	1.25"	30"	60"	24"	—	52	\$843
FSEEPWS.306624	1.25"	30"	66"	24"	—	59	\$931
FSEEPWS.307224	1.25"	30"	72"	24"	—	66	\$954
FSEEPWS.307824	1.25"	30"	78"	24"	—	74	\$1,116
FSEEPWS.308424	1.25"	30"	84"	24"	—	81	\$1,141

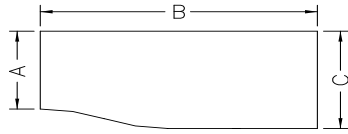
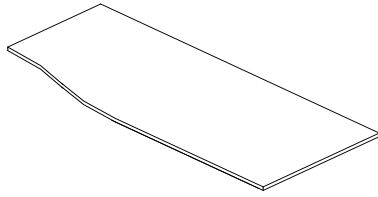
30" D LEFT 36" D RIGHT

PART #	HEIGHT	A	B	C	D	WT. (LBS)	PRICE
FSEEPWS.306036	1.25"	30"	60"	36"	—	57	\$984
FSEEPWS.306636	1.25"	30"	66"	36"	—	64	\$1,085
FSEEPWS.307236	1.25"	30"	72"	36"	—	71	\$1,109
FSEEPWS.307836	1.25"	30"	78"	36"	—	79	\$1,299
FSEEPWS.308436	1.25"	30"	84"	36"	—	86	\$1,325

36" D LEFT 30" D RIGHT

PART #	HEIGHT	A	B	C	D	WT. (LBS)	PRICE
FSEEPWS.366030	1.25"	36"	60"	30"	—	57	\$984
FSEEPWS.366630	1.25"	36"	66"	30"	—	64	\$1,085
FSEEPWS.367230	1.25"	36"	72"	30"	—	71	\$1,109
FSEEPWS.367830	1.25"	36"	78"	30"	—	79	\$1,299
FSEEPWS.368430	1.25"	36"	84"	30"	—	86	\$1,325

Rectangular Asymmetrical



Right Extended shown

DESCRIPTION

Worksurface hangs from a panel or Wall Strips. It has a laminate top and a PVC edge. There is a 7/8" gap at the back of the worksurface for plug and cord passage. 60" to 84" worksurfaces have center support.

NOTES

- Includes cantilever brackets and attachment hardware.
- 78"W and 84"W worksurfaces will accept a 42"W or 36"W lateral file.
- 72"W worksurface will accept a 36"W lateral file.
- 66"W worksurface will accept a 30"W lateral file.
- Worksurfaces shorter than 48"W will not accept a pedestal.
- Mending plates are included with rectangular worksurfaces only.
- Order mending plates separately if placing this worksurface next to another non-rectangular worksurface..

SPECIFICATION OPTIONS

product #: see charts below
edge finish: see page 9
support finish: LG Light Gray, MT Medium Tone, DT Dark Tone
worksurface finish: see page 9

ORDER EXAMPLE

product #: FSRWWS.243030
edge finish: LG
support finish: DT
worksurface finish: M2

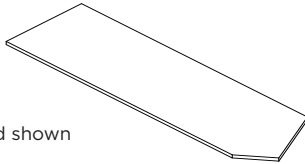
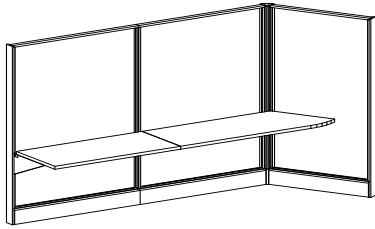
24" D LEFT 30" D RIGHT

PART #	HEIGHT	A	B	C	D	WT. (LBS)	PRICE
FSRWWS.243030	1.25"	24"	30"	30"	—	40	\$423
FSRWWS.243630	1.25"	24"	36"	30"	—	46	\$483
FSRWWS.244230	1.25"	24"	42"	30"	—	53	\$494
FSRWWS.244830	1.25"	24"	48"	30"	—	60	\$590
FSRWWS.245430	1.25"	24"	54"	30"	—	66	\$603
FSRWWS.246030	1.25"	24"	60"	30"	—	74	\$713
FSRWWS.246630	1.25"	24"	66"	30"	—	81	\$728
FSRWWS.247230	1.25"	24"	72"	30"	—	88	\$805
FSRWWS.247830	1.25"	24"	78"	30"	—	95	\$956
FSRWWS.248430	1.25"	24"	84"	30"	—	102	\$962

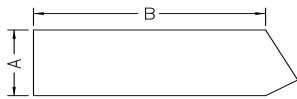
30" D LEFT 24" D RIGHT

PART #	HEIGHT	A	B	C	D	WT. (LBS)	PRICE
FSRWWS.303024	1.25"	30"	30"	24"	—	40	\$423
FSRWWS.303624	1.25"	30"	36"	24"	—	46	\$483
FSRWWS.304224	1.25"	30"	42"	24"	—	53	\$494
FSRWWS.304824	1.25"	30"	48"	24"	—	60	\$590
FSRWWS.305424	1.25"	30"	54"	24"	—	66	\$603
FSRWWS.306024	1.25"	30"	60"	24"	—	74	\$713
FSRWWS.306624	1.25"	30"	66"	24"	—	81	\$728
FSRWWS.307224	1.25"	30"	72"	24"	—	88	\$805
FSRWWS.307824	1.25"	30"	78"	24"	—	95	\$956
FSRWWS.308424	1.25"	30"	84"	24"	—	102	\$962

120° Rectangular



Right End shown



DESCRIPTION

Worksurface hangs from a panel and has a 120° End, either left or right. The end fits against a panel connected by a 120° Connector. It has a PVC edge. There is a 7/8" gap at the back of the worksurface for plug and cord passage.

NOTES

- Specify L for left end angle, and R for right end angle.
- Includes cantilever brackets, and attachment hardware.
- Mending plates are included with rectangular worksurfaces only.
- Order mending plates separately if placing this worksurface next to another non-rectangular worksurface.

SPECIFICATION OPTIONS

product #: see charts below
edge finish: see page 9
support finish: LG Light Gray, MT Medium Tone, DT Dark Tone
worksurface finish: see page 9
left or right extended: L for Left, R for Right

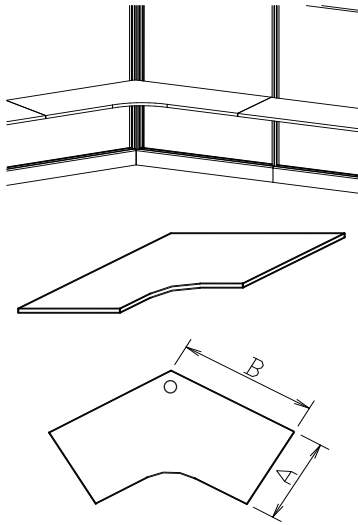
ORDER EXAMPLE

product #: FS120WS.2424L
edge finish: LG
support finish: DT
worksurface finish: M11
left or right extended: L

120° RECTANGULAR

PART #	HEIGHT	A	B	C	D	WT. (LBS)	PRICE
FS120WS.2424L	1.25"	24"	24"	—	—	33	\$532
FS120WS.2424R	1.25"	24"	24"	—	—	33	\$532
FS120WS.2430L	1.25"	24"	30"	—	—	40	\$571
FS120WS.2430R	1.25"	24"	30"	—	—	40	\$571
FS120WS.2436L	1.25"	24"	36"	—	—	45	\$615
FS120WS.2436R	1.25"	24"	36"	—	—	45	\$615
FS120WS.2442L	1.25"	24"	42"	—	—	52	\$687
FS120WS.2442R	1.25"	24"	42"	—	—	52	\$687
FS120WS.2448L	1.25"	24"	48"	—	—	57	\$703
FS120WS.2448R	1.25"	24"	48"	—	—	57	\$703
FS120WS.2460L	1.25"	24"	60"	—	—	64	\$818
FS120WS.2460R	1.25"	24"	60"	—	—	64	\$818

120° Corner / 90° Ends



DESCRIPTION

Worksurface hangs from a panels. It has a laminate top and a PVC edge. There is a 7/8" gap at the back of the worksurface for plug and cord passage. Worksurface is 24" deep.

NOTES

- Includes cantilever brackets, corner bracket and attachment hardware.
- Mending plates are included with rectangular worksurfaces only.
- Order mending plates separately if placing this worksurface next to another non-rectangular worksurface.

SPECIFICATION OPTIONS

product #: see charts below

edge finish: see page 9

support finish: LG Light Gray, MT Medium Tone, DT Dark Tone

worksurface finish: see page 9

ORDER EXAMPLE

product #: FS12090WS.2424

edge finish: LG

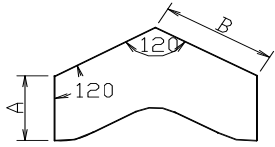
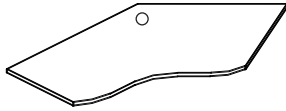
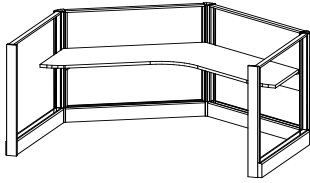
support finish: DT

worksurface finish: M11

120° CORNER 90° ENDS

PART #	HEIGHT	A	B	C	D	WT. (LBS)	PRICE
FS12090WS.2424	1.25"	24"	24"	—	—	30	\$671
FS12090WS.2430	1.25"	24"	30"	—	—	41	\$756
FS12090WS.2436	1.25"	24"	36"	—	—	50	\$925
FS12090WS.2442	1.25"	24"	42"	—	—	62	\$1,108
FS12090WS.2448	1.25"	24"	48"	—	—	80	\$1,345

120° Corner / 120° Ends



DESCRIPTION

Worksurface hangs from panels. It has a PVC edge. There is a 7/8" gap at the back of the worksurface for plug and cord passage. Worksurface is 24" deep.

NOTES

- Includes cantilever brackets, corner bracket, and attachment hardware.
- Mending plates are included with rectangular worksurfaces only.
- Order mending plates separately if placing this worksurface next to another non-rectangular worksurface.

SPECIFICATION OPTIONS

product #: see charts below
edge finish: see page 9
support finish: LG Light Gray, MT Medium Tone, DT Dark Tone

worksurface finish: see page 9

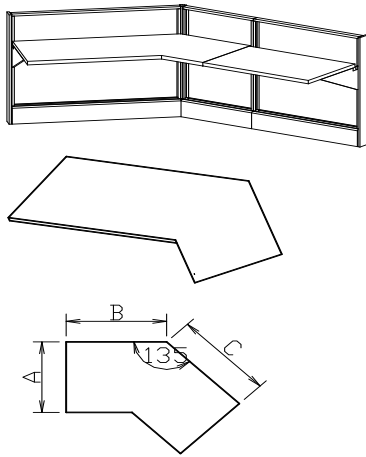
ORDER EXAMPLE

product #: FS120120WS.2436
edge finish: LG
support finish: DT
worksurface finish: M2

120° CORNER 120° ENDS

PART #	HEIGHT	A	B	C	D	WT. (LBS)	PRICE
FS120120WS.2436	1.25"	24"	36"	—	—	50	\$936
FS120120WS.2442	1.25"	24"	42"	—	—	62	\$1,119
FS120120WS.2448	1.25"	24"	48"	—	—	80	\$1,360

135° Corner



DESCRIPTION

Worksurface hangs from two panels, connected by a 135° 2-Way Connector. It has a laminate top and a PVC edge. There is a 7/8" gap at the back of the worksurface for plug and cord passage.

NOTES

- The width of each side of the worksurface must match the width of the adjacent panels.
- Includes cantilever brackets, corner bracket, and attachment hardware.
- Mending plates are included with rectangular worksurfaces only.
- Order mending plates separately if placing this worksurface next to another non-rectangular worksurface.

SPECIFICATION OPTIONS

product #: see charts below
edge finish: see page 9
support finish: LG Light Gray, MT Medium Tone, DT Dark Tone
worksurface finish: see page 9

ORDER EXAMPLE

product #: FS135CWS24.2424
edge finish: LG
support finish: DT
worksurface finish: M2

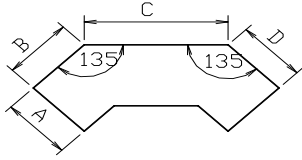
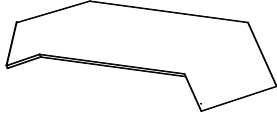
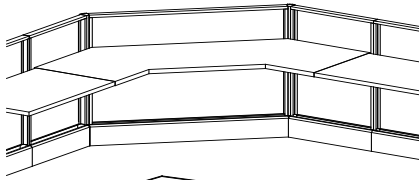
24" D

PART #	HEIGHT	A	B	C	D	WT. (LBS)	PRICE
FS135CWS24.2424	1.25"	24"	24"	24"	—	50	\$1,042
FS135CWS24.3030	1.25"	24"	30"	30"	—	54	\$1,434
FS135CWS24.4824	1.25"	24"	48"	24"	—	70	\$1,231
FS135CWS24.2448	1.25"	24"	24"	48"	—	70	\$1,169

30" D

PART #	HEIGHT	A	B	C	D	WT. (LBS)	PRICE
FS135CWS30.2424	1.25"	30"	24"	24"	—	55	\$1,085
FS135CWS30.3030	1.25"	30"	30"	30"	—	59	\$1,280
FS135CWS30.4824	1.25"	30"	48"	24"	—	74	\$1,458
FS135CWS30.2448	1.25"	30"	24"	48"	—	74	\$1,468

135° Double Corner



DESCRIPTION

Worksurface hangs from three panels connected by two 135° 2-Way Connectors. It has a PVC edge. There is a 7/8" gap at the back of the worksurface for plug and cord passage.

NOTES

- The width of each side of the worksurface must match the width of the adjacent panels.
- Includes cantilever brackets, corner bracket, and attachment hardware.
- Mending plates are included with rectangular worksurfaces only.
- Order mending plates separately if placing this worksurface next to another non-rectangular worksurface.

SPECIFICATION OPTIONS

product #: see charts below
edge finish: see page 9
support finish: LG Light Gray, MT Medium Tone, DT Dark Tone
worksurface finish: see page 9

ORDER EXAMPLE

product #: FS235DCWS24.244824
edge finish: LG
support finish: DT
worksurface finish: M2

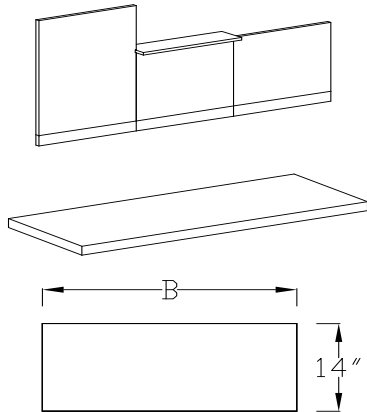
24" D

PART #	HEIGHT	A	B	C	D	WT. (LBS)	PRICE
FS135DCWS24.244824	1.25"	24"	24"	48"	24"	80	\$2,008

30" D

PART #	HEIGHT	A	B	C	D	WT. (LBS)	PRICE
FS135DCWS30.244824	1.25"	30"	24"	48"	24"	84	\$2,014

Square Edge Rectangular Transaction Surface



DESCRIPTION

14" D Rectangular Transaction Worksurface attaches to the top of a panel. Ends are flush with the panel. It has a PVC edge.

NOTES

- Attaches to the top of a panel for counter or display area.
- Includes attachment hardware
- On a 32"H panel, the transaction brackets will interfere with a panel-mounted worksurface at standard height.
- Order without cutout, with cutout on one side, or with cutout on two sides
- Cutout is for use on the lower panel at a change of height, see application guide on page 24

SPECIFICATION OPTIONS

product #: see charts below
edge finish: see page 9
worksurface finish: see page 9
cantilever finish: LG Light Gray, MT Medium Tone, DT Dark Tone

ORDER EXAMPLE

product #: FSERTS.1424L
edge finish: LG
worksurface finish: M2
cantilever finish: LG

WITHOUT CUTOUT

PART #	HEIGHT	A	B	C	D	WT.(lbs)	PRICE
FSERTS.1424L	1.25"	14"	24"	—	—	17	\$218
FSERTS.1430L	1.25"	14"	30"	—	—	21	\$253
FSERTS.1436L	1.25"	14"	36"	—	—	24	\$273
FSERTS.1442L	1.25"	14"	42"	—	—	27	\$326
FSERTS.1448L	1.25"	14"	48"	—	—	31	\$332
FSERTS.1460L	1.25"	14"	60"	—	—	38	\$384
FSERTS.1472L	1.25"	14"	72"	—	—	43	\$438

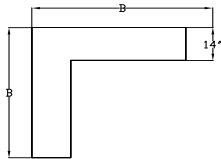
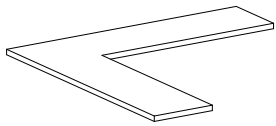
WITH CUTOUT ONE SIDE

PART #	HEIGHT	A	B	C	D	WT.(lbs)	PRICE
FSERTS.1424LC	1.25"	14"	24"	—	—	17	\$218
FSERTS.1430LC	1.25"	14"	30"	—	—	21	\$253
FSERTS.1436LC	1.25"	14"	36"	—	—	24	\$273
FSERTS.1442LC	1.25"	14"	42"	—	—	27	\$326
FSERTS.1448LC	1.25"	14"	48"	—	—	31	\$332
FSERTS.1460LC	1.25"	14"	60"	—	—	38	\$384
FSERTS.1472LC	1.25"	14"	72"	—	—	43	\$438

WITH CUTOUT TWO SIDES

PART #	HEIGHT	A	B	C	D	WT.(lbs)	PRICE
FSERTS.1424LC2	1.25"	14"	24"	—	—	17	\$218
FSERTS.1430LC2	1.25"	14"	30"	—	—	21	\$253
FSERTS.1436LC2	1.25"	14"	36"	—	—	24	\$273
FSERTS.1442LC2	1.25"	14"	42"	—	—	27	\$326
FSERTS.1448LC2	1.25"	14"	48"	—	—	31	\$332
FSERTS.1460LC2	1.25"	14"	60"	—	—	38	\$384
FSERTS.1472LC2	1.25"	14"	72"	—	—	43	\$438

Square Edge Corner Transaction Surface



DESCRIPTION

14" D Corner Transaction Worksurface attaches to the top of two panels. Ends are flush with the panel. It has a PVC edge.

NOTES

- Attaches to the top of two panels sized 24", 30" 36" 42" or 48". Ends are flush with the panel. Panels connected at a 90° angle for corner counter or display area.
- Includes attachment hardware.
- On a 32"H panel, the transaction brackets will interfere with a panel-mounted worksurface at standard height.

SPECIFICATION OPTIONS

product #: see charts below
edge finish: see page 9
worksurface finish: see page 9
cantilever finish: LG Light Gray, MT Medium Tone, DT Dark Tone

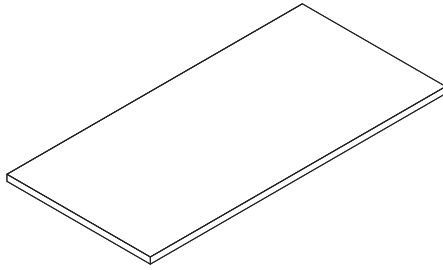
ORDER EXAMPLE

product #: FSECTS.24
edge finish: LG
worksurface finish: M2
cantilever finish: LG

CORNER TRANSACTION

PART #	HEIGHT	A	B	C	D	WT. (lbs)	PRICE
FSECTS.24	1.25"	14"	32"	—	—	40	\$419
FSECTS.30	1.25"	14"	38"	—	—	48	\$557
FSECTS.36	1.25"	14"	44"	—	—	55	\$615
FSECTS.42	1.25"	14"	50"	—	—	62	\$866
FSECTS.48	1.25"	14"	56"	—	—	71	\$871

Rectangular Worksurfaces For Use w/ My-Hite Bases



DESCRIPTION

Worksurface top only, for use with height adjustable base within workstation application

NOTES

- Add circular grommet (add \$75 list) Specify GL, GC, GR (For position description, see page 6)
- Order base separately from MY-HITE pricebook

Note: Top size reduced 1" in depth and 2" in width to fit within system workstation and prevent pinch points. See system pricebook for details. We do not recommend using full size worktop in paneled workstation application.

SPECIFICATION OPTIONS

product #: see charts below
edge finish: see page 9
worksurface finish: see page 9

ORDER EXAMPLE

product #: FSQAHT-3054
edge finish: DT Dark Tone
worksurface finish: M1 Light Maple

SQUARE EDGE RECTANGULAR WORKSURFACE

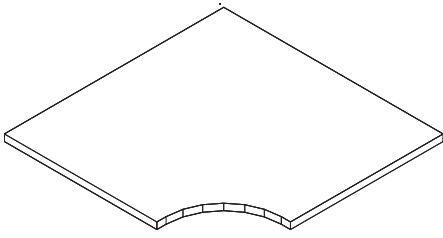
PRICE BOOK

PART #	HEIGHT	WIDTH	DEPTH	WT. (LBS)	PRICE
FSRWS.2340	-	40"	23"	-	\$380
FSRWS.2346	-	46"	23"	-	\$392
FSRWS.2352	-	52"	23"	-	\$463
FSRWS.2358	-	58"	23"	-	\$474
FSRWS.2364	-	64"	23"	-	\$545
FSRWS.2370	-	70"	23"	-	\$561
FSRWS.2376	-	76"	23"	-	\$684
FSRWS.2382	-	82"	23"	-	\$691
FSRWS.2940	-	40"	29"	-	\$449
FSRWS.2946	-	46"	29"	-	\$463
FSRWS.2952	-	52"	29"	-	\$547
FSRWS.2958	-	58"	29"	-	\$561
FSRWS.2964	-	64"	29"	-	\$650
FSRWS.2970	-	70"	29"	-	\$664
FSRWS.2976	-	76"	29"	-	\$818
FSRWS.2982	-	82"	29"	-	\$824
FSRWS.3540	-	35"	40"	-	\$473
FSRWS.3546	-	35"	46"	-	\$480
FSRWS.3552	-	35"	52"	-	\$843
FSRWS.3558	-	35"	58"	-	\$852
FSRWS.3564	-	35"	64"	-	\$862
FSRWS.3570	-	35"	70"	-	\$871
FSRWS.3576	-	35"	76"	-	\$879
FSRWS.3582	-	35"	82"	-	\$1,005

NOTES

Sizes are actual for example FTRWS.2370 is 23" x 70"

Corner Worksurfaces For Use w/ My-Hite Bases



DESCRIPTION

Corner worksurface top only, for use with height adjustable base within workstation application.

NOTES

- Add circular grommet (add \$75 list) Specify GL, GR
- Order base separately from MY-HITE pricebook

Note: Top size reduced 1" in depth and 2" in with to fit within system workstation and prevent pinch points. See system pricebook for details. We do not recommend using full size worktop in paneled workstation application.

SPECIFICATION OPTIONS

product #: see charts below
edge finish: see page 9
worksurface finish: see page 9

ORDER EXAMPLE

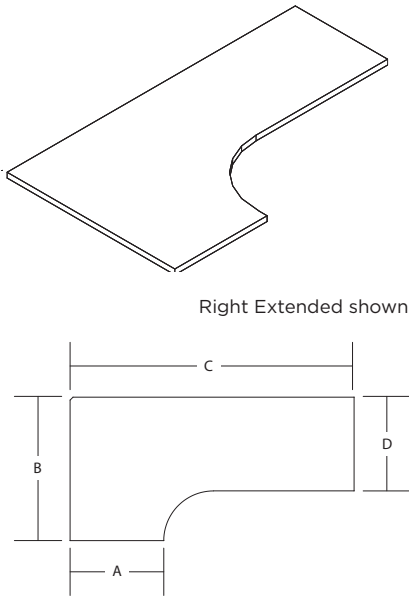
product #: FSCWS.2340
edge finish: DT Dark Tone
worksurface finish: M1 Light Maple
grommet: GL

SQUARE EDGE CORNER WORKSURFACE

PRICE BOOK

PART #	HEIGHT	WIDTH	DEPTH	WT. (LBS)	PRICE	NOTES
FSCWS.2340	-	40"	23"	-	\$626	Sizes are actual for example FSCWS.2940 is 40" x 29"
FSCWS.2346	-	46"	23"	-	\$662	
FSCWS.2940	-	40"	29"	-	\$681	
FSCWS.2946	-	46"	29"	-	\$715	

90° Extended Curved Corner Worksurface For Use w/ My-Hite Bases



DESCRIPTION

Laminate worksurface with 3mm PVC edge

NOTES

- Worksurface top only, for use with height adjustable base within workstation application
- See My-Hite pricebook for use inside a freestanding application
 - Add circular grommet (add \$75 list) Specify grommet placement GL, GC, GR
 - Top size reduced 1" in depth and 2" in width to fit within system workstation and prevent pinch points.
 - We do not recommend using full size worktop in paneled workstation applications

SPECIFICATION OPTIONS

product #: see charts below
top, edge, worksurface finish: see page 9
left or right extended: L for Left, R for Right

ORDER EXAMPLE

product #: FSECCWS.23345823L
edge finish: E10 Espresso
worksurface finish: M11 Light Walnut

**23" D CONNECTING SIDE
 23" D EXTENSION
 34" D**

PART #	HEIGHT	A	B	C	D	PRICE
FSECCWS.23345823L	1.25"	23"	34"	58"	23"	\$718
FSECCWS.23345823R	1.25"	23"	34"	58"	23"	\$718
FSECCWS.23346423L	1.25"	23"	34"	64"	23"	\$800
FSECCWS.23346423R	1.25"	23"	34"	64"	23"	\$800
FSECCWS.23347023L	1.25"	23"	34"	70"	23"	\$813
FSECCWS.23347023R	1.25"	23"	34"	70"	23"	\$813
FSECCWS.23347623L	1.25"	23"	34"	76"	23"	\$974
FSECCWS.23347623R	1.25"	23"	34"	76"	23"	\$974
FSECCWS.23348223L	1.25"	23"	34"	82"	23"	\$1,081
FSECCWS.23348223R	1.25"	23"	34"	82"	23"	\$1,081

**29" D CONNECTING SIDE
 29" D EXTENSION
 34" D**

PART #	HEIGHT	A	B	C	D	PRICE
FSECCWS.29345829L	1.25"	29"	34"	58"	29"	\$786
FSECCWS.29345829R	1.25"	29"	34"	58"	29"	\$786
FSECCWS.29346429L	1.25"	29"	34"	64"	29"	\$868
FSECCWS.29346429R	1.25"	29"	34"	64"	29"	\$868
FSECCWS.29347029L	1.25"	29"	34"	70"	29"	\$879
FSECCWS.29347029R	1.25"	29"	34"	70"	29"	\$879
FSECCWS.29347629L	1.25"	29"	34"	76"	29"	\$1,042
FSECCWS.29347629R	1.25"	29"	34"	76"	29"	\$1,042
FSECCWS.29348229L	1.25"	29"	34"	82"	29"	\$1,145
FSECCWS.29348229R	1.25"	29"	34"	82"	29"	\$1,145

**23" D CONNECTING SIDE
23" D EXTENSION
40" D**

PART #	HEIGHT	A	B	C	D	PRICE
FSECCWS.23405823L	1.25"	23"	40"	58"	23"	\$865
FSECCWS.23405823R	1.25"	23"	40"	58"	23"	\$865
FSECCWS.23406423L	1.25"	23"	40"	64"	23"	\$972
FSECCWS.23406423R	1.25"	23"	40"	64"	23"	\$972
FSECCWS.23407023L	1.25"	23"	40"	70"	23"	\$987
FSECCWS.23407023R	1.25"	23"	40"	70"	23"	\$987
FSECCWS.23407623L	1.25"	23"	40"	76"	23"	\$1,196
FSECCWS.23407623R	1.25"	23"	40"	76"	23"	\$1,196
FSECCWS.23408223L	1.25"	23"	40"	82"	23"	\$1,335
FSECCWS.23408223R	1.25"	23"	40"	82"	23"	\$1,335

**29" D CONNECTING SIDE
29" D EXTENSION
40" D**

PART #	HEIGHT	A	B	C	D	PRICE
FSECCWS.29405829L	1.25"	29"	40"	58"	29"	\$931
FSECCWS.29405829R	1.25"	29"	40"	58"	29"	\$931
FSECCWS.29406429L	1.25"	29"	40"	64"	29"	\$1,038
FSECCWS.29406429R	1.25"	29"	40"	64"	29"	\$1,038
FSECCWS.29407029L	1.25"	29"	40"	70"	29"	\$1,054
FSECCWS.29407029R	1.25"	29"	40"	70"	29"	\$1,054
FSECCWS.29407629L	1.25"	29"	40"	76"	29"	\$1,264
FSECCWS.29407629R	1.25"	29"	40"	76"	29"	\$1,264
FSECCWS.29408229L	1.25"	29"	40"	82"	29"	\$1,401
FSECCWS.29408229R	1.25"	29"	40"	82"	29"	\$1,401

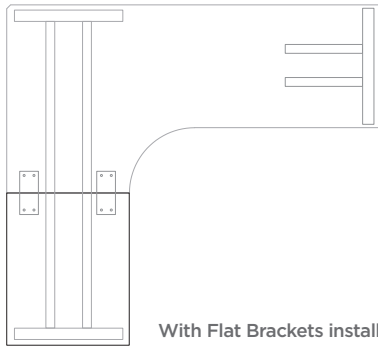
23" D CONNECTING SIDE
23" D EXTENSION
46" D

PART #	HEIGHT	A	B	C	D	PRICE
FSECCWS.23465823L	1.25"	23"	46"	58"	23"	\$877
FSECCWS.23465823R	1.25"	23"	46"	58"	23"	\$877
FSECCWS.23466423L	1.25"	23"	46"	64"	23"	\$987
FSECCWS.23466423R	1.25"	23"	46"	64"	23"	\$987
FSECCWS.23467023L	1.25"	23"	46"	70"	23"	\$1,009
FSECCWS.23467023R	1.25"	23"	46"	70"	23"	\$1,009
FSECCWS.23467623L	1.25"	23"	46"	76"	23"	\$1,229
FSECCWS.23467623R	1.25"	23"	46"	76"	23"	\$1,229
FSECCWS.23468223L	1.25"	23"	46"	82"	23"	\$1,378
FSECCWS.23468223R	1.25"	23"	46"	82"	23"	\$1,378

29" D CONNECTING SIDE
29" D EXTENSION
46" D

PART #	HEIGHT	A	B	C	D	PRICE
FSECCWS.29465829L	1.25"	29"	46"	58"	29"	\$945
FSECCWS.29465829R	1.25"	29"	46"	58"	29"	\$945
FSECCWS.29466429L	1.25"	29"	46"	64"	29"	\$1,054
FSECCWS.29466429R	1.25"	29"	46"	64"	29"	\$1,054
FSECCWS.29467029L	1.25"	29"	46"	70"	29"	\$1,077
FSECCWS.29467029R	1.25"	29"	46"	70"	29"	\$1,077
FSECCWS.29467629L	1.25"	29"	46"	76"	29"	\$1,296
FSECCWS.29467629R	1.25"	29"	46"	76"	29"	\$1,296
FSECCWS.29468229L	1.25"	29"	46"	82"	29"	\$1,439
FSECCWS.29468229R	1.25"	29"	46"	82"	29"	\$1,439

Rectangular Extension



DESCRIPTION

Laminate worksurface, for use with extended curved corner worksurfaces, not for use alone.

NOTES

- For use in combination with Extended Corner Worksurfaces and Corner My-Hite Bases only
- Not for use alone, nor with straight bases
- Maximum width combined: 72x96" or 84x84"

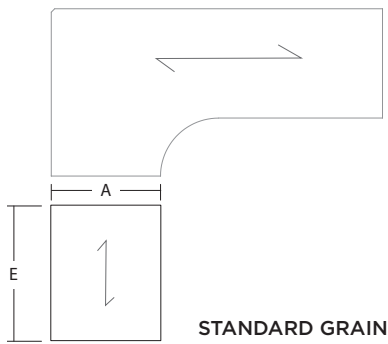
SPECIFICATION OPTIONS

product #: See charts below
worksurface finish: See page 9

ORDER EXAMPLE

product #: FSRWS.2324**worksurface:** Light Maple, M1

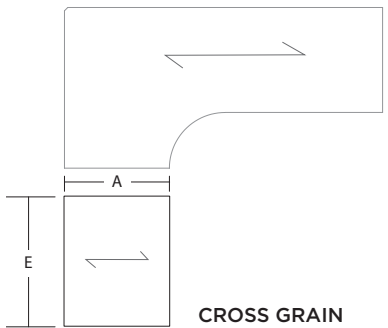
RECTANGULAR WORKSURFACE



PART #	DEPTH "A"	WIDTH "E"	LIST
FSRWS.2324	23"	24"	\$299
FSRWS.2330	23"	30"	\$342
FSRWS.2336	23"	36"	\$353
FSRWS.2924	29"	24"	\$396
FSRWS.2930	29"	30"	\$451
FSRWS.2936	29"	36"	\$464

NOTES

- Standard default grain direction is left to right (See left)

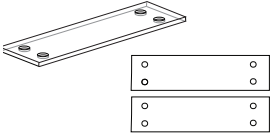


PART #	DEPTH "A"	WIDTH "E"	LIST
FSRWS.2324-CG	23"	24"	\$357
FSRWS.2330-CG	23"	30"	\$409
FSRWS.2336-CG	23"	36"	\$423
FSRWS.2924-CG	29"	24"	\$475
FSRWS.2930-CG	29"	30"	\$542
FSRWS.2936-CG	29"	36"	\$557

NOTES

- Cross grain direction is front to back (See left)

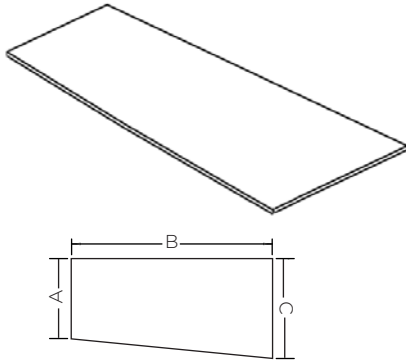
FLAT BRACKET



PART #	WIDTH	DEPTH	PRICE	NOTES
FVFB.08	8"	2"	\$38	

- Used to unite two worksurfaces supported by one base
- Black finish
- Sold in pairs

Wedge Worksurface For Use w/ My-Hite Bases



DESCRIPTION

Worksurface top only, for use with height adjustable base within workstation application

NOTES

- Add grommet (add \$75 list)
Specify GL, GC, GR
- Order base separately from MY-HITE pricebook

Note: Top size reduced 1" in depth and 2" in width to fit within system workstation and prevent pinch points. We do not recommend using full size worktop in paneled workstation application.

SPECIFICATION OPTIONS

product #: see charts below
edge finish: see page 9
worksurface finish: see page 9

ORDER EXAMPLE

PRODUCT #: FSWDWS.234029
edge finish: DT Dark Tone, E12
worksurface finish: Espresso, M10
grommet: GC (Rear Center)

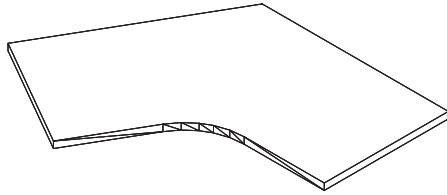
**23"D LEFT
29"D RIGHT**

PART #	HEIGHT	A	B	C	D	PRICE
FSWDWS.234029	1.25"	23"	40"	29"	—	\$444
FSWDWS.234629	1.25"	23"	46"	29"	—	\$452
FSWDWS.235229	1.25"	23"	52"	29"	—	\$514
FSWDWS.235829	1.25"	23"	58"	29"	—	\$550
FSWDWS.236429	1.25"	23"	64"	29"	—	\$614
FSWDWS.237029	1.25"	23"	70"	29"	—	\$628
FSWDWS.237629	1.25"	23"	76"	29"	—	\$729

**29"D LEFT
23"D RIGHT**

PART #	HEIGHT	A	B	C	D	PRICE
FSWDWS.294023	1.25"	29"	40"	23"	—	\$444
FSWDWS.294623	1.25"	29"	46"	23"	—	\$452
FSWDWS.295223	1.25"	29"	52"	23"	—	\$514
FSWDWS.295823	1.25"	29"	58"	23"	—	\$550
FSWDWS.296423	1.25"	29"	64"	23"	—	\$614
FSWDWS.297023	1.25"	29"	70"	23"	—	\$628
FSWDWS.297623	1.25"	29"	76"	23"	—	\$729

120° Corner / 90° Ends Worksurface For Use w/ My-Hite Bases



DESCRIPTION

Worksurface top only, for use with height adjustable base within workstation application

NOTES

- Add grommet (add \$75 list)
Specify 120GL, 120GC, 120GR
- Order base separately from MY-HITE pricebook

Note: Top size reduced 1" in depth and 2" in width to fit within system workstation and prevent pinch points. We do not recommend using full size worktop in paneled workstation application.

SPECIFICATION OPTIONS

product #: see charts below
edge finish: see page 9
worksurface finish: see page 9

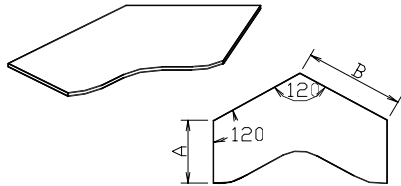
ORDER EXAMPLE

PRODUCT #:FD120-90WS.2436
edge finish: DT Dark Tone, E12
worksurface finish: Espresso, M10
grommet: 120GC (Rear Center)

120° CORNER 90° ENDS

PART #	HEIGHT	A	B	C	D	PRICE
FS120-90WS.2334	1.25"	23"	34"	—	—	\$820
FS120-90WS.2340	1.25"	23"	40"	—	—	\$1,010
FS120-90WS.2346	1.25"	23"	46"	—	—	\$1,259

120° Corner / 120° Ends Worksurface For Use w/ My-Hite Bases



DESCRIPTION

Worksurface top only, for use with height adjustable base within workstation application

NOTES

- Add grommet (add \$75 list)
Specify 120GL, 120GC, 120GR
- Order base separately from MY-HITE pricebook

Note: Top size reduced 1" in depth and 2" in width to fit within system workstation and prevent pinch points. We do not recommend using full size worktop in paneled workstation application.

SPECIFICATION OPTIONS

product #: see charts below
edge finish: see page 9
worksurface finish: see page 9

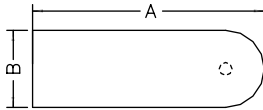
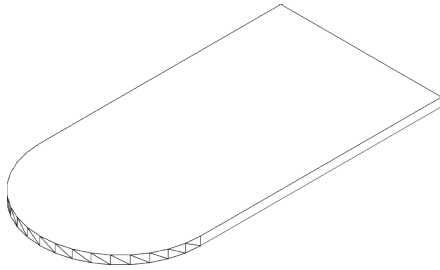
ORDER EXAMPLE

PRODUCT #:FD120-120WS.2436
edge finish: DT Dark Tone, E12
worksurface finish: Espresso, M10
grommet: 120GC (Rear Center)

120° CORNER 120° ENDS

PART #	HEIGHT	A	B	C	D	PRICE
FS120-120WS.2334	1.25"	23"	34"	—	—	\$820
FS120-120WS.2340	1.25"	23"	40"	—	—	\$1,010
FS120-120WS.2346	1.25"	23"	46"	—	—	\$1,259

D-Shaped Worksurface For Use w/ My-Hite Bases



DESCRIPTION

Worksurface top only, for use with height adjustable base within workstation application

NOTES

- Add grommet (add \$75 list)
Location is GC
- Order base separately from MY-HITE pricebook

Note: Top size reduced 1" in depth and 2" in width to fit within system workstation and prevent pinch points. We do not recommend using full size worktop in paneled workstation application.

SPECIFICATION OPTIONS

product #: see charts below
edge finish: see page 9
worksurface finish: see page 9

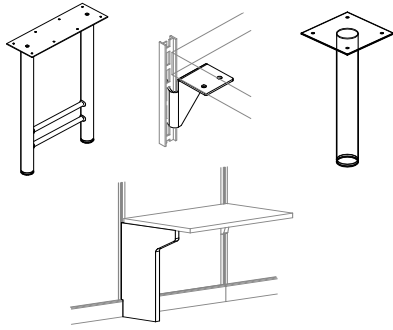
ORDER EXAMPLE

PRODUCT #: FSEDSP.2346
edge finish: DT Dark Tone, E12
worksurface finish: Espresso, M10
grommet: GC (Rear Center)

SQUARE EDGE D-SHAPED

PART #	HEIGHT	A	B	C	D	PRICE
FSEDSP.2346	1.25"	46"	23"	—	—	\$572
FSEDSP.2358	1.25"	58"	23"	—	—	\$638
FSEDSP.2946	1.25"	46"	29"	—	—	\$628
FSEDSP.2958	1.25"	58"	29"	—	—	\$697
FSEDSP.2970	1.25"	70"	29"	—	—	\$760
FSEDSP.3570	1.25"	70"	35"	—	—	\$839

Supports



DESCRIPTION

Provide support to the worksurface.

NOTES

- Nonhanded Thermally Fused laminate panel supports left or right side of worksurface.
- It has a 3mm PVC edge.
- Attaches to worksurface.
- Includes leveling glides and attachment hardware.

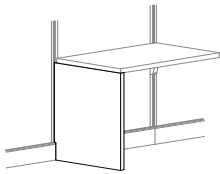
SPECIFICATION OPTIONS

product #: see charts below
finish: see page 9 and 10

ORDER EXAMPLE

product #: F2CL.3
finish: DT

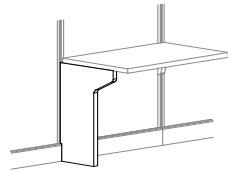
WORKSURFACE SUPPORT END PANEL



PART #	HEIGHT	WIDTH	DEPTH	WT. (LBS)	PRICE
FWSSEP.24-MEL	27.75"	1.25"	24"	26	\$525
FWSSEP.30-MEL	27.75"	1.25"	30"	32	\$572

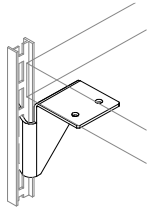
- Attaches to a worksurface and a frame or wall strip.
- Finishes: See page 10

WORKSURFACE SUPPORT P-LEG



PART #	HEIGHT	WIDTH	DEPTH	WT. (LBS)	PRICE
FWSSPL.24-MEL	27.75"	1.25"	24"	17	\$318
FWSSPL.30-MEL	27.75"	1.25"	30"	20	\$367

- Attaches to a worksurface and a frame or wall strip.
- Finishes: See page 10

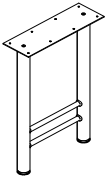
WORKSURFACE BRACKET

Right Handed shown

PART #	HEIGHT	WIDTH	DEPTH	WT. (LBS)	PRICE
FWSB.L	2.75"	—	2.5"	0.25	\$16
FWSB.R	2.75"	—	2.5"	0.25	\$16

NOTES

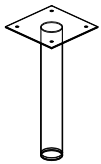
- Attaches to the front corner of a hanging worksurface to provide additional support when the return panel matches the worksurface depth.
- Also used as support for the back corner of a corner worksurface.
- Specify left or right.
- Color: Black

DUAL COLUMN LEG

PART #	HEIGHT	WIDTH	DEPTH	WT. (LBS)	PRICE
F2DCL	27.75"	18"	—	25	\$193

NOTES

- Attaches to the underside of a worksurface.
- Has adjustable glides.
- Finish: DT Dark Tone.

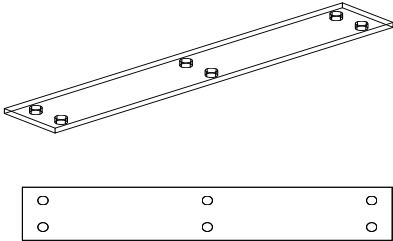
COLUMN LEG

PART #	HEIGHT	WIDTH	DEPTH	WT. (LBS)	PRICE
F2CL.3	27.75"	3" Dia	—	12	\$126
F2CL.4	27.75"	4" Dia	—	16	\$155

NOTES

- Attaches to the underside of a worksurface.
- Has an adjustable glide.
- Finish: DT Dark Tone.

Flat Bracket



DESCRIPTION

This Flat Bracket is used to support two worksurfaces when a support leg or panel leg is inappropriate.

NOTES

- Flat Bracket finish: Black Umber.

SPECIFICATION OPTIONS

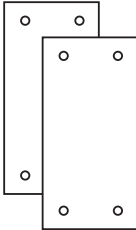
product #: see chart below

ORDER EXAMPLE

product #: F2FB.18

PART #	HEIGHT	A	B	C	D	WT. (LBS)	PRICE
F2FB.18	3"	18"	—	—	—	1	\$55

Mending Plates



DESCRIPTION

This Mending Plate is to be ordered if you're placing corner worksurface next to another corner worksurface without a rectangular worksurface return. Mending plate size is 1.5" x 2.5".

NOTES

- Sold in pairs

SPECIFICATION OPTIONS

product #: see charts below

ORDER EXAMPLE

product #: FASS22-O-ZN

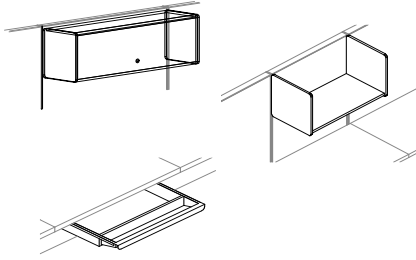
PART #	HEIGHT	A	B	C	D	WT. (LBS)	PRICE
FASS22-O-ZN	—	—	—	—	—	1	\$7

ANTI-SAG BARS



PART #	WIDTH	LIST	NOTES
FWASB.42	42"	\$120	• Anti-Sag bar, 42" wide with (8) screws. For use with 48 & 54" worktops
FWASB.54	54"	\$153	• Anti-Sag bar, 54" wide with (10) screws. For use with 60 & 66" worktops
FWASB.66	66"	\$185	• Anti-Sag bar, 66" wide with (12) screws. For use with 72 & 78" worktops

Components / Storage



DESCRIPTION

Storage and components for the workstation.

NOTES

- For "A" style components, call factory for availability.

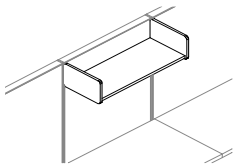
SPECIFICATION OPTIONS

product #: see charts below
finish: LG Light Gray, MT Medium Tone, DT Dark Tone
fabric (flipper door and unit only): see page 6

ORDER EXAMPLE

product #: FIHSH.1324
finish: LG
fabric: PF101-1 Slide - Caramel

"B" STYLE SHELF HALF HEIGHT

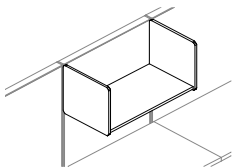


PART #	HEIGHT	WIDTH	DEPTH	WT. (LBS)	PRICE
F2HSH.1324	7.5"	24"	13.5"	12	\$223
F2HSH.1330	7.5"	30"	13.5"	13	\$238
F2HSH.1336	7.5"	36"	13.5"	13	\$256
F2HSH.1342	7.5"	42"	13.5"	14	\$275
F2HSH.1348	7.5"	48"	13.5"	15	\$289
F2HSH.1360	7.5"	60"	13.5"	18	\$327

NOTES

- Hangs from panel or wall strips.
- Includes attachment hardware.

"B" STYLE SHELF FULL HEIGHT



PART #	HEIGHT	WIDTH	DEPTH	WT. (LBS)	PRICE
F2FSH.1324	15.5"	24"	13.5"	16	\$267
F2FSH.1330	15.5"	30"	13.5"	17	\$278
F2FSH.1336	15.5"	36"	13.5"	17	\$290
F2FSH.1342	15.5"	42"	13.5"	18	\$309
F2FSH.1348	15.5"	48"	13.5"	19	\$312
F2FSH.1360	15.5"	60"	13.5"	22	\$343

NOTES

- Hangs from panel or wall strips.
- Includes attachment hardware.

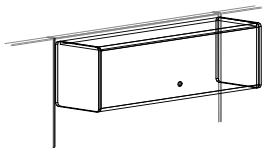
“B” STYLE LOCKING PAINTED FLIPPER DOOR



PART #	HEIGHT	WIDTH	DEPTH	WT. (LBS)	PRICE
F2PFLD.1324L	15.5"	24"	13.5"	11	\$345
F2PFLD.1330L	15.5"	30"	13.5"	14	\$381
F2PFLD.1336L	15.5"	36"	13.5"	16	\$410
F2PFLD.1342L	15.5"	42"	13.5"	18	\$438
F2PFLD.1348L	15.5"	48"	13.5"	20	\$459
F2PFLD.1360L	15.5"	60"	13.5"	25	\$569

- NOTES**
- Attaches to 15.5" high shelf to create a locking storage unit.
 - Includes a painted front, a lock and attaching hardware.
 - Lock Finish: Black
 - Order shelf separately.

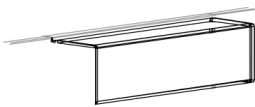
“B” STYLE LOCKING PAINTED FLIPPER UNIT



PART #	HEIGHT	WIDTH	DEPTH	WT. (LBS)	PRICE
F2PFLU.1324L	15.5"	24"	13.5"	27	\$541
F2PFLU.1330L	15.5"	30"	13.5"	31	\$579
F2PFLU.1336L	15.5"	36"	13.5"	33	\$645
F2PFLU.1342L	15.5"	42"	13.5"	36	\$673
F2PFLU.1348L	15.5"	48"	13.5"	39	\$719
F2PFLU.1360L	15.5"	60"	13.5"	47	\$878

- NOTES**
- Lockable storage unit, hangs from panel or wall strips.
 - Includes a painted front, a lock and attaching hardware.
 - Lock Finish: Black.

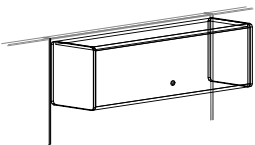
“B” STYLE LOCKING FABRIC FLIPPER DOOR



PART #	HEIGHT	WIDTH	DEPTH	WT. (LBS)	PRICE
F2FFLD.1324L	15.5"	24"	13.5"	11	\$598
F2FFLD.1330L	15.5"	30"	13.5"	14	\$630
F2FFLD.1336L	15.5"	36"	13.5"	16	\$666
F2FFLD.1342L	15.5"	42"	13.5"	18	\$705
F2FFLD.1348L	15.5"	48"	13.5"	20	\$740
F2FFLD.1360L	15.5"	60"	13.5"	25	\$878

- NOTES**
- Attaches to 15.5" high shelf to create a locking storage unit.
 - Includes fabric front, a lock and attaching hardware.
 - Lock Finish: Black
 - Order shelf separately.
 - Grp 5 fabric application for sizes 24"- 60" wide at no upcharge

“B” STYLE LOCKING FABRIC FLIPPER UNIT



PART #	HEIGHT	WIDTH	DEPTH	WT. (LBS)	PRICE
F2FFLU.1324L	15.5"	24"	13.5"	27	\$829
F2FFLU.1330L	15.5"	30"	13.5"	31	\$863
F2FFLU.1336L	15.5"	36"	13.5"	33	\$914
F2FFLU.1342L	15.5"	42"	13.5"	36	\$969
F2FFLU.1348L	15.5"	48"	13.5"	39	\$1,012
F2FFLU.1360L	15.5"	60"	13.5"	47	\$1,191

- NOTES**
- Lockable storage unit, hangs from panel or wall strips.
 - Includes fabric front, a lock and attaching hardware.
 - Lock Finish: Black.

Components / Storage (cont'd)

LED TASKLIGHT

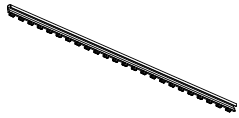


PART #	HEIGHT	WIDTH	DEPTH	WT. (LBS)	PRICE
FLED.20	0.75"	20"	1"	1	\$293
FLED.38	0.75"	38"	1"	2	\$370

NOTES

- Attaches beneath shelf or flipper unit.
- Includes an LED light, power cord motion sensor, and installation hardware. The cord for the tasklight is 6 ft. long.
- Has a pivot range of +/-15°.
- For overheads 24"-36" use FLED.20
- For overheads 42" or wider use FLED.38
- Finish: Silver

WIRE MANAGER

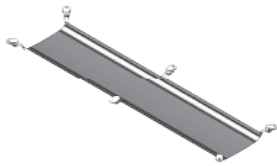


PART #	HEIGHT	WIDTH	DEPTH	WT. (LBS)	PRICE
F2WM.24	24"	.5"	—	1	\$28

NOTES

- This Wire Manager is used to manage electrical cords vertically. It fits between side-by-side panels, or between a panel and a connector.
- Finish: Black.

MESH WIRE MANAGER

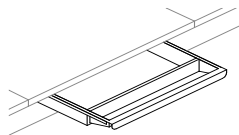


PART #	LENGTH	PRICE
FFWM.18	18"	\$159
FFWM.34	34"	\$159

NOTES

- Wire manager mounts to the bottom of a worksurface to manage cords
- Finish: Black with red zipper

PENCIL DRAWER

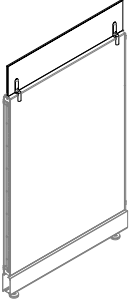


PART #	HEIGHT	WIDTH	DEPTH	WT. (LBS)	PRICE
FPD	1.875"	21.125"	16.25"	5	\$274

NOTES

- Stores small items.
- Attaches under worksurface.
- Includes attachment hardware.
- Finish: DT Dark Tone, MT Medium Tone.

Frameless Glass



NOTES

- Frameless Glass screens are attached to the top of a single frame with included hardware.
- Matches width of the frame.
- Package contains 2.

SPECIFICATION OPTIONS

product #: see charts below

ORDER EXAMPLE

product #: F2FG.0824-CL

FRAMELESS GLASS 8" CLEAR

PART #	HEIGHT	WIDTH	DEPTH	WT. (LBS)	PRICE	NOTES
F2FG.0824-CL	8"	23-1/4"	—	—	\$426	<ul style="list-style-type: none"> • Includes attachment hardware, brushed finish. • Package contains 2.
F2FG.0830-CL	8"	29-1/4"	—	—	\$461	
F2FG.0836-CL	8"	35-1/4"	—	—	\$492	
F2FG.0842-CL	8"	41-1/4"	—	—	\$527	
F2FG.0848-CL	8"	47-1/4"	—	—	\$561	
F2FG.0860-CL	8"	59-1/4"	—	—	\$598	

FRAMELESS GLASS 14" CLEAR

PART #	HEIGHT	WIDTH	DEPTH	WT. (LBS)	PRICE	NOTES
F2FG.1424-CL	14"	23-1/4"	—	—	\$527	<ul style="list-style-type: none"> • Includes attachment hardware, brushed finish. • Package contains 2.
F2FG.1430-CL	14"	29-1/4"	—	—	\$584	
F2FG.1436-CL	14"	35-1/4"	—	—	\$638	
F2FG.1442-CL	14"	41-1/4"	—	—	\$694	
F2FG.1448-CL	14"	47-1/4"	—	—	\$753	
F2FG.1460-CL	14"	59-1/4"	—	—	\$826	

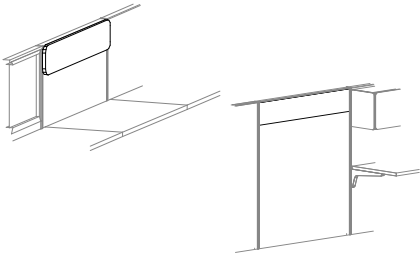
FRAMELESS GLASS 8" FROSTED

PART #	HEIGHT	WIDTH	DEPTH	WT. (LBS)	PRICE	NOTES
F2FG.0824-FR	8"	23-1/4"	—	—	\$489	<ul style="list-style-type: none"> • Includes attachment hardware, brushed finish. • Package contains 2.
F2FG.0830-FR	8"	29-1/4"	—	—	\$555	
F2FG.0836-FR	8"	35-1/4"	—	—	\$619	
F2FG.0842-FR	8"	41-1/4"	—	—	\$682	
F2FG.0848-FR	8"	47-1/4"	—	—	\$747	
F2FG.0860-FR	8"	59-1/4"	—	—	\$832	

FRAMELESS GLASS 14" FROSTED

PART #	HEIGHT	WIDTH	DEPTH	WT. (LBS)	PRICE	NOTES
F2FG.1424-FR	14"	23-1/4"	—	—	\$682	<ul style="list-style-type: none"> • Includes attachment hardware, brushed finish. • Package contains 2.
F2FG.1430-FR	14"	29-1/4"	—	—	\$791	
F2FG.1436-FR	14"	35-1/4"	—	—	\$898	
F2FG.1442-FR	14"	41-1/4"	—	—	\$1,003	
F2FG.1448-FR	14"	47-1/4"	—	—	\$1,118	
F2FG.1460-FR	14"	59-1/4"	—	—	\$1,266	

Tackboards



DESCRIPTION

Fabric covered tackable surface that attaches to panel or Wall Strips.

NOTES

- Includes attachment hardware.
- For "A" style components, call factory for availability.
- Order tackboard to match panel width
- Two tackboards cannot be installed on panels at 90 degree, 120 degree or 135 degree corners
- **Passage and Terrain fabric not approved for this application**

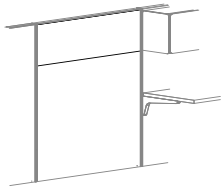
SPECIFICATION OPTIONS

product #: see charts below
fabric: see page 6 (**Passage and Terrain fabric not approved for this application**)

ORDER EXAMPLE

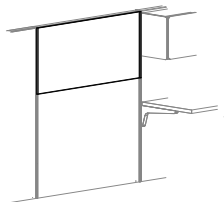
product #: FITAKBR.0924
fabric: PF301-1 Sky - Terra

"B" STYLE TACKBOARD SQUARE CORNERS CURVED TOP & BOTTOM 8.5" HIGH



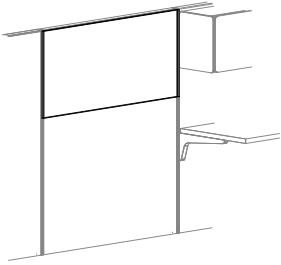
PART #	HEIGHT	WIDTH	DEPTH	WT. (LBS)	PRICE	GROUP 5 UPCHARGE
F2TAKBS.0924	8.5"	24"	—	3	\$112	\$13
F2TAKBS.0930	8.5"	30"	—	4	\$119	\$13
F2TAKBS.0936	8.5"	36"	—	4	\$134	\$15
F2TAKBS.0942	8.5"	42"	—	5	\$146	\$15
F2TAKBS.0948	8.5"	48"	—	6	\$153	\$18
F2TAKBS.0960	8.5"	60"	—	7	\$169	\$18

"B" STYLE TACKBOARD SQUARE CORNERS CURVED TOP & BOTTOM 15.5" HIGH



PART #	HEIGHT	WIDTH	DEPTH	WT. (LBS)	PRICE	GROUP 5 UPCHARGE
F2TAKBS.1624	15.5"	24"	—	6	\$207	\$22
F2TAKBS.1630	15.5"	30"	—	7	\$219	\$22
F2TAKBS.1636	15.5"	36"	—	9	\$230	\$24
F2TAKBS.1642	15.5"	42"	—	10	\$239	\$24
F2TAKBS.1648	15.5"	48"	—	11	\$255	\$26
F2TAKBS.1660	15.5"	60"	—	13	\$290	\$30

Markerboards



DESCRIPTION

Markerboard surface.

SPECIFICATION OPTIONS

product #: see charts below

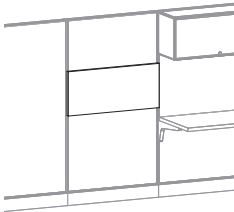
NOTES

- Includes attachment hardware.
- For "A" style components, call factory for availability.
- Order markerboard to match panel width
- Two markerboards cannot be installed on panels at 90 degree, 120 degree or 135 degree corners

ORDER EXAMPLE

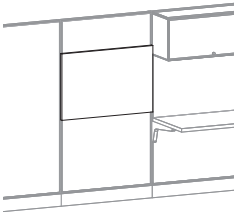
product #: F2MARBS.2424

"B" STYLE MARKERBOARD SQUARE CORNERS 16" HIGH



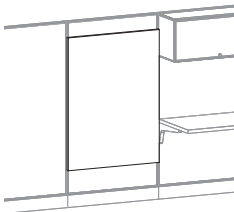
PART #	HEIGHT	WIDTH	DEPTH	WT. (LBS)	PRICE
F2MARBS.1624	16"	24"	—		\$443
F2MARBS.1630	16"	30"	—		\$487
F2MARBS.1636	16"	36"	—		\$508
F2MARBS.1642	16"	42"	—		\$534
F2MARBS.1648	16"	48"	—		\$555
F2MARBS.1660	16"	60"	—		\$636

"B" STYLE MARKERBOARD SQUARE CORNERS 24" HIGH



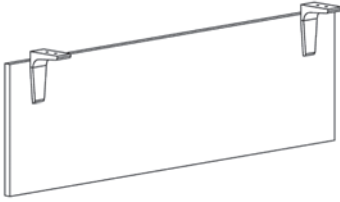
PART #	HEIGHT	WIDTH	DEPTH	WT. (LBS)	PRICE
F2MARBS.2424	24"	24"	—		\$466
F2MARBS.2430	24"	30"	—		\$510
F2MARBS.2436	24"	36"	—		\$531
F2MARBS.2442	24"	42"	—		\$557
F2MARBS.2448	24"	48"	—		\$578
F2MARBS.2460	24"	60"	—		\$659

"B" STYLE MARKERBOARD SQUARE CORNERS 48" HIGH



PART #	HEIGHT	WIDTH	DEPTH	WT. (LBS)	PRICE
F2MARBS.4824	48"	24"	—		\$578
F2MARBS.4830	48"	30"	—		\$649
F2MARBS.4836	48"	36"	—		\$731
F2MARBS.4842	48"	42"	—		\$822
F2MARBS.4848	48"	48"	—		\$932
F2MARBS.4860	48"	60"	—		\$1,053

Modesty Panel, Laminate



DESCRIPTION

Laminate modesty panel with matching 2mm PVC edge

NOTES

SPECIFICATION OPTIONS

product #: see charts below
Paint (Brackets) CW, BU, SV
Laminate (Modesty Panel) see page 9

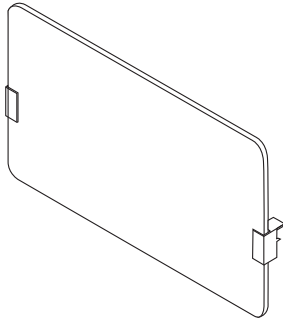
ORDER EXAMPLE

product #: FLMOD.0836
paint: CW, Cloud White
laminate: M12, Medium Walnut

Laminate Modesty Panel

PART #	HEIGHT	WIDTH	LIST	NOTES
FLMOD.0836	8"	36"	\$255	Modesty panel is actual width
FLMOD.0842	8"	42"	\$265	
FLMOD.0848	8"	48"	\$272	
FLMOD.0854	8"	54"	\$328	
FLMOD.0860	8"	60"	\$411	
FLMOD.0866	8"	66"	\$419	
FLMOD.0872	8"	72"	\$428	
FLMOD.0884	8"	84"	\$444	
FLMOD.0896	8"	96"	\$460	
FLMOD.1636	16"	36"	\$316	
FLMOD.1642	16"	42"	\$323	
FLMOD.1648	16"	48"	\$330	
FLMOD.1654	16"	54"	\$436	
FLMOD.1660	16"	60"	\$519	
FLMOD.1666	16"	66"	\$526	
FLMOD.1672	16"	72"	\$536	
FLMOD.1684	16"	84"	\$551	
FLMOD.1696	16"	96"	\$568	

Privacy Screen, Fabric



DESCRIPTION

Work Surface mounted fabric covered privacy screen

NOTES

Actual screen is shorter than the worktop.
 Example: FPSFLUSH.2448 for use on 46"/48" width table, actual width of screen is 40"

Fabric covered privacy screens have Black Reveal

Passage and Terrain fabric not approved for this application

SPECIFICATION OPTIONS

product #: see charts below
Paint (Brackets): CW, BU, SV
fabric: see page 6 (**Passage and Terrain fabric not approved for this application**)

ORDER EXAMPLE

product #: FPSFLUSH.2442
brackets: SV, Silver
fabric: PF-101-1, Slide, Caramel

Fabric Privacy Screen - Flush

PART #	HEIGHT	WIDTH	LIST
FPSFLUSH.2442	24"	34"	\$651
FPSFLUSH.2448	24"	40"	\$704
FPSFLUSH.2454	24"	46"	\$758
FPSFLUSH.2460	24"	52"	\$814
FPSFLUSH.2466	24"	58"	\$870
FPSFLUSH.2472	24"	64"	\$925

NOTES

- Privacy screen sits flush with the back of the worktop.
- Fabric covered privacy screens have Black Reveal
- Privacy screen is 8" shorter than free standing top width and 6" shorter than a worksurface from a paneled system.

Example:

Actual width of FPSFLUSH.2460 is 52"

Fabric Privacy Screen - with Wire Management Gap

PART #	HEIGHT	WIDTH	LIST
FPSGAP.2442	24"	34"	\$651
FPSGAP.2448	24"	40"	\$704
FPSGAP.2454	24"	46"	\$758
FPSGAP.2460	24"	52"	\$814
FPSGAP.2466	24"	58"	\$870
FPSGAP.2472	24"	64"	\$925

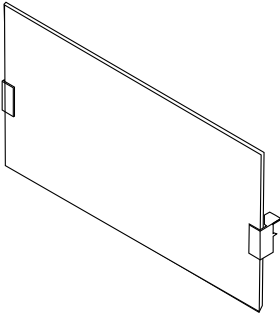
NOTES

- Fabric covered privacy screens have Black Reveal
- With 1" gap at back of worksurface for cord/wire management.

Example:

Actual width of FPSGAP.2460 is 52"

Privacy Screen, Marker Board



DESCRIPTION

Work Surface mounted marker board privacy screen

NOTES

To use a wire manager on your My-Hite table with a marker board privacy screen, you must order "with gap".

Marker board screen is writable on both sides

Actual screen is shorter than the worktop.

Example: FPSFLUSH.2448 for use on 46"/48" width table, actual width of screen is 40"

SPECIFICATION OPTIONS

product #: see charts below
Paint (Brackets): CW, BU, SV

ORDER EXAMPLE

product #: FPSFLUSH.2442
brackets: SV, Silver

Marker Board Privacy Screen - Flush

PART #	HEIGHT	WIDTH	LIST
FMPNFLUSH.2442	24"	34"	\$787
FMPNFLUSH.2448	24"	40"	\$901
FMPNFLUSH.2454	24"	46"	\$1,015
FMPNFLUSH.2460	24"	52"	\$1,131
FMPNFLUSH.2466	24"	58"	\$1,245
FMPNFLUSH.2472	24"	64"	\$1,360

NOTES

- Privacy screen sits flush with the back of the worktop.
- Privacy screen is 8" shorter than free standing top width and 6" shorter than a worksurface from a paneled system.

Example:

1. Actual width of FMPNFLUSH.2460 is 52"

Marker Board Privacy Screen - with Wire Management Gap

PART #	HEIGHT	WIDTH	LIST
FMPNGAP.2442	24"	34"	\$787
FMPNGAP.2448	24"	40"	\$901
FMPNGAP.2454	24"	46"	\$1,015
FMPNGAP.2460	24"	52"	\$1,131
FMPNGAP.2466	24"	58"	\$1,245
FMPNGAP.2472	24"	64"	\$1,360

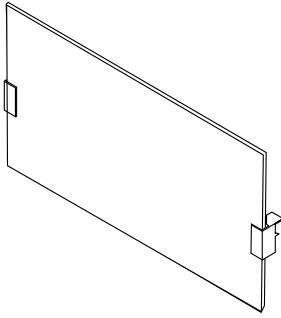
NOTES

- With 1" gap at back of worksurface for cord/wire management.

Example:

1. Actual width of FMPNGAP.2460 is 52"

Privacy Screen, Laminate



DESCRIPTION

Work Surface mounted laminate privacy screen

NOTES

To use a wire manager on your My-Hite table with a laminate privacy screen, you must order "with gap".

Actual screen is shorter than the worktop.

Example: FPSFLUSH.2448 for use on 46"/48" width table, actual width of screen is 40"

SPECIFICATION OPTIONS

product #: see charts below
Paint (Brackets): CW, BU, SV

finish: see page 9

ORDER EXAMPLE

product #: FPSFLUSH.2442
brackets: SV, Silver

Laminate Privacy Screen - Flush

PART #	HEIGHT	WIDTH	LIST
FLPSFLUSH.2442	24"	34"	\$423
FLPSFLUSH.2448	24"	40"	\$472
FLPSFLUSH.2454	24"	46"	\$519
FLPSFLUSH.2460	24"	52"	\$566
FLPSFLUSH.2466	24"	58"	\$614
FLPSFLUSH.2472	24"	64"	\$661

NOTES

- Privacy screen sits flush with the back of the worktop.
- Privacy screen is 8" shorter than free standing top width and 6" shorter than a worksurface from a paneled system.

Example:

1. Actual width of FLPSFLUSH.2460 is 52")

Laminate Privacy Screen - with Wire Management Gap

PART #	HEIGHT	WIDTH	LIST
FLPSGAP.2442	24"	34"	\$423
FLPSGAP.2448	24"	40"	\$472
FLPSGAP.2454	24"	46"	\$519
FLPSGAP.2460	24"	52"	\$566
FLPSGAP.2466	24"	58"	\$614
FLPSGAP.2472	24"	64"	\$661

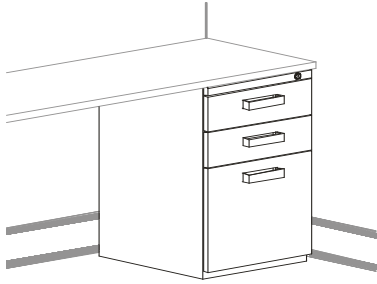
NOTES

- With 1" gap at back of worksurface for cord/wire management.

Example:

1. Actual width of FLPSGAP.2460 is 52"

Pedestals



DESCRIPTION

Storage with drawers.

NOTES

- Square drawer front.
- Includes pencil tray in top drawer.
- Order side-to-side file bars
- Specify pull when ordering
- Premium pulls have color options: Specify color when ordering. (See page 15)
- Bar Pull will be shipped in box on ALL orders, Premium Pulls will ship separately

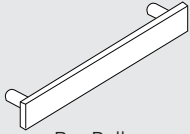
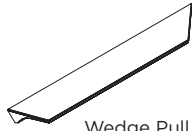
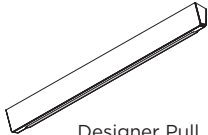
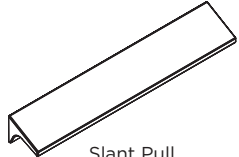
SPECIFICATION OPTIONS

product #: see charts below
finish: LG Light Gray, MT Medium Tone, DT Dark Tone
pull: see page 15

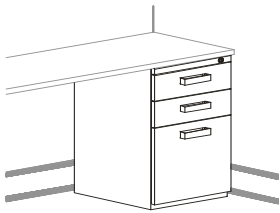
ORDER EXAMPLE

product #: FPEDSQP.BBF-MET
finish: LG
pull: Wedge, +75 (see upcharge below)

If a cushion is placed on a full height mobile pedestal, it will not fit under a worksurface.

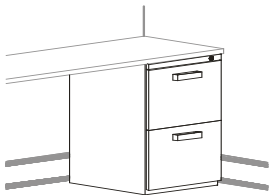
	DEFAULT PULL	PULLS REQUIRING UPCHARGE		
PEDESTAL PULL OPTIONS	 Bar Pull	 Wedge Pull • Brushed Aluminum • Black Umber	 Designer Pull • Cloud White/Red • Cloud White/Green • Cloud White/Grey	 Slant Pull • Brushed Aluminum • Black Umber

BOX / BOX / FILE PEDESTAL



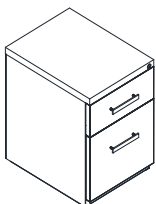
PART #	HEIGHT	WIDTH	DEPTH	WT. (LBS)	PRICE	NOTES
FPEDSQP.BBF-MET	27"	15"	20"	56	\$831	• Supporting metal pedestal with lock, without top cap. Attaches to the underside of a worksurface.
WEDGE, DESIGNER OR SLANT PULL					+ \$75	• Includes pencil tray in top drawer. • Order side to side file bars • Specify pull when ordering • Premium pulls have color options: Specify color when ordering. (see page 15)

FILE / FILE PEDESTAL



PART #	HEIGHT	WIDTH	DEPTH	WT. (LBS)	PRICE	NOTES
FPEDSQP.FF-MET	27"	15"	20"	53	\$831	• Supporting metal pedestal with lock, without top cap. Attaches to the underside of a worksurface.
WEDGE, DESIGNER OR SLANT PULL					+ \$50	• Includes pencil tray in top drawer. • Order side to side file bars • Specify pull when ordering • Premium pulls have color options: Specify color when ordering. (see page 15)

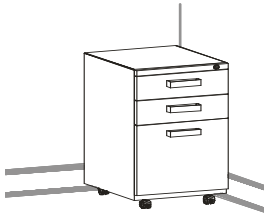
BOX / FILE PEDESTAL MOBILE



PART #	HEIGHT	WIDTH	DEPTH	WT. (LBS)	PRICE	NOTES
FPEDSQP.BF-MOB-MET	22"w	15"	20"	85	\$912	• Free-standing mobile pedestal with lock and with top cap.
WEDGE, DESIGNER OR SLANT PULL					+ \$50	• Includes pencil tray in top drawer. • Order side to side file bars • Specify pull when ordering • Premium pulls have color options: Specify color when ordering. (see page 15)

Pedestals continued

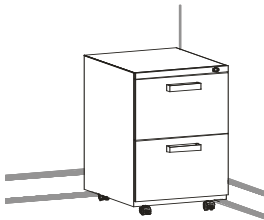
**BOX / BOX / FILE
PEDESTAL MOBILE**



PART #	HEIGHT	WIDTH	DEPTH	WT. (LBS)	PRICE	NOTES
FPEDSQP.BBF-MOB-MET	27.25"	15"	20"	85	\$1,082	<ul style="list-style-type: none"> Free-standing mobile pedestal with lock and with top cap. Includes pencil tray in top drawer. Order side to side file bars Specify pull when ordering Premium pulls have color options: Specify color when ordering. (see page 15) If a cushion is placed on a full height mobile pedestal, it will not fit under a worksurface.

WEDGE, DESIGNER OR SLANT PULL					+ \$75	
-------------------------------	--	--	--	--	--------	--

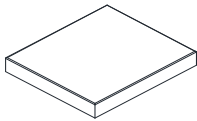
**FILE / FILE
PEDESTAL MOBILE**



PART #	HEIGHT	WIDTH	DEPTH	WT. (LBS)	PRICE	NOTES
FPEDSQP.FF-MOB-MET	27.25"	15"	20"	76	\$1,082	<ul style="list-style-type: none"> Free-standing mobile pedestal with lock and with top cap. Includes pencil tray in top drawer. Order side to side file bars Specify pull when ordering Premium pulls have color options: Specify color when ordering. (see page 15) If a cushion is placed on a full height mobile pedestal, it will not fit under a worksurface.

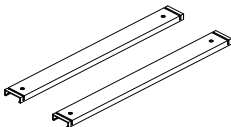
WEDGE, DESIGNER OR SLANT PULL					+ \$50	
-------------------------------	--	--	--	--	--------	--

**BOX / FILE PEDESTAL
MOBILE CUSHION**



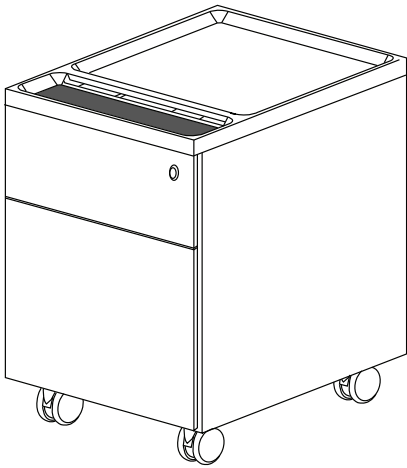
PART #	HEIGHT	WIDTH	DEPTH	WT. (LBS)	PRICE	NOTES
FPEDSQ.CUSH	1.75"	15"	20"	—	\$416	<ul style="list-style-type: none"> For Box/File mobile pedestal only. If a cushion is placed on a full height mobile pedestal, it will not fit under a worksurface. Passage and Terrain fabrics can not be used on mobile cushions. (See page 6)

**SIDE-TO-SIDE
FILE BARS**



PART #	HEIGHT	WIDTH	DEPTH	WT. (LBS)	PRICE	NOTES
FSSB	—	—	—	1	\$27	<ul style="list-style-type: none"> Side-to-side File Bars for filing letter or legal size folders. Order one per file drawer. Finish: Black.

Mobile Pedestals My-Hite



DESCRIPTION

Box/File mobile pedestal with lock and matching color top

SPECIFICATION OPTIONS

product #: FBFPED.MOB
finish: CW, BU, SV
foam color (if applicable): Charcoal, Café, Grey, and Red

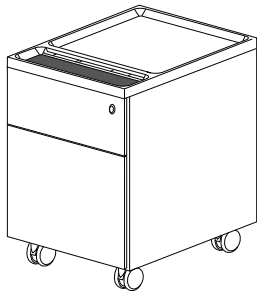
NOTES

- Optional Foam cushion available
- Optional different color top available
- Foam cushion is available in 6 colors
- Key-alike available
- Changeable colored top available

ORDER EXAMPLE

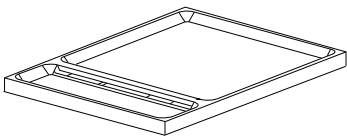
Pedestal:
product #: FBFPED.MOB
finish: SV Silver
Cushion:
product #: FBFPED.CUSH
finish: Charcoal

MOBILE PEDESTAL



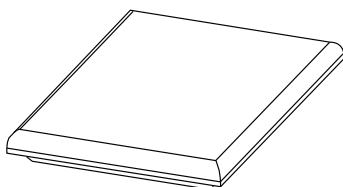
PART #	HEIGHT	WIDTH	DEPTH	WT. (LBS)	PRICE	NOTES
FBFPED.MOB	21.5"	15"	19 3/4"		\$761	<ul style="list-style-type: none"> • Finish options: SV Silver, CW Cloud White and BU Black Umber

COLOR PEDESTAL TOP



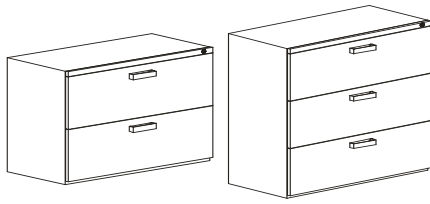
PART #	HEIGHT	WIDTH	DEPTH	PRICE	NOTES
FBFPED.PT				\$95	<ul style="list-style-type: none"> • For use with FBFPED.MOB pedestal only • Color options: Green, Blue, and Red • Please select color when ordering

FOAM CUSHION



PART #	HEIGHT	WIDTH	DEPTH	WT. (LBS)	PRICE	NOTES
FBFPED.CUSH					\$159	<ul style="list-style-type: none"> • For use with FBFPED.MOB pedestal only • Color options: Charcoal, Café, Grey, and Red • Please select color when ordering • Cushion is made of foam and not fabric covered

Lateral Files



DESCRIPTION

Storage with drawers.

NOTES

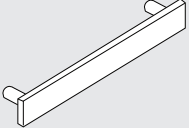
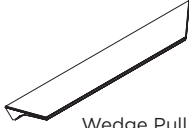
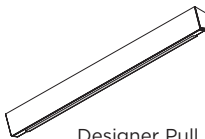
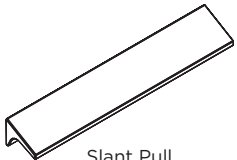
- Free-standing 3- and 4-Drawer lateral files must be bolted together or bolted to a wall.
- When loading files in Lateral File always load bottom drawer first.
- Specify pull when ordering
- Premium pulls have color options: Specify color when ordering. (See page 15)
- Bar Pull will be shipped in box on ALL orders, Premium Pulls will ship separately

SPECIFICATION OPTIONS

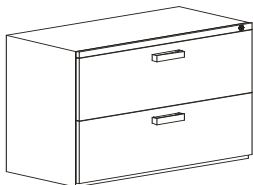
product #: see charts below
finish: LG Light Gray, MT Medium Tone, DT Dark Tone (metal, painted finish)
pull: (See page 15)

ORDER EXAMPLE

product #: FLFSQP-2-30-MET
finish: LG
pull: Wedge, +75 (see upcharge below)

	DEFAULT PULL	PULLS REQUIRING UPCHARGE		
LATERAL PULL OPTIONS	 Bar Pull	 Wedge Pull • Brushed Aluminum • Black Umber	 Designer Pull • Cloud White/Red • Cloud White/Green • Cloud White/Grey	 Slant Pull • Brushed Aluminum • Black Umber

2 DRAWER LATERAL FILES

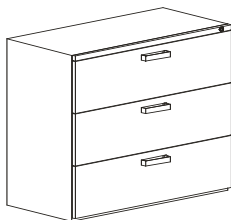


PART #	HEIGHT	WIDTH	DEPTH	WT. (LBS)	PRICE
FLFSQP-2-30-MET	27.5"	30"	20"	103	\$1,492
FLFSQP-2-36-MET	27.5"	36"	20"	123	\$1,810
FLFSQP-2-42-MET	27.5"	42"	20"	151	\$1,854

WEDGE, DESIGNER OR SLANT PULL + \$50

- ### NOTES
- Supporting lateral file with lock and finished top cap.
 - Order front to back file bars.
 - Order counterweight to convert to free-standing lateral file
 - Specify pull when ordering
 - Premium pulls have color options: Specify color when ordering. (see page 15)

FREE-STANDING 3-DRAWER LATERAL FILES WITH TOP CAP

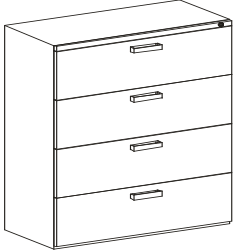


PART #	HEIGHT	WIDTH	DEPTH	WT. (LBS)	PRICE
FLFSQP-3-30-MET	40"	30"	20"	121	\$1,932
FLFSQP-3-36-MET	40"	36"	20"	151	\$2,181
FLFSQP-3-42-MET	40"	42"	20"	181	\$2,373

WEDGE, DESIGNER OR SLANT PULL + \$75

- ### NOTES
- Supporting lateral file with lock and finished top cap.
 - Order front to back file bars
 - Specify pull when ordering
 - Premium pulls have color options: Specify color when ordering. (see page 15)

Lateral Files continued

FREE-STANDING
4-DRAWER LATERAL
FILES WITH TOP CAP

PART #	HEIGHT	WIDTH	DEPTH	WT. (LBS)	PRICE
FLFSQP-4-30-MET	51.5"	30"	20"	173	\$2,446
FLFSQP-4-36-MET	51.5"	36"	20"	196	\$2,688
FLFSQP-4-42-MET	51.5"	42"	20"	241	\$2,939
WEDGE, DESIGNER OR SLANT PULL					+\$100

NOTES

- Supporting lateral file with lock and finished top cap.
- Order front to back file bars.
- Specify pull when ordering
- Premium pulls have color options: Specify color when ordering. (see page 15)

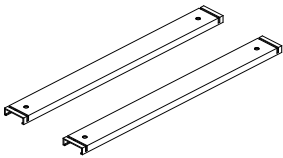
LATERAL FILE
COUNTERWEIGHT

PART #	USAGE	WT. (LBS)	PRICE
FLFCW-30	use with 30" W lateral file *	23	\$83
FLFCW-36	use with 36" W lateral file **	46	\$125
FLFCW-42	use with 42" W lateral file **	46	\$125

NOTES

- Attaches securely to the inside back of the lateral file.

* Includes one 20 lb counterweight
 ** Includes two 20 lb counterweights, for a total of 40 lbs of counterweight

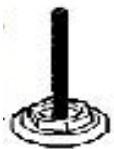
FRONT-TO-BACK
FILE BARS

PART #	HEIGHT	WIDTH	DEPTH	WT. (LBS)	PRICE
FFB	3/8"	1 3/16"	15 11/16"	1	\$32

NOTES

- Front to back file bars.
- Package of two.
- Order one package of two per drawer.
- Color: Black.

EXTENDED GLIDES

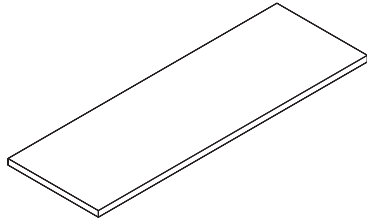


PART #	HEIGHT	WIDTH	DEPTH	PRICE
FLFEG4.2				\$64

NOTES

- Lateral file extended glide 2", pack of 4, for use with metal 2 drawer lateral files.
- Order (1) pack per lateral file.
- No finish selection

Lateral File Tops Laminate



DESCRIPTION

Laminate top for lateral file.

NOTES

- Lateral file tops are available in worksurface laminate or hardsurface laminate.
- For larger sizes, specify hardsurface laminate on page 122
- We do not recommend mixing the types as there may be a noticeable difference when placed adjacent.

SPECIFICATION OPTIONS

product #: see charts below

finish: see page 9

edge finish: see page 9

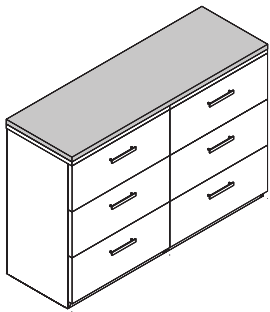
ORDER EXAMPLE

product #: FLFSQTOP.2030

finish: M1

edge finish: E1

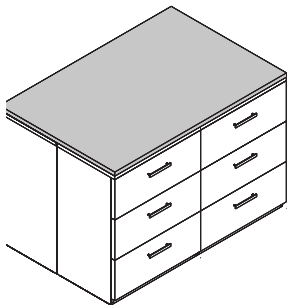
LATERAL FILE LAMINATE TOPS, 20" DEEP



PART #	HEIGHT	WIDTH	DEPTH	PRICE
FLFSQTOP.2030	1.19"	30"	20"	\$290
FLFSQTOP.2036	1.19"	36"	20"	\$339
FLFSQTOP.2042	1.19"	42"	20"	\$373
FLFSQTOP.2060	1.19"	60"	20"	\$624
FLFSQTOP.2066	1.19"	66"	20"	\$643
FLFSQTOP.2072	1.19"	72"	20"	\$663
FLFSQTOP.2078	1.19"	78"	20"	\$697
FLFSQTOP.2084	1.19"	84"	20"	\$729
FLFSQTOP.2090	1.19"	90"	20"	\$794

NOTES

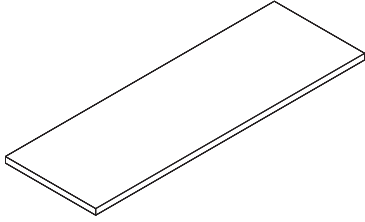
LATERAL FILE LAMINATE TOPS, 40" DEEP



PART #	HEIGHT	WIDTH	DEPTH	PRICE
FLFSQTOP.4030	1.19"	30"	40"	\$608
FLFSQTOP.4036	1.19"	36"	40"	\$697
FLFSQTOP.4042	1.19"	42"	40"	\$736
FLFSQTOP.4060	1.19"	60"	40"	\$890
FLFSQTOP.4066	1.19"	66"	40"	\$931
FLFSQTOP.4072	1.19"	72"	40"	\$971
FLFSQTOP.4078	1.19"	78"	40"	\$1,033
FLFSQTOP.4084	1.19"	84"	40"	\$1,092
FLFSQTOP.4090	1.19"	90"	40"	\$1,215

NOTES

Lateral File Tops Hardsurface Laminate



DESCRIPTION

Hardsurface Laminate top for lateral file.

NOTES

- Lateral file tops are available in worksurface laminate or hardsurface laminate.
- We do not recommend mixing the types as there may be a noticeable difference when placed adjacent.
- Please see Matrix on page 9 for details about matching color between hardsurface laminate and worksurface laminates. M1-M13 offer close matching finishes, while M14-M29 are color matched finishes.

SPECIFICATION OPTIONS

product #: see charts below

finish: see page 9

edge finish: see page 9

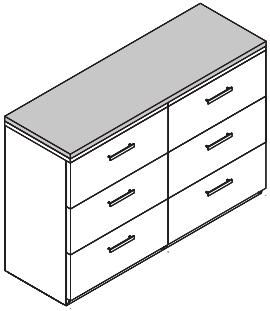
ORDER EXAMPLE

product #: FLFSQTOP.2030-LAM

finish: 7909-60 Fusion Maple

edge finish: E1

LATERAL FILE TOPS, HARDSURFACE LAMINATE 20" DEEP

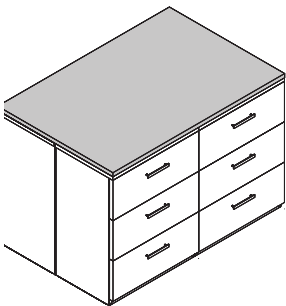


PART #	HEIGHT	WIDTH	DEPTH	PRICE
FLFSQTOP.2030-LAM	1.19"	30"	20"	\$660
FLFSQTOP.2036-LAM	1.19"	36"	20"	\$773
FLFSQTOP.2042-LAM	1.19"	42"	20"	\$871
FLFSQTOP.2060-LAM	1.19"	60"	20"	\$1,406
FLFSQTOP.2066-LAM	1.19"	66"	20"	\$1,447
FLFSQTOP.2072-LAM	1.19"	72"	20"	\$1,488
FLFSQTOP.2078-LAM	1.19"	78"	20"	\$1,630
FLFSQTOP.2084-LAM	1.19"	84"	20"	\$1,770
FLFSQTOP.2090-LAM	1.19"	90"	20"	\$2,037
FLFSQTOP.2096-LAM	1.19"	96"	20"	\$2,283
FLFSQTOP.20108-LAM	1.19"	108"	20"	\$2,318
FLFSQTOP.20120-LAM	1.19"	120"	20"	\$2,628
FLFSQTOP.20126-LAM	1.19"	126"	20"	\$2,738
FLFSQTOP.20144-LAM	1.19"	144"	20"	\$3,161
FLFSQTOP.20168-LAM	1.19"	168"	20"	\$3,863

NOTES

- Tops over 90" wide are two pieces

LATERAL FILE TOPS, HARDSURFACE LAMINATE 40" DEEP

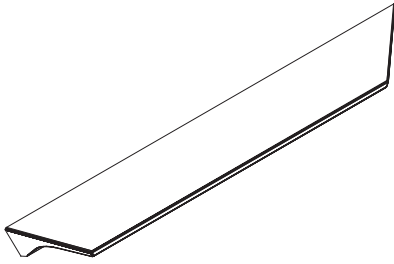


PART #	HEIGHT	WIDTH	DEPTH	PRICE
FLFSQTOP.4030-LAM	1.19"	30"	40"	\$1,363
FLFSQTOP.4036-LAM	1.19"	36"	40"	\$1,574
FLFSQTOP.4042-LAM	1.19"	42"	40"	\$1,784
FLFSQTOP.4060-LAM	1.19"	60"	40"	\$2,149
FLFSQTOP.4066-LAM	1.19"	66"	40"	\$2,240
FLFSQTOP.4072-LAM	1.19"	72"	40"	\$2,332
FLFSQTOP.4078-LAM	1.19"	78"	40"	\$2,564
FLFSQTOP.4084-LAM	1.19"	84"	40"	\$2,796
FLFSQTOP.4090-LAM	1.19"	90"	40"	\$3,020
FLFSQTOP.4096-LAM	1.19"	96"	40"	\$3,371
FLFSQTOP.40108-LAM	1.19"	96"	40"	\$3,511
FLFSQTOP.40120-LAM	1.19"	96"	40"	\$3,688
FLFSQTOP.40126-LAM	1.19"	96"	40"	\$3,863

NOTES

- Tops over 90" wide are two pieces

Pulls Lateral



DESCRIPTION

3 different pull options to choose from

NOTES

- Pulls have color options: specify color when ordering. (See chart below)

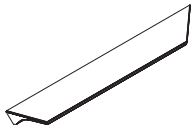
SPECIFICATION OPTIONS

product #: see charts below
pull: see charts below

ORDER EXAMPLE

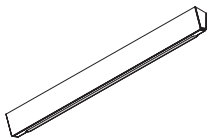
product #: WEDGE-PULL-244
pull: Wedge

WEDGE PULL FOR LATERAL



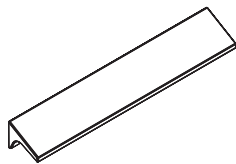
PART #	WT. (LBS)	LIST	NOTES
WEDGE-PULL-244	—	\$25	Wedge Pull for Lateral
WEDGE-PULL-244-BU	—	\$25	

DESIGNER PULL FOR LATERAL



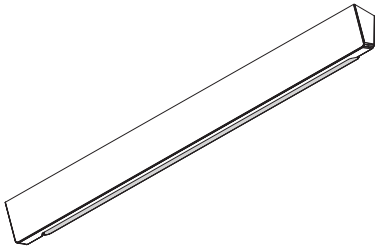
PART #	WT. (LBS)	LIST	NOTES
DESIGNER-PULL-250-RED	—	\$25	Designer Pull is CW (Cloud White) with non-slip color trim on underside. Trim available in 3 colors: Red, Green, and Grey
DESIGNER-PULL-250-GREEN	—	\$25	
DESIGNER-PULL-250-GREY	—	\$25	

SLANT PULL FOR LATERAL



PART #	WT. (LBS)	LIST	NOTES
SLANT-PULL-199	—	\$25	Slant Pull for Lateral
SLANT-PULL-199-BU	—	\$25	

Pulls Pedestal



DESCRIPTION

3 different pull options to choose from

NOTES

- Pulls have color options: specify color when ordering. (See chart below)

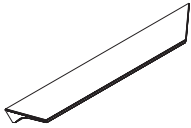
SPECIFICATION OPTIONS

product #: see charts below
pull: see charts below

ORDER EXAMPLE

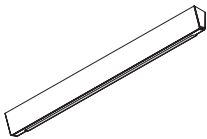
product #: DESIGNER-PULL-250-RED
pull: Designer Pull, RED

WEDGE PULL FOR PEDESTAL



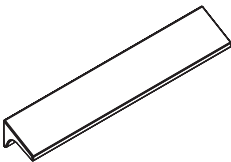
PART #	WT. (LBS)	LIST	NOTES
WEDGE-PULL-167	—	\$25	Wedge Pull for Pedestal
WEDGE-PULL-167-BU	—	\$25	

DESIGNER PULL FOR PEDESTAL



PART #	WT. (LBS)	LIST	NOTES
DESIGNER-PULL-250-RED	—	\$25	Designer Pull is CW (Cloud White) with non-slip color trim on underside. Trim available in 3 colors: Red, Green, and Grey
DESIGNER-PULL-250-GREEN	—	\$25	
DESIGNER-PULL-250-GREY	—	\$25	

SLANT PULL FOR PEDESTAL



PART #	WT. (LBS)	LIST	NOTES
SLANT-PULL-167	—	\$25	Slant Pull for Pedestal
SLANT-PULL-167-BU	—	\$25	

Accessories

DESCRIPTION

Workstation accessories.

SPECIFICATION OPTIONS

product #: see charts below
finish: LG Light Gray, MT Medium Tone, DT Dark Tone (metal, painted finish)

ORDER EXAMPLE

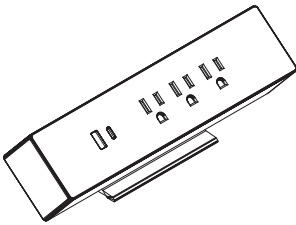
product #: FTB.24
finish: MT

DESK MOUNTED POWER UNIT - CLAMP



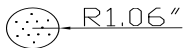
PART #	PRICE	NOTES
FPWR.DM	\$454	<ul style="list-style-type: none"> Power Unit clamps onto surface The power cord comes attached to the unit. The cord measures approximately 6 ft in length. Includes 3 plugs and 2 USB-A ports Distributes up to 10 amps Finish: available in BU and CW

DESK MOUNTED POWER UNIT - ADHESIVE



PART #	PRICE	NOTES
FPWR.DM-2	\$454	<ul style="list-style-type: none"> Power unit attaches to surface with adhesive The power cord comes attached to the unit. The cord measures approximately 6 ft in length. Includes 3 plugs, 1 USB-C and 1 USB-A port Distributes up to 10 amps Finish: available in BU and CW

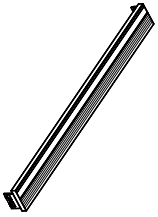
CARPET GRIPPER



PART #	HEIGHT	WIDTH	DEPTH	WT. (LBS)	PRICE	NOTES
F2CG	—	2.125"	—	0.25	\$8	Plastic Gripper fits onto the adjustable glides of panel. Finish: Black Do not use on hard surface flooring.

Accessories continued

TOOL BARS



PART #	HEIGHT	WIDTH	DEPTH	WT. (LBS)	PRICE
FTB.24	3.5"	24"	0.75"	2	\$97
FTB.30	3.5"	30"	0.75"	2	\$119
FTB.36	3.5"	36"	0.75"	3	\$140
FTB.42	3.5"	42"	0.75"	3	\$161
FTB.48	3.5"	48"	0.75"	4	\$180
FTB.60	3.5"	60"	0.75"	5	\$209

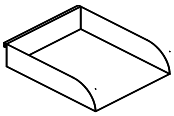
NOTES

Attaches to a panel of same width.

Mounting hardware included.

Two tool bars cannot be installed at the same height on panels at 90 degree, 120 degree or 135 degree corners

FLAT PAPER TRAY

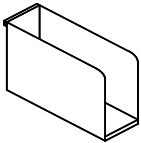


PART #	HEIGHT	WIDTH	DEPTH	WT. (LBS)	PRICE
FFPT	3"	10"	12"	2	\$53

NOTES

Order tool bar separately.

VERTICAL SINGLE TRAY



PART #	HEIGHT	WIDTH	DEPTH	WT. (LBS)	PRICE
FVST	8"	4"	12"	2	\$50

NOTES

Order tool bar separately.

VERTICAL TRIPLE TRAY



PART #	F2DRCHS.27 HEIGHT	WIDTH	DEPTH	WT. (LBS)	PRICE
FVTT	11"	12"	12"	4	\$99

NOTES

Order tool bar separately.

SINGLE MONITOR ARM



PART #	HEIGHT	WIDTH	DEPTH	WT. (LBS)	LIST	NOTES
FMA-S	—	—	—	—	\$688	CW, SV or BU Finish Includes attachment hardware for clamp, grommet and Verity track mount. Includes (2) USB ports, 6' cords

DUAL MONITOR ARM



PART #	HEIGHT	WIDTH	DEPTH	WT. (LBS)	LIST	NOTES
FMA-D	—	—	—	—	\$982	CW, SV or BU Finish Includes attachment hardware for clamp, grommet and Verity track mount. Includes (2) USB ports, 6' cords

Keyed-Alike Information

DESCRIPTION

All Friant Pedestals, Lateral Files, and Overhead Cabinets can be keyed-alike.

SPECIFICATION OPTIONS

product #: see charts below

NOTES

- Keyed-Alike Lock Cores are sold in sets of 4 or 6.
- Each set of keyed alike cores includes the cores, each core has two keys and all cores are the same lock number.
- Lock core removal/change keys will need to be ordered separately.
- Specific lock numbers are unavailable

ORDER EXAMPLE

product #: METAL1-KEY-ALIKE-6

KEYED-ALIKE LOCKS

PART #	DESCRIPTION	PRICE
METAL1-KEY-ALIKE-4	Lock Core Keyed-Alike (set of 4)-Type 1 Metal Storage	\$192
METAL1-KEY-ALIKE-6	Lock Core Keyed-Alike (set of 6)-Type 1 Metal Storage	\$289
METAL1-FCK	Lock Core Change Key - Type 1 Metal Storage	\$28
METAL1 -FMK	Lock Core Master Key - Type 1 Metal Storage	\$28
METAL1-KEYBLANK	Key Blank - Type 1 Metal Storage	\$4
METAL1-KEY-CORE	Single Lock Core - Type 1 Metal Storage	\$38 each