

MY-HITE

COLLECTION



TABLE OF CONTENTS

INTRODUCTION

Terms and Conditions	4
Standard Fabrics	7
Pattern Direction	8
Standard Finishes	9

MY-HITE

Grommet Locations	10-15
Power Grommet	16
How to specify 2 piece tops	17
Mobile Pedestals	18
Flyp Screens	19
Freestanding Application	20
Workstation Application	21
Beam Application	22

3 STAGE SPECIFIC

Base Application & Electrical Draw	23
Trough Cover Dimension	24
Recommended Top Application	25
Technical Specifications	26

2 STAGE SPECIFIC

Base Application & Electrical Draw	28
Recommended Top Application	29
Technical Specifications	30

BEAM

How to order Beam	74
Worksurface Planning Guide	76
Beam Elevation Height	77
Beam Creep	78
Data Port Plate	79

SPECIFY 3 STAGE BASE

Straight T-Leg	33
Straight C-Leg	34
Corner T-Leg	35
Corner C-Leg	36
Corner T-Leg Post	37
Corner C-Leg Post	38

SPECIFY 2 STAGE BASE

Straight T-Leg	40
Corner T-Leg	41

WORKSURFACES FOR FREESTANDING APPLICATION

Rectangular	43
Corner	44
90° Extended Curved Corner	45
Rectangular Extension	48
D-Shaped	50
Wedge	51
120° Corner / 90° Ends	52
120° Corner / 120° Ends	53

PRIVACY SCREENS

Modesty Panel, Laminate	54
Privacy Screen, Fabric	55
Privacy Screen, Marker Board	56
Privacy Screen, Laminate	57
Worksurface Mounted Screens, Clear	58
Worksurface Mounted Screens, Frosted	59
Worksurface Mounted Screens, Fabric	60
Flyp Screens	61

MOBILE PEDESTAL

Mobile Pedestal	62
Keyed Alike	63

MONITOR ARMS

Monitor Arms	64
--------------	----

TABLE POWER COMPONENTS

Power Grommet	65
Power Distribution	66

ACCESSORIES

Wire Manager	67
Mesh Wire Manager	67
Casters	67
Conversion Kit	67
Desk Mounted Power Unit	68

SHIELD FREESTANDING PANELS

Freestanding Laminate Panel, Feet	69
Freestanding Laminate Panel, Casters	70
Freestanding Markerboard Panel, Feet	71
Freestanding Markerboard Panel, Casters	72

SPECIFY BEAM

Beam Package with power & data cutouts	80
Beam Package without cutouts	81
Supporting Post - Inline & End of Run	82
Supporting Post - 2, 3, 4 Way	83
Laminate Insert Package	84
Gallery Panels	86
Base Cover, non-powered	88
Beam Package Top Caps	89
Electrical Distribution	90
Beam Mounted Screens	92

WORKSURFACES FOR USE WITH BEAM

Rectangular	94
Corner	95
90° Extended Curved Corner	96
Rectangular Extension	98
D-Shaped	99
Wedge	100
120° Corner / 90° Ends	101
120° Corner / 120° Ends	101

Terms and Conditions

PRICES

Pricing is delivered, freight included to 48 contiguous states. Specific requirements apply, minimum order required, see freight policy for details. See complete freight rules and policy on www.friant.com.

ORDERING

Purchase Orders should be sent to orders@friant.com or faxed to (510) 535-6895. If your specifications were created with CAP, GIZA or Project Matrix, please send the worksheet (.SP4, or .SIF) with your Purchase Order.

TERMS

Net 30 days from date of invoice. Invoices are delinquent if not paid 30 days from date of invoice. In the event timely payment is not made, interest will be charged at the rate of 1.5% per month on delinquent accounts. Buyers will also be liable for normal collection costs and attorney's fee. 50% deposit is required with every order, unless prior arrangements have been made.

ORDERS

Orders are only accepted by issuance of our formal acknowledgment, and are subject to the terms set forth herein and on our order acknowledgment. It is the responsibility of the buyer to review our acknowledgment for accuracy.

LEAD TIME

Lead times are subject to availability, see www.Friant.com for details.

SHIPPING

Friant generally palletizes, boxes and/or shrink-wraps its products. If buyer requests additional packaging or special shipping, then it is responsible for any extra costs that result. Buyer obtains title to products and assumes the risk of loss for them upon shipment from Friant's plant.

CLAIMS

We are not responsible for damage suffered in transit. Merchandise should be inspected for possible freight damage upon delivery. The consignee should file for damage or shortages with the carrier within 5 days of delivery. You are also protected for "concealed damage" if you file claim with the carrier within 5 days of delivery. Buyer must make all claims against Friant for defects, errors or shortages in writing within 10 days after delivery. Failure to make such a claim shall constitute full acceptance.

RETURNS

No merchandise may be returned without our written consent and shipping instructions. Unauthorized returns will not be accepted and will be returned freight collect.

PARTIAL SHIPMENTS

We will make every attempt to ship orders complete and on schedule. However, we reserve the right to make partial shipments, as merchandise is ready. Invoices covering these shipments are to be paid as they become due.

ORDER CHANGE/CANCELLATIONS

Our order confirmation is final and binding. Any order change or cancellation is subject to our ability to conform. For the most up to date information, always review the order change/cancellation policy online. Allowable changes within the posted policy must be made in writing.

SHIPMENT AND PREPAID FREIGHT

Unless otherwise instructed, we reserve the option to ship by what is, in our opinion, the best possible way. Upon request, we will prepay and add freight for accounts with established credit.

DELIVERY

We are not liable for delay or failure of delivery due to strikes and/or differences with workmen, war, riot, fire, compliance with government regulations, acts of nature, failure or delays of sources of supply, or any other causes beyond our control.

STORAGE

If buyer cannot accept delivery when merchandise is ready, we reserve the right to transfer goods to storage. Costs of transfer and storage will be charged to the buyer's account, and we will deem such transfer as constituting shipment for all purposes, including invoicing, as of the date the transfer is made.

Terms and Conditions

CONSTRUCTION — SPECIFICATIONS

All items are produced to price list specifications unless otherwise advised. All dimensions shown are approximate. Manufacturer reserves the right to make modifications and/or improvements without prior notice.

FABRIC APPLICATION

Standard fabric application is non-directional. Friant & Associates is not responsible for charges associated with replacement of products due to incorrect specifications. Certain product construction and sizes require fabric to be applied only Directionally or Non-Directionally. See individual pricebook specifications for details.

CUSTOMER'S OWN MATERIAL

Yardage requirement is based on 66" wide plain covering material, and must be increased if less than 66" wide. Special instructions for handling material (pattern, directional fabric, right side of reversible fabric, etc.) must be submitted in writing before fabric is delivered. In the absence of special instructions, we reserve the right to use our own judgment. We reserve the right to reject any covering, which in our opinion, is unsuitable for our upholstery purposes. However, in no instance shall we be held responsible for unsatisfactory results due to use of covering unsuitable for our upholstery methods.

We will not be responsible for errors caused by buyers not supplying us with sample cuttings attached to their order giving full identification of covering material, (name of supplier, covering name, number and color) for identification purposes and advising us of model number and quantity to which each cover is to be applied.

Customer's own material that is shipped freight collect will be refused. A service charge will be applied for the return of unusable C.O.M. Contact factory.

RIGHTS AND WARRANTIES — 5 YEARS

This warranty is given to the initial purchaser and is valid from the date of purchase, for as long as the initial purchaser owns the product. This warranty covers defects in material and craftsmanship found during normal usage of the product during the warranty period. Normal usage is defined by 8 hour shifts in the product's intended application and in an indoor environment that conforms to the ANSI/ASHRAE Standard 55: Thermal Environmental Conditions for Human Occupancy (relating to air temperature, mean radiant temperature, air velocity, clothing insulation, metabolic rate, and humidity). Friant's warranty does not cover usage other than normal usage as defined in the previous sentence. If the product is defective, and if written notice of the defect is given to Friant & Associates within the applicable warranty period, Friant & Associates, at its option, will either repair or replace the defective product with a comparable component or product. This warranty applies to all products except as noted below.

The following exceptions to the limited 5 year warranty apply: All Motors and electrical components are warranted for 5 years.

High wear parts, such as wood veneer, fabrics, laminates and other covering material/finishes, foam, glides, etc. are warranted for one (1) year. This warranty does not apply to damage caused by a carrier, alteration to the product not expressly authorized by Friant & Associates, nor to product considered to be of a consumable nature such as bulbs, light ballasts, etc. It also does not apply to "Customer's Own Material" (i.e. material specified by the customer that is not a standard Friant & Associates offering) used in the manufacture of Friant & Associates products.

Our warranty for LED lights is 2 years.

Friant & Associates does not warrant the matching of colors, grain or texture, except to within commercially acceptable standards. This includes normal variations between dye lots (fabrics).

A product will not be considered defective, and Friant & Associates will not be obligated to replace it, if it is not installed in a proper manner (i.e. product not leveled, not secured properly, etc.) or if it is not used in a manner and/or in an environment that constitutes normal usage, as defined above.

This warranty does not apply to items subjected to abuse, misuse, neglect, alteration, or damage caused by shipment, storage, accident, fire, food or an act of nature

Except as noted above, Friant & Associates makes no express or implied warranties to any product, and in particular makes no warranty of fitness for any particular use. At Friant & Associates' option, product repair and replacement is the customer's exclusive remedy for any and all product defects.

Please request written authorization before returning defective parts to Friant, returned defective parts will not be accepted without prior written authorization. Labor and service are not covered under this warranty.

Friant & Associates shall not be liable for consequential, economic, or incidental damages arising from any product defect.

Terms and Conditions

CALIFORNIA PROP 65 WARNING

Products in this catalog can expose you to chemicals including wood dust, which is known to the State of California to cause cancer or birth defects or other reproductive harm. For more information go to <https://www.p65warnings.ca.gov/products/furniture-products>.”

CARB

Friant products are CARB 93120 compliant for formaldehyde (phase 2)

TSCA TITLE VI

Friant products are TSCA Title VI Compliant

MAS

Accredited Compliance Designation - ANSI/BIFMA x7.1 & e3-2014 7.6.1, 7.6.2, 7.6.3

California Dept. Of Public Health Standard Method v1.2

Conforms With: LEED v4

Criteria of MAS Certified Green ® Program

Standard Fabrics

JOURNEY		TERRAIN		SLIDE		SILKY		SKY	
PF801-1	Quest	PF701-1	Cloud	PF101-1	Caramel	PF401-1	Natural	PF301-1	Terra
PF801-2	Voyage	PF701-2	Dusk	PF101-2	Slate	PF401-2	Parids	PF301-2	Birch
PF801-3	Transit	PF701-3	Wave	PF101-3	Pewter	PF401-3	Overcast	PF301-3	Moss
PF801-4	Amble	PF701-4	Earth	PF101-7	Java	PF401-5	Graphite		
PF801-5	Odyssey			PF101-9	Sterling				
PF801-6	Caravan			PF101-10	Crema				
PF801-7	Expedition			PF101-13	Mustard				
PF801-8	Wayfare			PF101-14	Avocado				
				PF101-15	Pumpkin				
				PF101-16	Ocean				
				PF101-17	Blueberry				
				PF101-18	Cardinal				
				PF101-19	Flamingo				
				PF101-20	Serenity				
				PF101-21	Azure				
				PF101-22	Orchid				
				PF101-23	Plum				
				PF101-24	Raven				

LIMITED AVAILABILITY

SLIDE		STICKS		PASSAGE	
PF101-4	Verde	PF501-3	Sage	PF601-5	Leaf
PF101-6	Vintage			PF601-8	Amber
PF101-8	Latte				

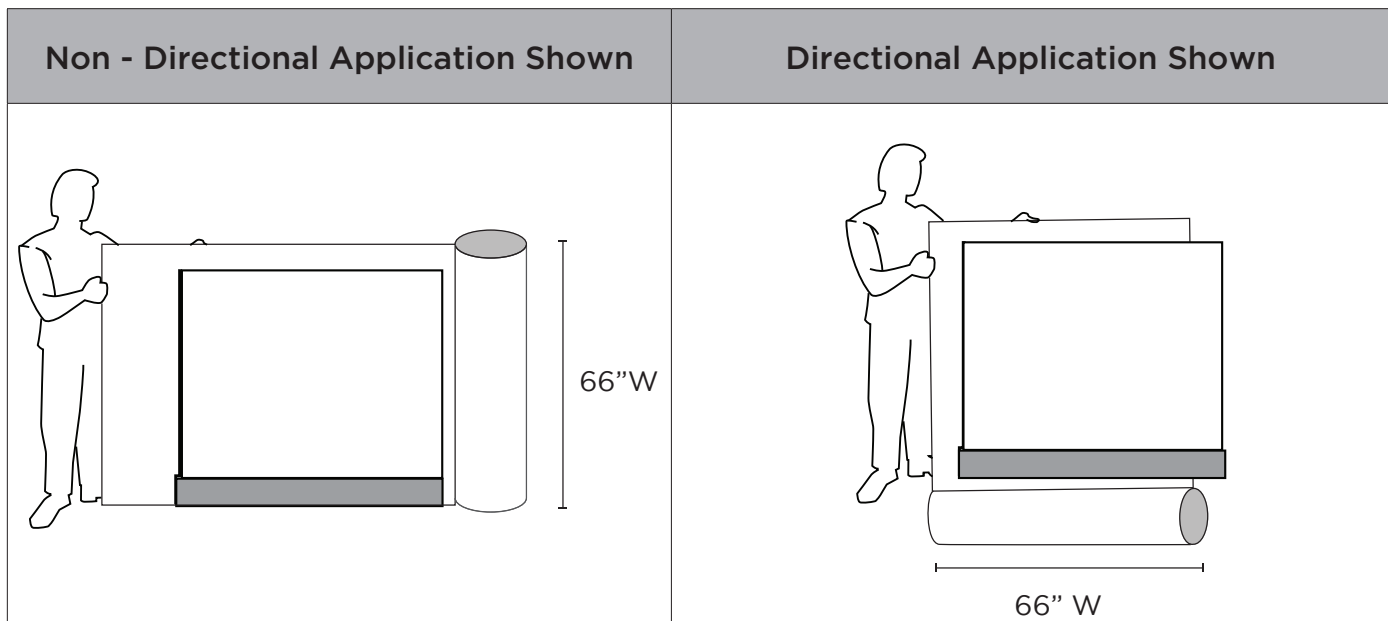
Fabric is scheduled for discontinuation when inventory is exhausted. Please contact Customer Success for current stock levels. After discontinuation fabric will be available with extended lead time, subject to minimum yardage requirements.

NOTES:

- Passage and Terrain are not available on acoustical panels, pedestal cushions, tackboards or fabric screens.
- Please refer to the Fabric Direction Section in the Materials Reference Guide on the Dealer Resource Center for more details: <http://dealers.friant.com/dealers/product-literature/>
- Order fabric / finish sample online at www.friant.com
- Colors may vary slightly between dye lots.

Pattern Direction

- Fabric direction is not always determined by the way the pattern is shown on memo sample.
- Certain product construction and sizes require fabric to be applied only Directionally or Non-Directionally.
- Some products have fabric applied either Directionally or Non-Directionally. (Upcharges may apply on some products, see price books for details).
- Please refer to our Materials Reference Guide on the Dealer Resource Center for specific pattern application defaults on all of our products : <http://dealers.friant.com/dealers/product-literature/>
- Our Customer Success Team is happy to answer any questions regarding fabric direction.



Standard Finishes

For matching edge PVC, please read across matrix.

Order samples at www.friant.com/samples

Please Note: Images are printed simulations and are not exact matches of finished product. Please request an actual sample from Friant or your sales consultant before specifying finishes.

WORKSURFACE LAMINATES		EDGE LAMINATES (3MM PVC)	
M1	Light Maple	E1	Light Maple
M2	Light Cherry	E2	Light Cherry
M3	Medium Cherry	E3	Medium Cherry
M4	Dark Mahogany	E4	Dark Mahogany
M6	Light Gray	E6	Light Gray
M9	Cloud White	E9	Cloud White
M10	Espresso	E10	Espresso
M11	Light Walnut	E14	Light Walnut
M12	Medium Walnut	E15	Medium Walnut
M13	Licorice	E13	Licorice
M14	Carob	E17	Carob
M16	Tundra	E19	Tundra
M18	Capitan	E21	Capitan
M19	Fog	E22	Fog
M20	Sandstone	E23	Sandstone
M23	Bark	E26	Bark
M25	Winter	E28	Winter
M26	Storm	E29	Storm
M27	Medium Ash	E30	Medium Ash
M28	Arctic	E31	Arctic
M29	Raven	E32	Raven
M30	Barley	E33	Barley
M31	Camel	E34	Camel

Note: For other worksurface finish, please contact our Customs team

***Complimentary Edge Finishes**

- E8 Black Umber
- E11 Medium Tone
- E12 Dark Tone

Complimentary edge finishes have no exact laminate match available

PAINT TRIM

- CW Cloud White
- BU Black Umber
- SV Silver

STANDARD GROMMET FINISHES

- CW Cloud White
- BU Black Umber
- SV Silver

POWER GROMMET FINISHES

- BA Brushed Aluminum
- BC Brushed Charcoal
- CW Cloud White

FOAM CUSHION

- Red
- Charcoal
- Café
- Grey

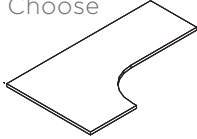
COLOR PEDESTAL TOP

- Green
- Blue
- Red

Grommet Locations, My-Hite Tops

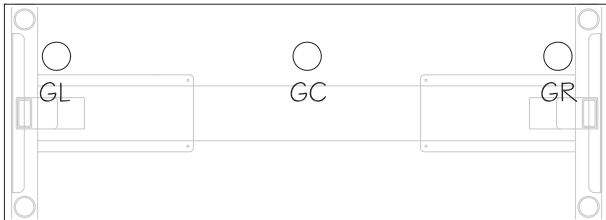
1 Select a My-Hite worksurface

My-Hite tops (see page 43) offer optional grommets. (Please use the codes shown when specifying location of grommets). An upcharge of \$75 applies per grommet.

Choose	Specify Part #	Specify worksurface and edge
	FCCAHS-24366024R	M16 Tundra E19 Tundra

2a Select a grommet location, Rectangular Tops

Specify location by using the designated codes



CODE POSITION

GL	4" from left side - 4" from rear
GC	Centered from side to side - 4" from rear
GR	4" from right side - 4" from rear
G1	Pair of grommets, GL and GR
G5	Three grommets, GL-GC-GR

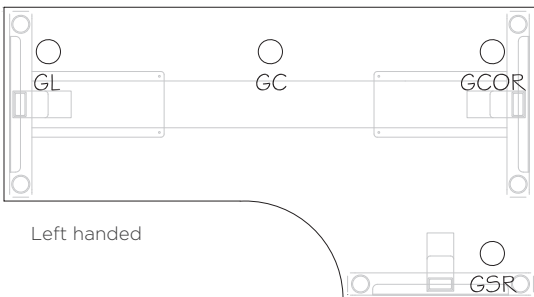
Dimensions are measured from grommet center

For other grommet locations, please call Friant customer success.

Grommets are 3" round with cover standard

2b Select a grommet location, Extended Corner Tops

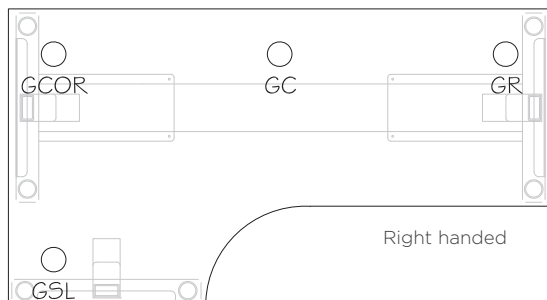
Specify location by using the designated codes



Extended Corner, Left Handed

CODE POSITION

GL	4" from left side - 4" from rear
GC	Centered from side to side - 4" from rear
GCOR	Corner, 4" from Rear
GSR	4" from right side - 4" from rear



Extended Corner, Right Handed

CODE POSITION

GCOR	Corner, 4" from Rear
GC	Centered from side to side - 4" from rear
GR	4" from right side - 4" from rear
GSL	4" from left side - 4" from rear

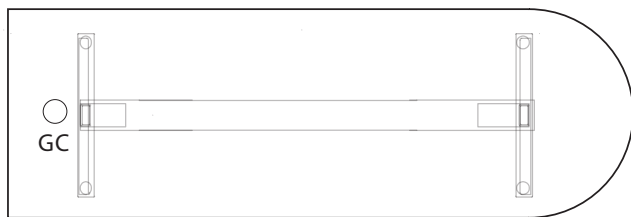
Dimensions are measured from grommet center

For other grommet locations, please call Friant customer success.

Grommets are 3" round with cover standard

Grommet Locations cont'd

2c Select a grommet location, D-Shaped Tops
Specify location by using the designated codes



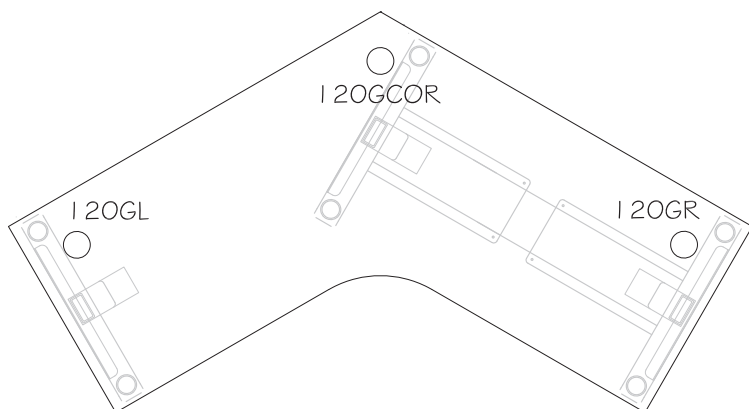
CODE	POSITION
GC	Centered from side to side - 4" from rear

Dimensions are measured from grommet center

For other grommet locations, please call Friant customer success.

Grommets are 3" round with cover standard

2d Select a grommet location, 120° Tops
Specify location by using the designated codes



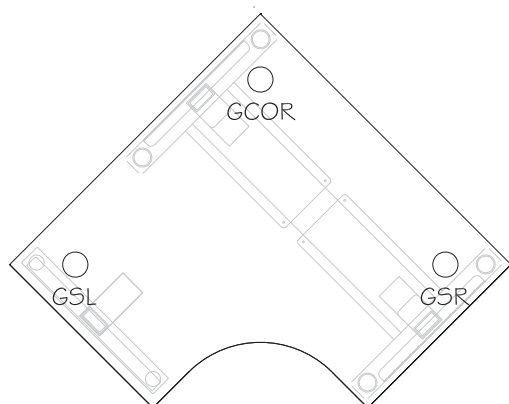
CODE	POSITION
120GL	4" from left side - 4" from rear
120GCOR	Corner - 4" from rear
120GR	4" from right side - 4" from rear

Dimensions are measured from grommet center

For other grommet locations, please call Friant customer success.

Grommets are 3" round with cover standard

2e Select a grommet location, 90° Equal Corners
Specify location by using the designated codes



CODE	POSITION
GSL	4" from left side - 4" from rear
GCOR	Corner - 4" from rear
GSR	4" from right side - 4" from rear

Dimensions are measured from grommet center

For other grommet locations, please call Friant customer success.

Grommets are 3" round with cover standard

Power Grommet Locations - Notch Cutouts, My-Hite Worksurfaces

FRIANT Power Grommet notch cutouts are required when specifying a Power Grommet on a worksurface supported by a My-Hite C-Leg adjustable height table base. Choose the size of power grommet (5x8 only) and cutout location (left, center or right). Specify Power Grommets on page 14. An upcharge of \$75 applies for cutouts.

NOTE: Notch cutouts only available with 5x8 Power grommets and C-leg bases.

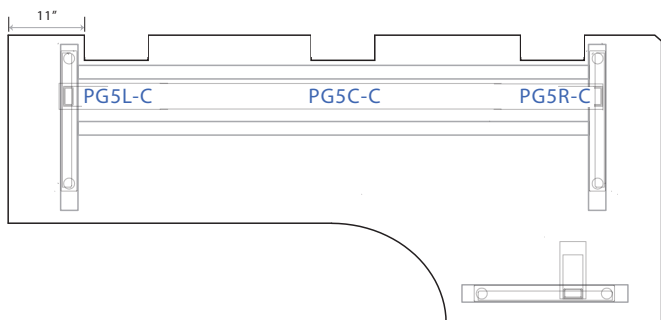
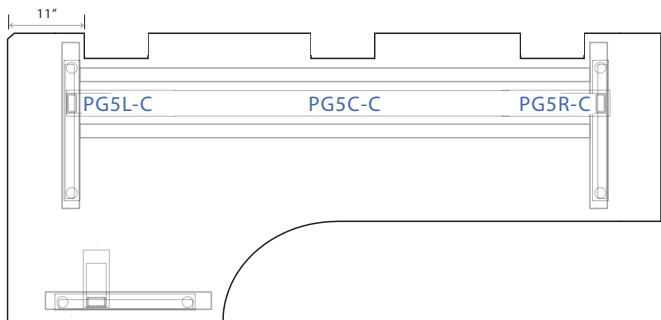
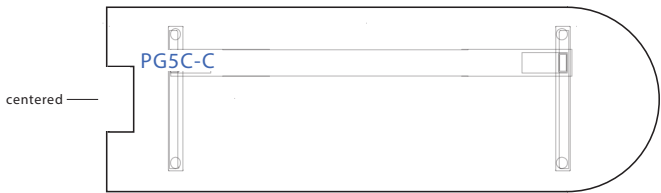
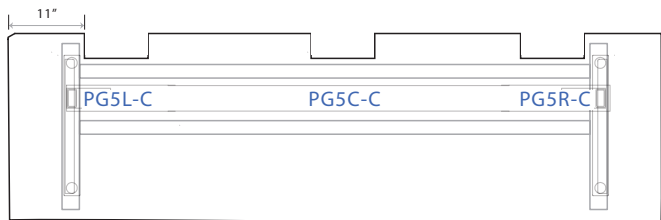
INTRODUCTION

1 Select a My-Hite worksurface

My-Hite worksurfaces (starting on page 43)

2 Select a power grommet notch cutout location

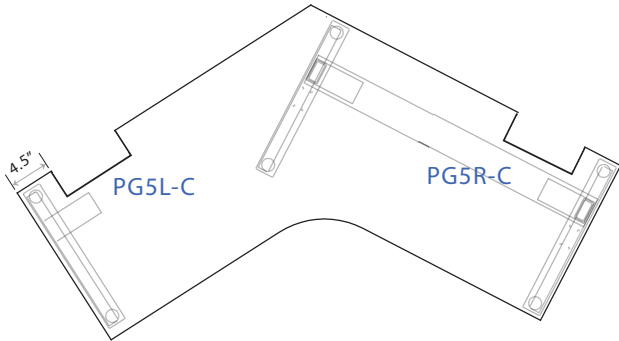
CODE	POSITION
PG5L-C	11" from left side
PG5C-C	Centered
PG5R-C	11" from right side



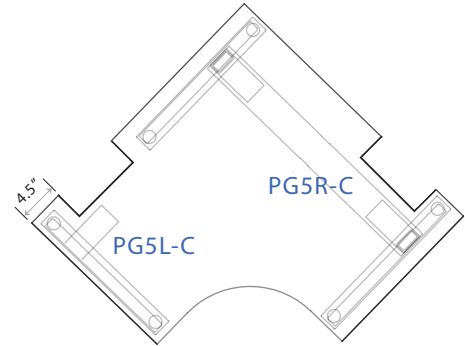
120° and 90° worksurfaces

CODE	POSITION (Specific to 120° and 90°)
PG5L-C	4.5" from left side
PG5R-C	4.5" from right side

Positions for 120° worksurfaces:



Positions for 90° equal corner worksurfaces:



Power Grommet Locations - Interior Cutouts, My-Hite Worksurfaces

FRIANT Power Grommet interior cutouts are used when specifying a Power Grommet on a worksurface supported by a My-Hite T-Leg adjustable height table base. Choose the size of power grommet (5x8 or 6x8) and cutout location (left, center or right). Specify Power Grommets on page 16. An upcharge of \$75 applies for cutouts.

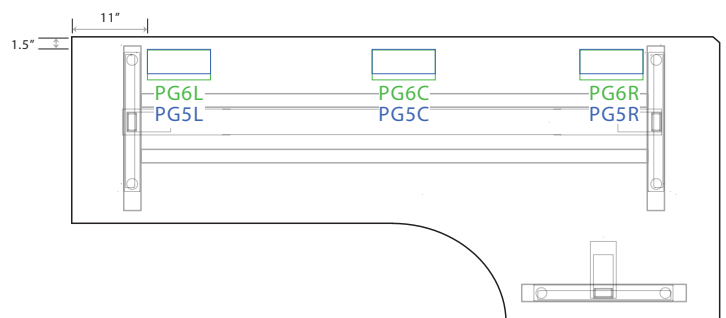
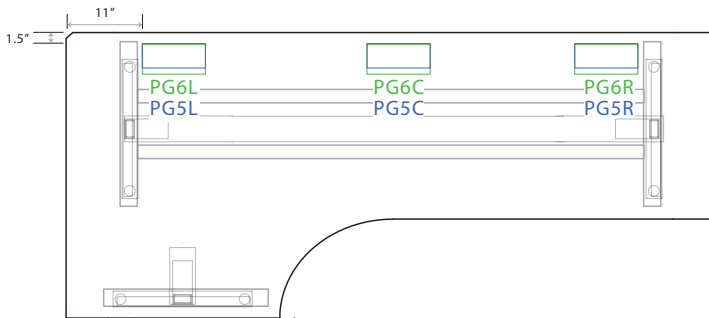
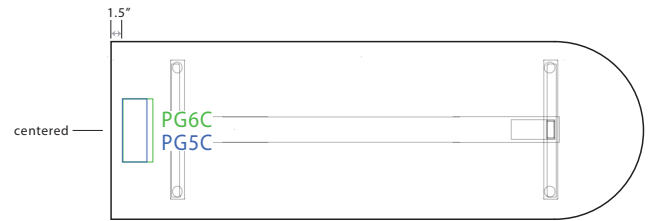
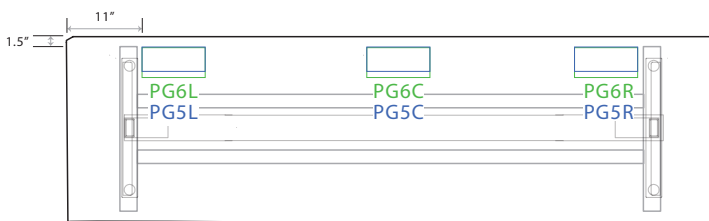
NOTE: Standard position Interior cutouts are not compatible with C-leg bases.

1 Select a My-Hite worksurface

My-Hite worksurfaces (starting on page 43)

2 Select a power grommet interior cutout location

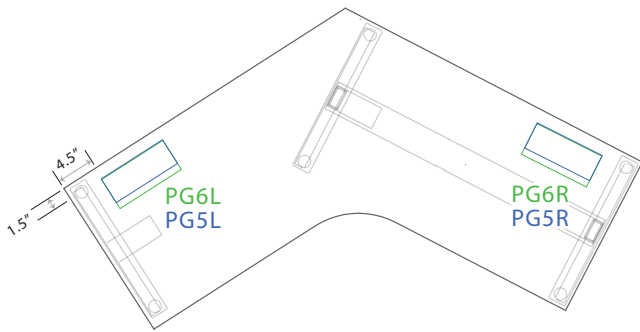
CODE	POSITION
PG6L	11" from left side, 1.5" from back
PG6C	Centered, 1.5" from back
PG6R	11" from right side, 1.5" from back
PG5L	11" from left side, 1.5" from back
PG5C	Centered, 1.5" from back
PG5R	11" from right side, 1.5" from back



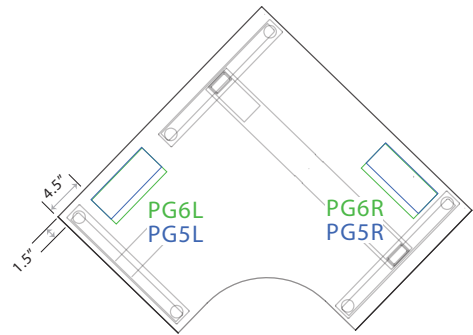
120° and 90° worksurfaces

CODE	POSITION (Specific to 120° and 90°)
PG6L	4.5" from left side, 1.5" from back
PG6R	4.5" from right side, 1.5" from back
PG5L	4.5" from left side, 1.5" from back
PG5R	4.5" from right side, 1.5" from back

Positions for 120° worksurfaces:



Positions for 90° equal corner worksurfaces:

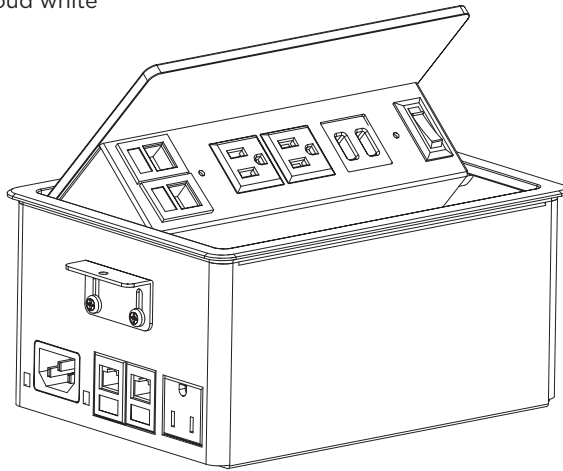


Power Grommet

FRIANT power grommets are available to meet different worksurface power and data needs. Choose the color of the power grommet (brushed aluminum, brushed charcoal, or cloud white). Specify power grommets on page 65 .

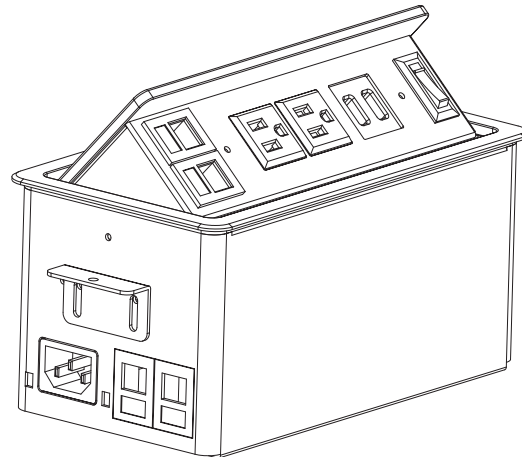
3 FINISHES AVAILABLE

Brushed aluminum, brushed charcoal and cloud white



INCLUDES SPRING CORD

(Not shown) For connection to power source



POWER GROMMETS

6x8

- (2) CAT6 Data Ports
- (4) Power Outlets
- (2) USB Ports

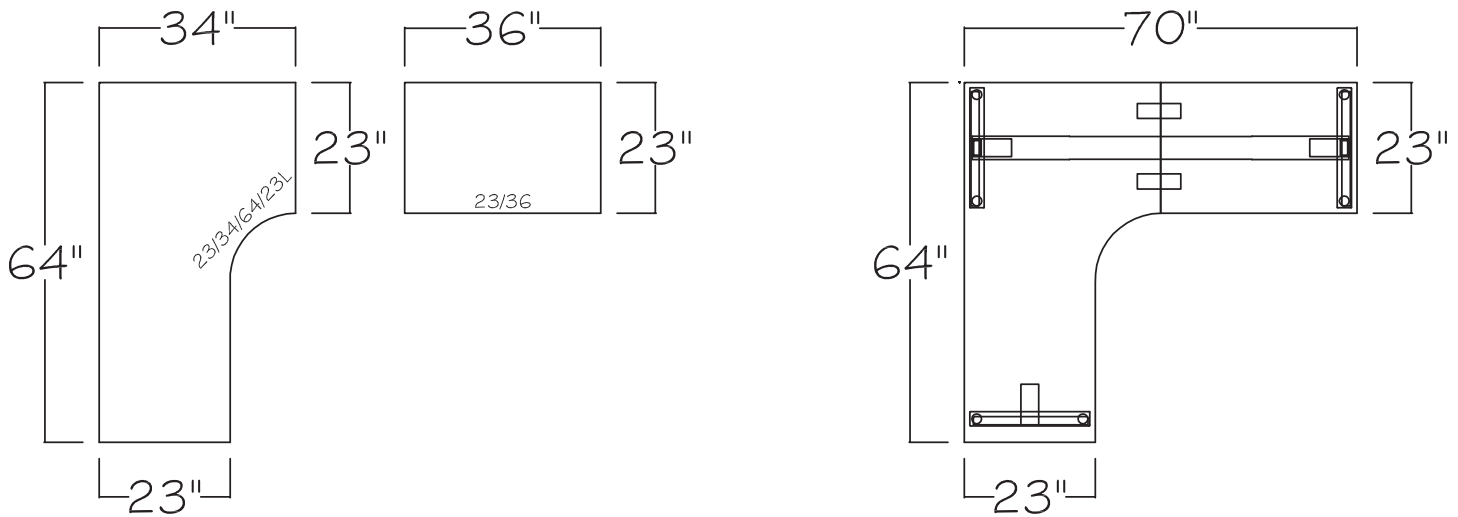
5x8

- (2) CAT6 Data Ports
- (3) Power Outlets
- (2) USB Ports

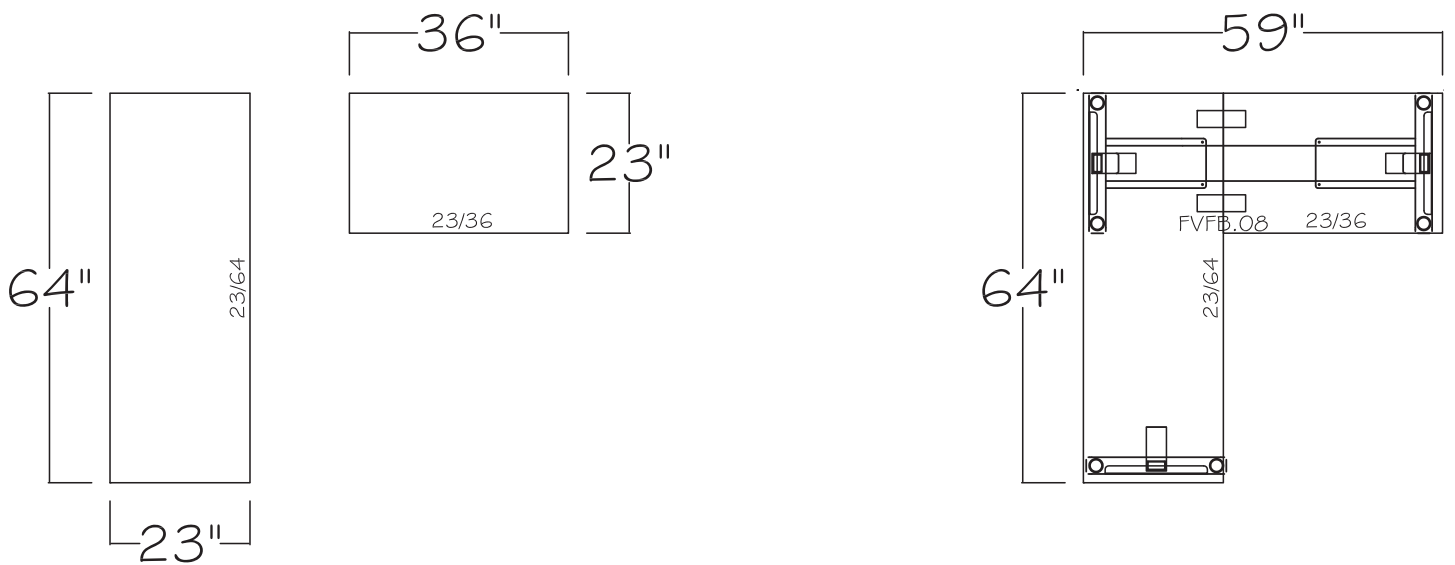
How To Specify My-Hite 2-Piece Extended Corner or Rectangular Tops

Use a FVFB.08 Flat Bracket pair to attach the two surfaces, making sure the seam is oriented so that it is supported by the continuous part of the My-Hite Corner Base. Maximum width combined: 84x84" (All My-Hite bases) or 72x96" (3 Stage base only). Specify the Rectangular Extension on page 98.

To create an extended corner My-Hite station, specify an Extended Curved Corner with a Rectangular Extension.



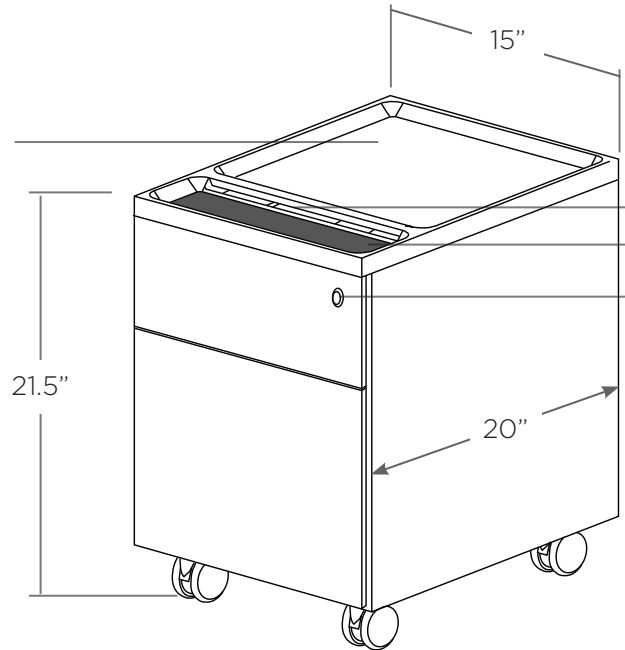
To create a two piece rectangular corner top, specify two rectangular tops, or a rectangular top and one rectangular extension.



Mobile Pedestals

FRIANT pedestals are available in a variety of options to meet different storage needs. Choose the color of the pedestal, and, as options, the color of the foam cushion and the color of the top cap. Pedestals include pencil tray, mail slot and keyed alike options for locks. Front to back file bars are included.

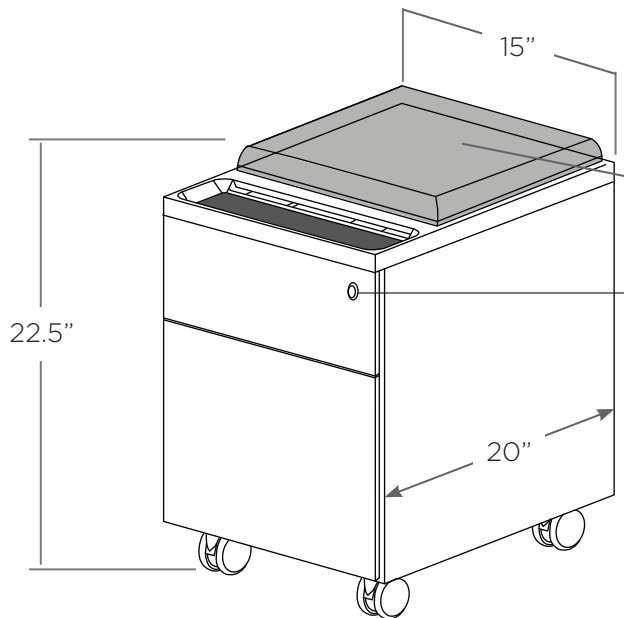
BOX/FILE MOBILE PEDESTAL
Top of pedestal is finished



MAIL SLOT
PENCIL TRAY

LOCKING
Keyed alike option is available. (page 62)

BOX/FILE PEDESTAL
Ships standard with (2) locking and (2) non-locking casters.



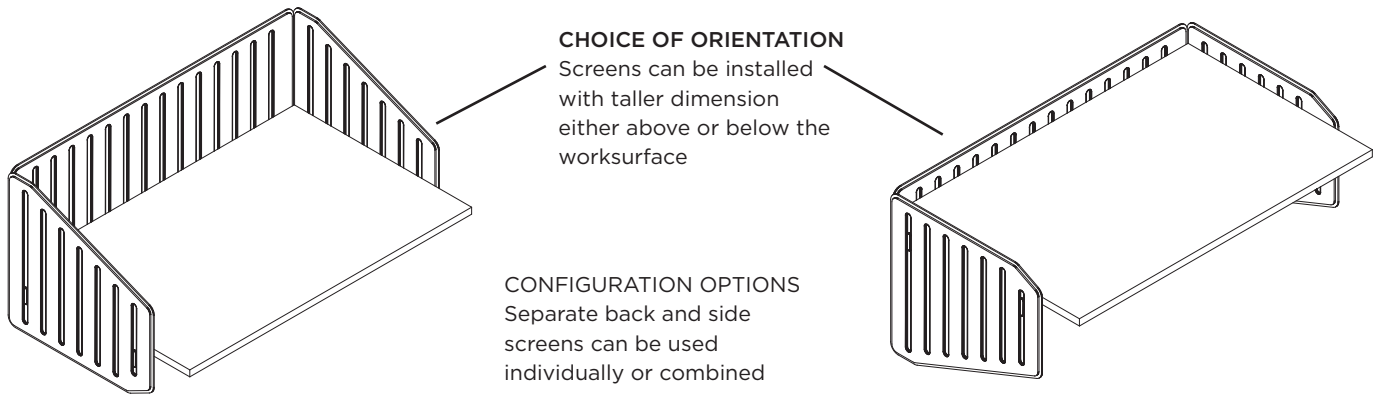
OPTIONAL FOAM CUSHION
Mobile pedestals can be topped with a foam cushion.

LOCKING
Keyed alike option is available.

FRONT TO BACK FILE BAR
ship standard.

Fly Screens

Fly screens are PET screens that mount to the underside of any worksurface. Screens are sold individually, and can be combined and configured in several ways.

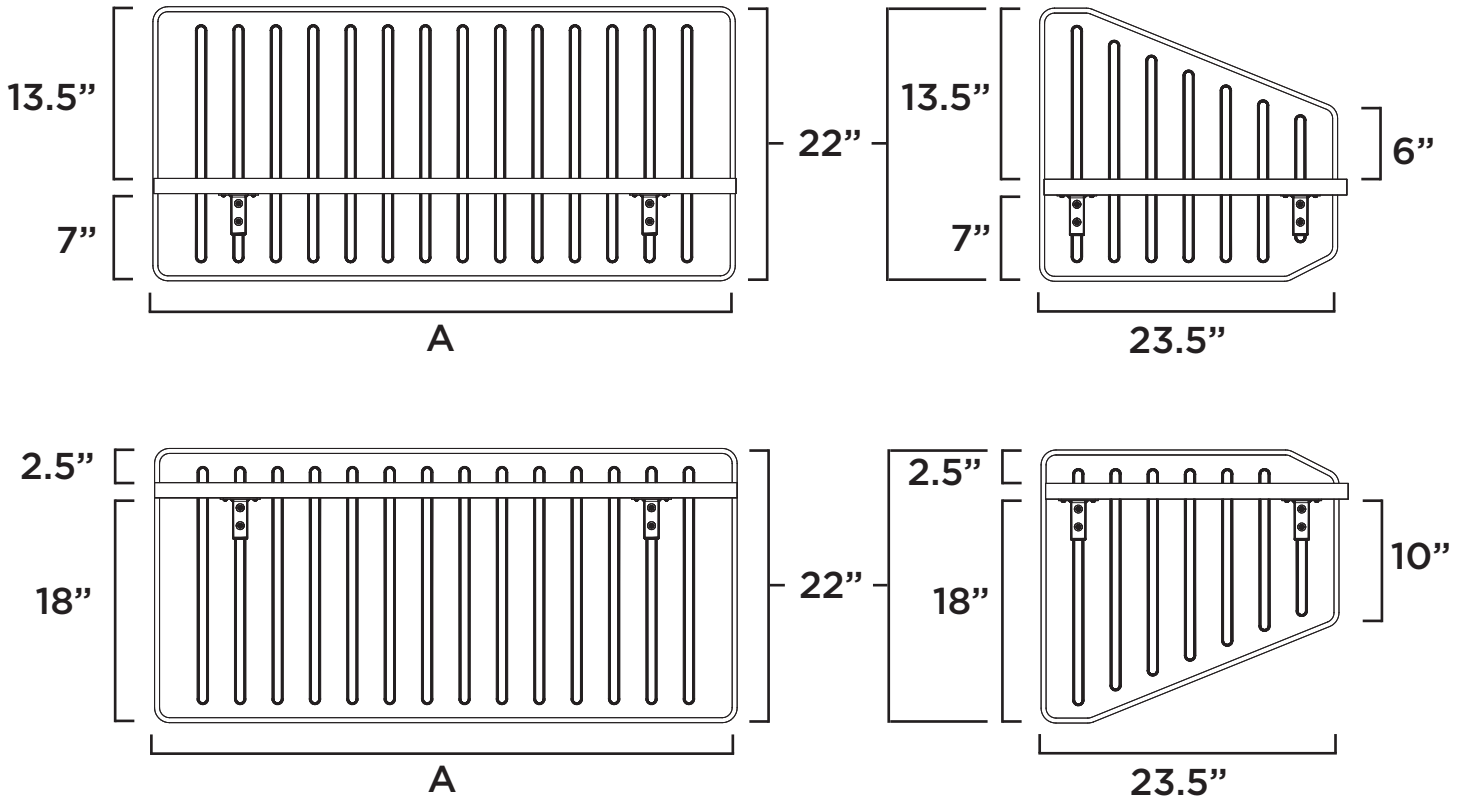


FLYP SCREEN DIMENSIONS

Fly screens are sized to match the width of **REDUCED SIZE TOPS**. When used with full sized tops, there is a gap. Fly side screens are 23.5" wide, on 23" deep tops, the screen will overhang past the worksurface slightly. Please see below for dimensions.

	FPSFLYP.2246	FPSFLYP.2258	FPSFLYP.2270
A	46"	58"	70"

FPSFLYP.2224

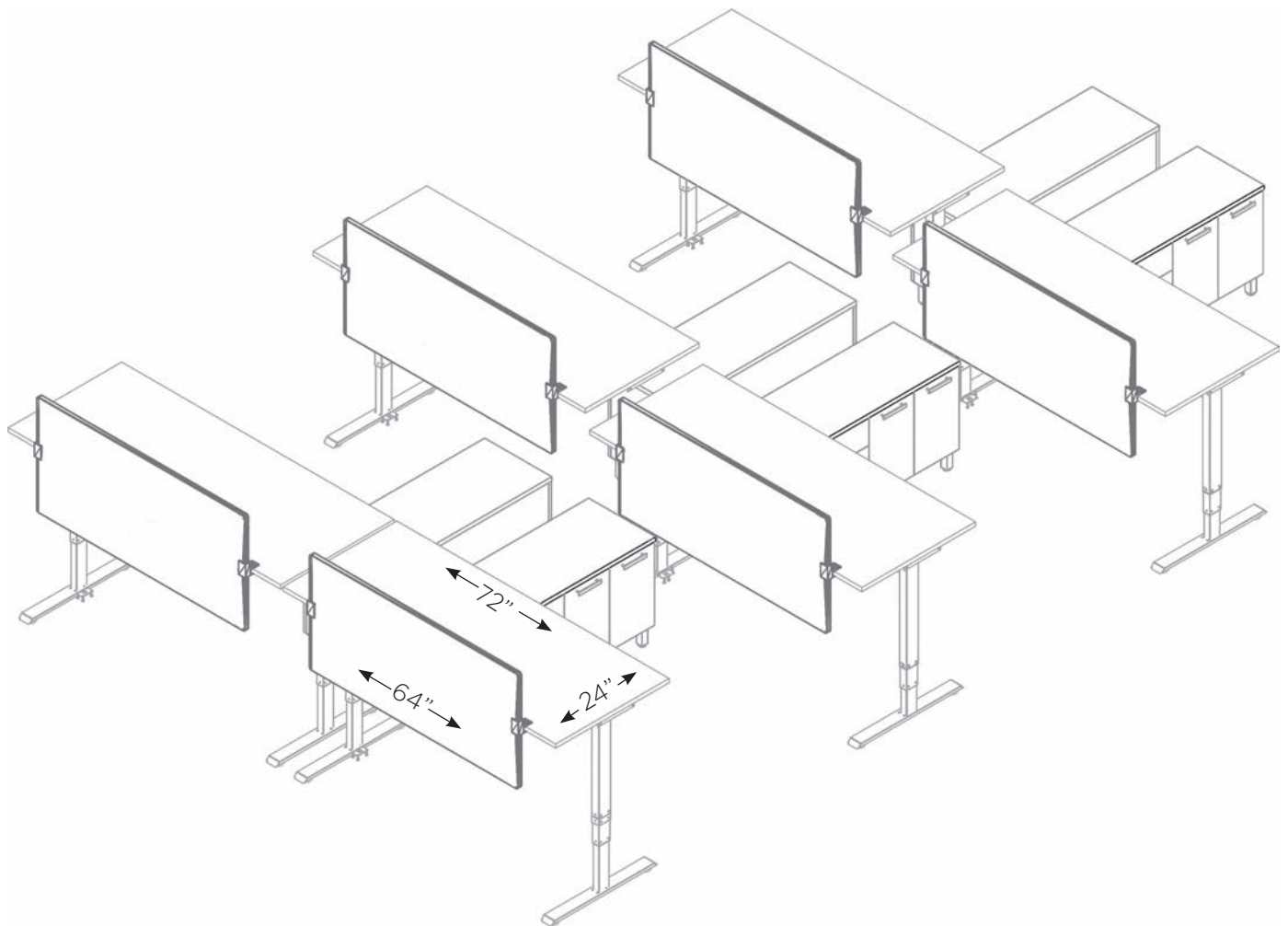


Freestanding Application Example of My-Hite

As a Standalone

- Order Base (page 33)
- Order Top (page 43)

Note: Dimensions are actual for standalone tops



Freestanding Workstation Example

- **Base:** FSQAHBT-24-3

3 stage base range 24.5"-50", page 33

- **Worktop:** FSQAHT-2472

Rectangular worksurface, page 43

- **Privacy Screen:** FPSFLUSH.2472

Fabric covered privacy screen, page 55

- **Credenza:** FCREDSQAP.48L

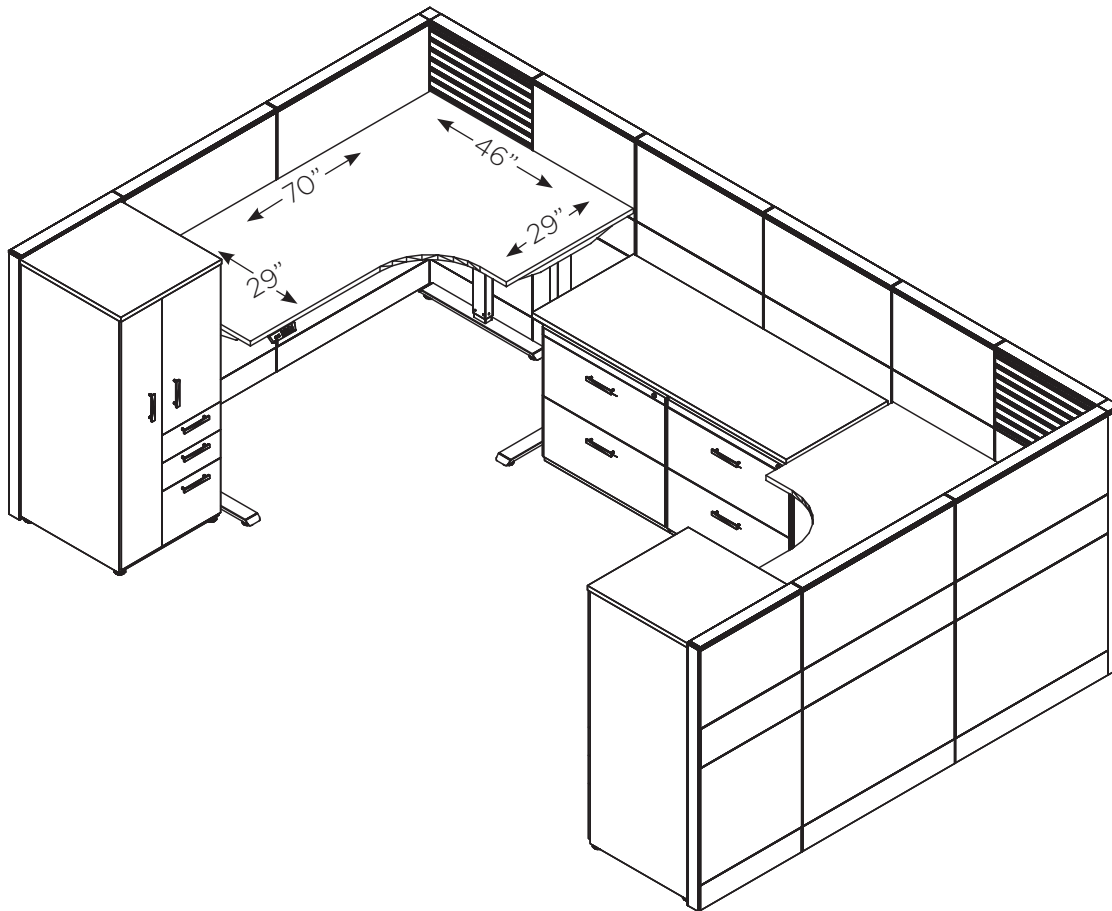
Freestanding credenza, Novo Pricebook, page 82

Workstation Application Example of My-Hite (Interra)

As part of a Workstation

- Order Base (page 33 or 40)
- Order Top within System Pricebook
 - System 2 - Novo
 - Dash - Interra
 - Verity

Note: Top size reduced 1" in depth and 2" in width to fit within system workstation and prevent pinch points. See system pricebook for details. We do not recommend using full size worktop in paneled workstation applications.



Interra Workstation Example:

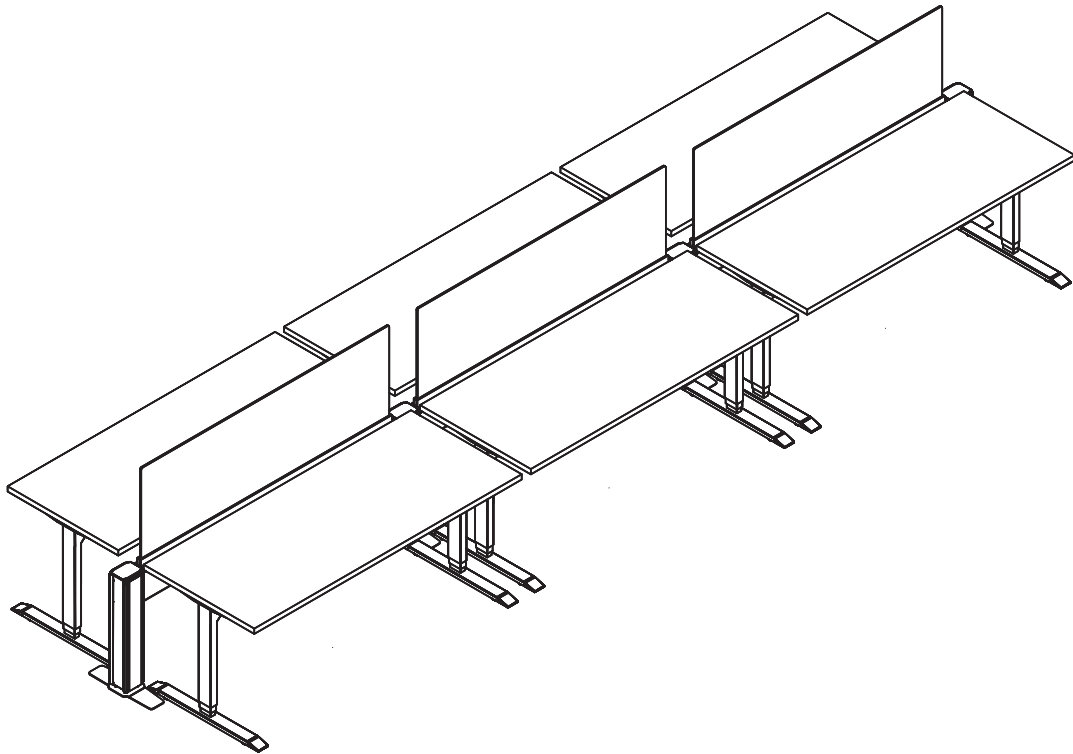
- **Base:** FCNAHB-24-3
3 stage base range 24.5"-50", page 35
- **Worksurface:** FIECCWS.29467029 L/R
Corner worksurface top only. For use with height adjustable base within workstation application - Interra Pricebook, page 70

Beam Application Example of My-Hite

With Beam Application

- Order Base (page 33 or 40)
- Order Top (page 94)

Note: Top size reduced 1" in depth and 2" in width to fit with beam application and prevent pinch points. See page 94. We do not recommend using full size worktops with beam application.

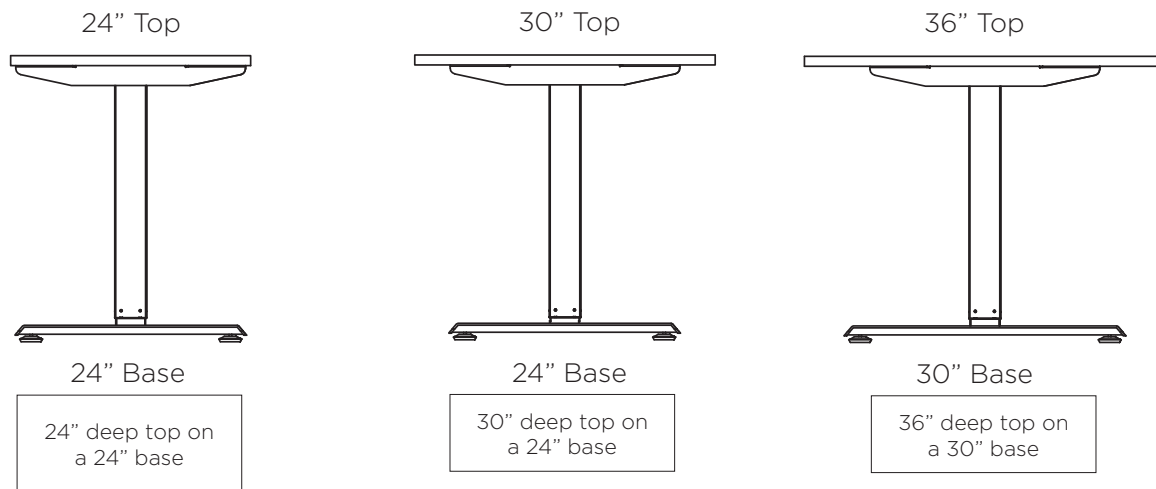


Beam Workstation Example:

- **Base:** Straight Base
3 stage base range 24.5"- 50", page 33
- **Worksurface:** FBRWS.2370
Straight worksurface top only. For use with height adjustable base within beam application.- page 94

Base Application — 3 stage

Worksurface depth



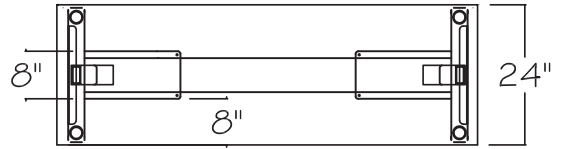
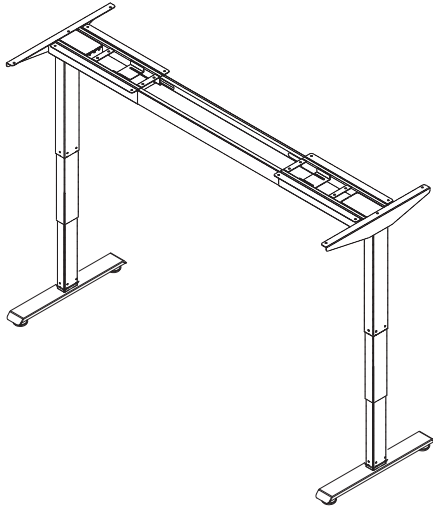
Electrical Draw of My-Hite — 3 stage

TABLE	MOTION	WATTS	AMPS
ONE (1) ADJUSTABLE TABLE	START UP DRAW	-	< 5 AMP
ONE (1) LOADED ADJUSTABLE TABLE	RUNNING DRAW	360W	4.16 AMP
ONE (1) EMPTY ADJUSTABLE TABLE	RUNNING DRAW	200W	2.08 AMP
ONE (1) ADJUSTABLE TABLE (NOT IN MOTION)	DRAW	-	0 AMP

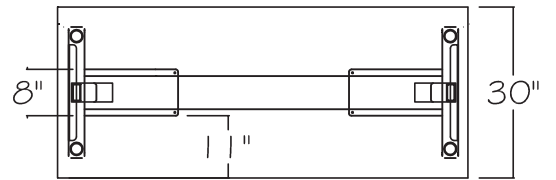
Trough Cover Dimensions — 3 stage

Fixed trough cover is 2.5" tall and 8" deep

T Style Base
72" width tops shown

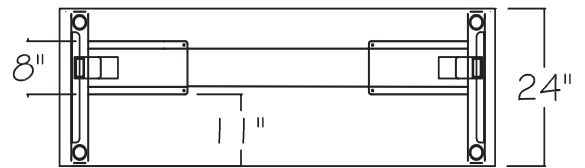
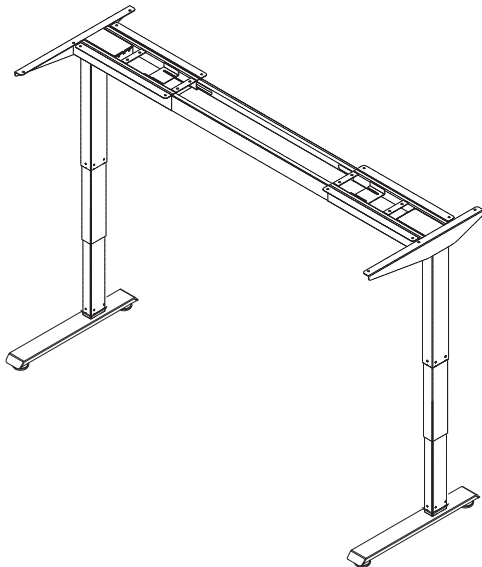


24" D top on 24"D base

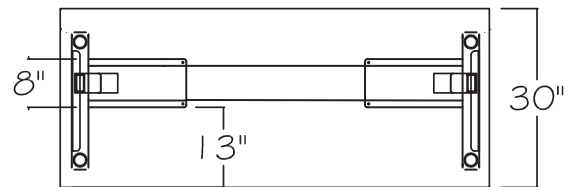


30" D top on 24"D base

C Style Base
72" width tops shown



24" D top on 24"D base



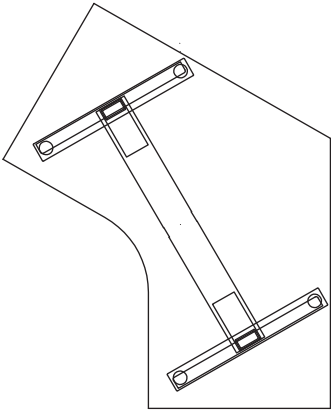
30" D top on 24"D base

Recommended Top Application — 3 stage

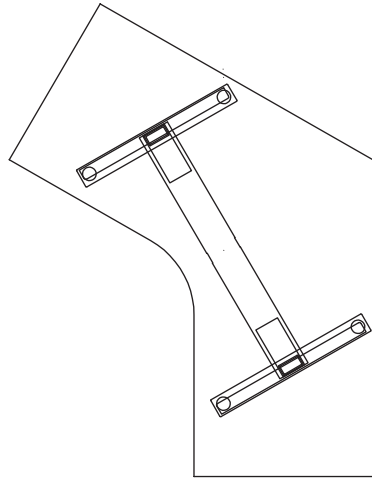
Corner Worksurfaces

1 120° Tops

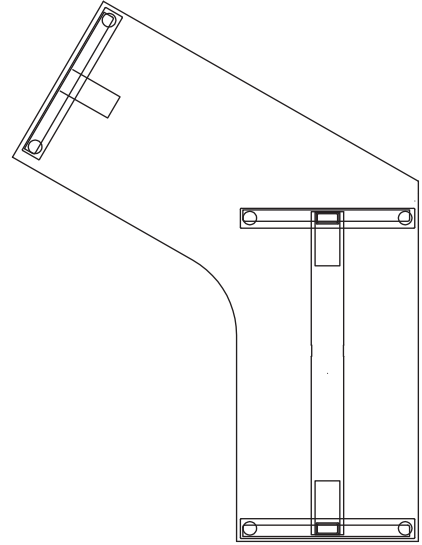
NOTES: 120° corners - use straight base on 36" and 42" wide worksurfaces.
Use corner base on worksurfaces 48" or larger.



36" Top
(Straight Base)



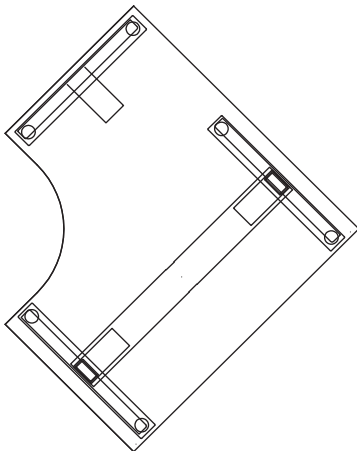
42" Top
(Straight Base)



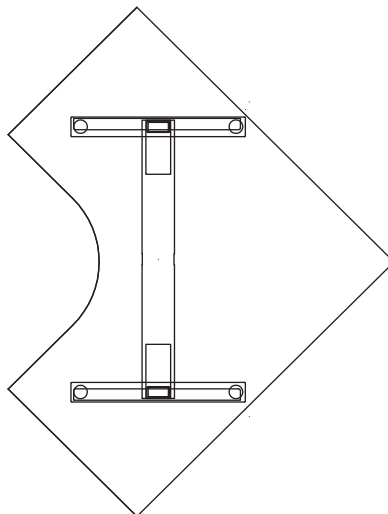
48" Top
(Corner Base)

2 90° Tops

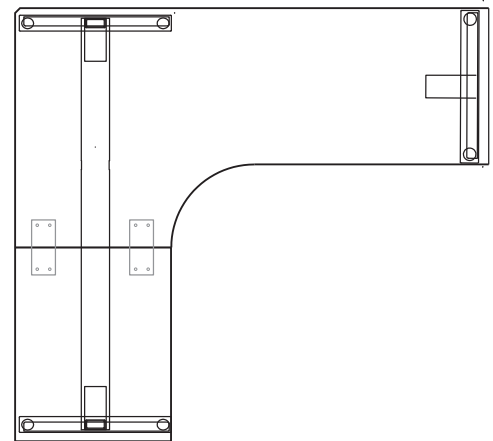
NOTES: 90° corners - use straight base on 48" worksurfaces only.
Use corner base on 42" or extended corners.



42" Top
(Corner Base)



48" Top
(Straight Base)



72X72" Top
(Corner Base)

Technical Specifications — 3 Stage

Straight Legs

See pages 33-34

Display	Digital display with three programmable presets
Foot Length in inches	22" and 28" available for 24" and 30", 36" worksurfaces
Legs	3 stage, available as as T or C leg
Leg Post Size	2.75" x 2.75"
Height range (excluding top)	24.5"- 50"
Frame width expansion	Width extendable 38"- 68" in 1 mm increments
Worksurface widths	42" - 84", See pages 43 to 53
Worksurface depths	24", 30" and 36", See pages 43 to 53
Power Cord Length	9'
Max lifting capacity	220 lbs
Base weight without top	62 lbs
Gauge of Steel	Inner/Middle tubes: 2mm / Outer tube 2mm = 12 gauge
Speed	40 mm/s
Table Not In Motion, Electrical Draw	0 W
Loaded Running Table, Electrical Draw	200/360 W
UL	UL962

Technical Specifications — 3 Stage

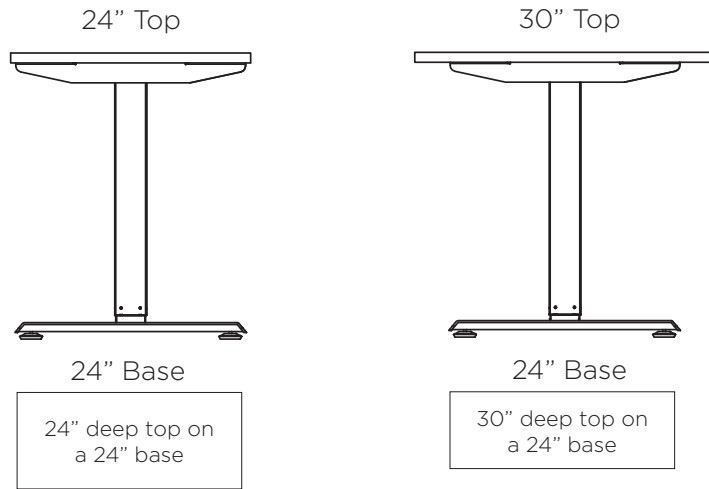
Corner

See pages 35 to 38

Display	Digital display with three programmable presets
Foot Length in inches	22" and 28" available for 24" and 30", 36" worksurfaces
Legs	3 stage, available as as T or C leg
Leg Post Size	2.75" x 2.75"
Height range (excluding top)	24.5"- 50"
Frame width expansion	Width extendable 38"- 68" in 1 mm increments
Worksurface widths	42" - 84", See pages 43 to 53
Worksurface depths	24", 30" and 36", See pages 43 to 53
Power Cord Length	9'
Max lifting capacity	330 lbs
Base weight without top	90 lbs
Gauge of Steel	Inner/Middle tubes: 2mm / Outer tube 2mm = 12 gauge
Speed	40 mm/s
Table Not In Motion, Electrical Draw	0 W
Loaded Running Table, Electrical Draw	200/360 W
UL	UL962

Base Application — 2 stage

Worksurface depth



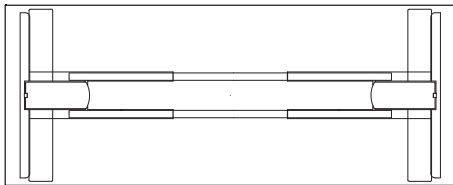
Electrical Draw of My-Hite — 2 stage

TABLE	MOTION	WATTS	AMPS
ONE (1) ADJUSTABLE TABLE	START UP DRAW	400W	< 5 AMP
ONE (1) LOADED ADJUSTABLE TABLE	RUNNING DRAW	400W	3 AMP
ONE (1) EMPTY ADJUSTABLE TABLE	RUNNING DRAW	200W	1.5 AMP
ONE (1) ADJUSTABLE TABLE (NOT IN MOTION)	DRAW	.3W	0 AMP

Recommended Top Application – 2 stage

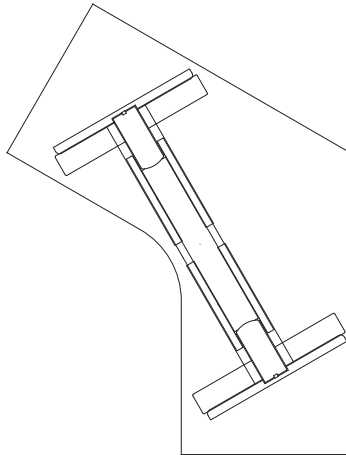
Certain sizes of My-Hite tops can be used with 2 stage bases. See below for additional information.

**Rectangular
(Straight Base)**



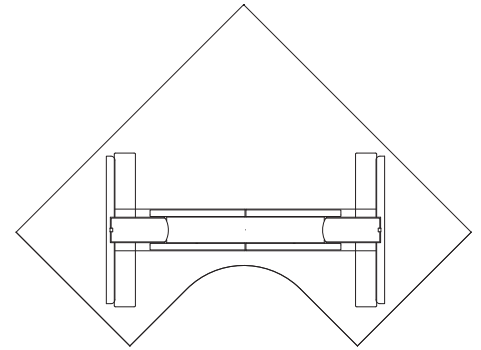
Depth: 23"/24", 29"/30"
Width: Min - 42" (no 40")
Max - 84"

**120° Corner
(Straight Base)**



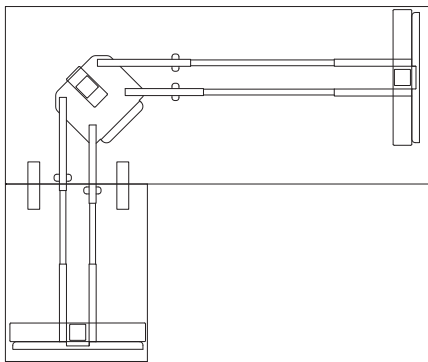
Depth: 23"/24"
Width: Min - 36" (no 34")
Max - 40"/42"

**90° Corner
(Straight Base)**



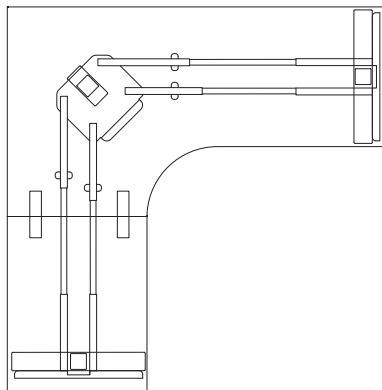
Depth: 23"/24", 29"/30"
Width: Min - 46"/48" only

**Two Piece Rectangular
(Corner Base)**



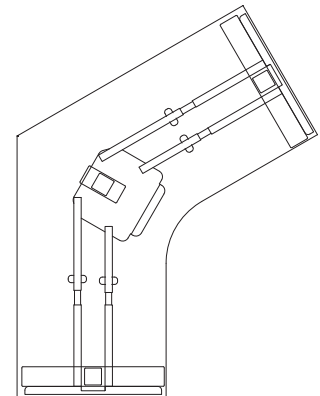
Depth: 23"/24", 29"/30"
Width: Min - 48"x48"
Max - 84"x84"

**Two Piece Extended Curved
Corner (Corner Base)**



Depth: 23"/24", 29"/30"
Width: Min - 48"x48"
Max - 84"x84"

**120° Corner
(Corner Base)**



Depth: 23"/24"
Width: Min - 42"x42" (no 40")
Max - 72"x72"

Technical Specifications — 2 stage

Straight Legs

See page 40

Display	Digital display with four programmable presets
Foot Options	24" ONLY
Legs	T LEG
Leg Post Size	2.72" x 2.72"
Height range(excluding top)	27"- 45.5"
Frame width expansion	Width extendable 41"- 74" in 1mm increments
Worksurface widths	42"- 84"
Worksurface depths	24" - 30"
Max lifting capacity	260 lbs
Base weight without top	66 lbs
Gauge of Steel	Inner/Middle tubes:1.5mm/Outer tube 1.5mm
Speed	36mm/s
Table Not in Motion,Electrical Draw	.3 W
Loaded Running Table,Electrical Draw	400W
Decibel Rating	50 db
Power Cord	10' cord - 3 PRONG PLUG
Finishes	CW, BU, SV
UL	UL962
Warranty	5 YEARS

Technical Specifications for Bases - 2 stage

Corner Legs

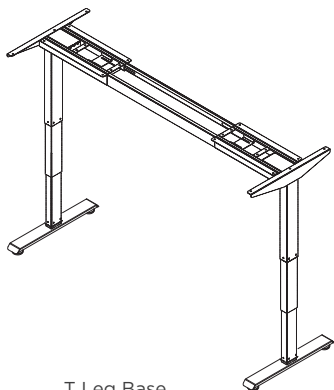
See page 41

Display	Digital display with four programmable presets
Foot Options	24"
Legs	T LEG
Leg Post Size	2.72" x 2.72"
Height range(excluding top)	27"- 45.5"
Frame width expansion	L: 40"- 62" / R:40"- 62"
Worksurface widths	48" - 84"
Worksurface depths	24" - 30"
Max lifting capacity	330 lbs
Base weight without top	85lbs
Gauge of Steel	Inner/Middle tubes:1.5mm/Outer tube 1.5mm
Speed	36mm/s
Table Not in Motion,Electrical Draw	.3 W
Loaded Running Table,Electrical Draw	400W
Decibel Rating	50 db
Power Cord	10' cord - 3 PRONG PLUG
Finishes	CW, BU, SV
UL	UL962
Warranty	5 years

SPECIFY 3 STAGE

Straight T-Leg Base

3 stage



T Leg Base

DESCRIPTION

Electric height 3 stage adjustable base range 24.5"-50"

NOTES

- Order worksurface separately
- Base adjusts 38" to 68" wide
- Maximum recommended top: 84"
- Minimum recommended top: 40"
- Weight load 220 lbs
- Fixed trough cover - see page 24
- Maximum recommended overhang of 12"

SPECIFICATION OPTIONS

product #: see charts below
base finish: page 9

ORDER EXAMPLE

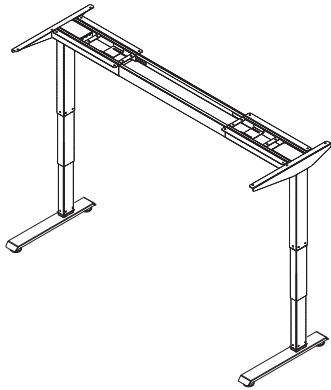
product #: FSQAHBT-24-3
base finish: SV Silver

STRAIGHT BASE

PART #	HEIGHT	WIDTH	DEPTH	PRICE	RECOMMENDED APPLICATION
FSQAHBT-24-3	24.5" - 50"	40"-68"	24"	\$1,738	<ul style="list-style-type: none"> • Order 24" base for use with 30" deep worksurfaces • Order 30" base for use with 36" deep worksurfaces • Minimum worksurface width: 40" • Maximum recommended worksurface width: 84" • 120° corners - use straight base on 36" and 42" wide worksurfaces • 90° corners, equal or extended - use corner base, page 25 (exception: 90° 48" top uses straight base, see images)
FSQAHBT-30-3	24.5" - 50"	40"-68"	30"	\$1,738	

Straight C-Leg Base

3 stage



C-Leg Base

DESCRIPTION

Electric height 3 stage adjustable base range 24.5"-50"

NOTES

- Order worksurface separately
- Base adjusts 38" to 68" wide
- Maximum recommended top: 84"
- Minimum recommended top: 40"
- Weight load 220 lbs
- Fixed trough cover - see page 24
- Maximum recommended overhang of 12"

SPECIFICATION OPTIONS

product #: see charts below
base finish: page 9

ORDER EXAMPLE

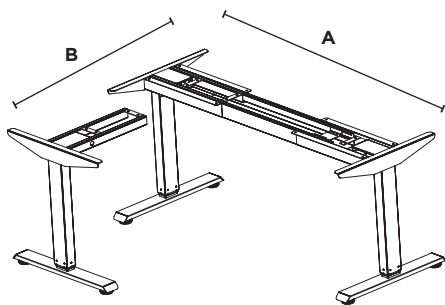
product #: FSQAHBC-24-3
base finish: CW Cloud White

STRAIGHT BASE

PART #	HEIGHT	WIDTH	DEPTH	PRICE	RECOMMENDED APPLICATION
FSQAHBC-24-3	24.5" - 50"	40"-68"	24"	\$1,738	<ul style="list-style-type: none"> • Order 24" base for use with 30" deep worksurfaces • Order 30" base for use with 36" deep worksurfaces • Minimum worksurface width: 40" • Maximum recommended worksurface width: 84" • 120° corners - use straight base on 36" and 42" wide worksurfaces • 90° corners, equal or extended - use corner base, page 25 (exception: 90° 48" top uses straight base, see images)
FSQAHBC-30-3	24.5" - 50"	40"-68"	30"	\$1,738	

Corner T-Leg Base

3 stage



T Leg Base

DESCRIPTION

Electric height 3 stage adjustable base range 24.5"-50"

NOTES

- Includes (3) T-Leg bases at the ends and middle of the worksurface
- Order worksurface separately
- Base is: **B** - 34"-54"
A - 38"-68"
- Minimum recommended top: 34x40"
- Maximum recommended top: 72x96" or 84x84"
- Rebound function may loose sensitivity on larger tables
- Weight load 331 lbs
- Fixed trough cover - see page 24
- Maximum recommended overhang of 12"

SPECIFICATION OPTIONS

product #: see charts below
base finish: page 9

ORDER EXAMPLE

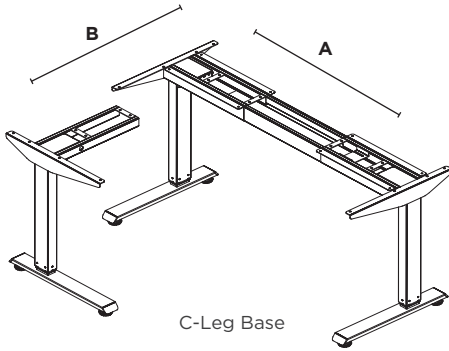
product #: FCNAHBT-24-3
base finish: CW Cloud White

CORNER BASE

PART #	HEIGHT	WIDTH	DEPTH	PRICE	RECOMMENDED APPLICATION
FCNAHBT-24-3	24.5" - 50"	40"-68"	24"	\$2,500	<ul style="list-style-type: none"> • Order 24" base for use with 30" deep worksurfaces • Order 30" base for use with 36" deep worksurfaces • 120° corners - use corner base on 48" wide worksurfaces • 90° corners - use corner base on 42" corner worksurfaces and all size extended corner worksurfaces • My-Hite bases are not for use with 36"x36" 90° corner worksurfaces • See page 25 for details
FCNAHBT-30-3	24.5" - 50"	40"-68"	30"	\$2,500	

Corner C-Leg Base

3 stage



DESCRIPTION

Electric height 3 stage adjustable base range 24.5"-50"

NOTES

- Includes (3) C-Leg bases at the ends and middle of the worksurface
- Order worksurface separately
- Base is: **B** - 34"-54"
A - 38"-68"
- Minimum recommended top: 34x40"
- Maximum recommended top: 72x96" or 84x84"
- Rebound function may loose sensitivity on larger tables
- Weight load 331 lbs
- Fixed trough cover - see page 24
- Maximum recommended overhang of 12"

SPECIFICATION OPTIONS

product #: see charts below
base finish: page 9

ORDER EXAMPLE

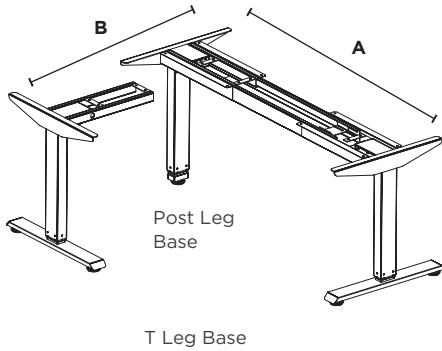
product #: FCNAHBC-24-3
base finish: CW Cloud White

CORNER BASE

PART #	HEIGHT	WIDTH	DEPTH	PRICE	RECOMMENDED APPLICATION
FCNAHBC-24-3	24.5" - 50"	40"-68"	24"	\$2,500	<ul style="list-style-type: none"> • Order 24" base for use with 30" deep worksurfaces • Order 30" base for use with 36" deep worksurfaces • 120° corners - use corner base on 48" wide worksurfaces • 90° corners - use corner base on 42" corner worksurfaces and all size extended corner worksurfaces • My-Hite bases are not for use with 36"x36" 90° corner worksurfaces • See page 25 for details
FCNAHBC-30-3	24.5" - 50"	40"-68"	30"	\$2,500	

Corner T-Leg Post Base

3 stage



DESCRIPTION

Electric height 3 stage adjustable base range 24.5"-50"

NOTES

- Includes (2) T-Leg bases at the ends and (1) Post Leg in the center
- Order worksurface separately
- Base is: **B** - 34"-54"
A - 38"-68"
- Minimum recommended top: 34x40"
- Maximum recommended top: 72x96" or 84x84"
- Rebound function may loose sensitivity on larger tables
- Weight load 331 lbs
- Fixed trough cover - see page 24
- Maximum recommended overhang of 12"

SPECIFICATION OPTIONS

product #: see charts below
base finish: page 9

ORDER EXAMPLE

product #: FCNPAHBT-24-3
base finish: CW Cloud White

CORNER BASE

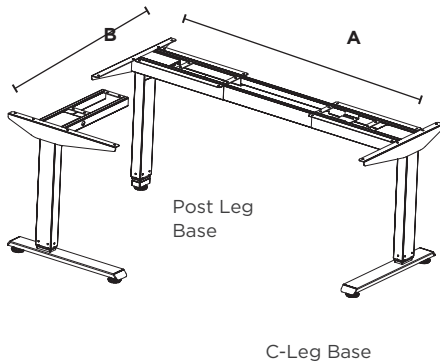
PART #	HEIGHT	WIDTH	DEPTH	PRICE
FCNPAHBT-24-3	24.5" - 50"	40"-68"	24"	\$2,500
FCNPAHBT-30-3	24.5" - 50"	40"-68"	30"	\$2,500

RECOMMENDED APPLICATION

- Order 24" base for use with 30" deep worksurfaces
- Order 30" base for use with 36" deep worksurfaces
- 120° corners - use corner base on 48" wide worksurfaces
- 90° corners - use corner base on 42" corner worksurfaces and all size extended corner worksurfaces
- My-Hite bases are not for use with 36"x36" 90° corner worksurfaces
- See page 25 for details

Corner C-Leg Post Base

3 stage



DESCRIPTION

Electric height 3 stage adjustable base range 24.5"-50"

NOTES

- Includes (2) C-Leg bases at the ends and (1) Post Leg in the center
- Order worksurface separately
- Base is: **B** - 34"-54"
A - 38"-68"
- Minimum recommended top: 34x40"
- Maximum recommended top: 72x96" or 84x84"
- Rebound function may loose sensitivity on larger tables
- Weight load 331 lbs
- Fixed trough cover - see page 24
- Maximum recommended overhang of 12"

SPECIFICATION OPTIONS

product #: see charts below
base finish: see page 9

ORDER EXAMPLE

product #: FCNPAHB-24-3
base finish: CW Cloud White

CORNER BASE

PART #	HEIGHT	WIDTH	DEPTH	PRICE
FCNPAHBC-24-3	24.5" - 50"	40"-68"	24"	\$2,500
FCNPAHBC-30-3	24.5" - 50"	40"-68"	30"	\$2,500

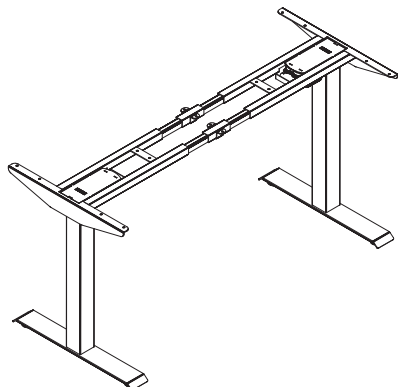
RECOMMENDED APPLICATION

- Order 24" base for use with 30" deep worksurfaces
- Order 30" base for use with 36" deep worksurfaces
- 120° corners - use corner base on 48" wide worksurfaces
- 90° corners - use corner base on 42" corner worksurfaces and all size extended corner worksurfaces
- My-Hite bases are not for use with 36"x36" 90° corner worksurfaces
- See page 25 for details

SPECIFY 2 STAGE

Straight T-Leg Base

2 stage



DESCRIPTION

Electric 2-stage height adjustable base range 27"- 45.5"

NOTES

- Order worksurface separately
- Base adjusts 41" to 74" wide
- Maximum recommended top: 84"
- Minimum recommended top: 42"
- Weight load - 260 lbs
- Maximum recommended overhang of 12"

SPECIFICATION OPTIONS

product #: see below
base finish: page 9

ORDER EXAMPLE

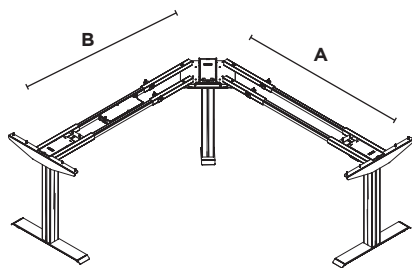
product #: FSQAHBT-24-2
base finish: SV Silver

STRAIGHT BASE

PART #	HEIGHT	WIDTH	DEPTH	PRICE	RECOMMENDED APPLICATION
FSQAHBT-24-2	27"- 45.5"	41"-74"	24"	\$1,479	<ul style="list-style-type: none"> • Supports 24" to 30" deep tops • For use with rectangular worksurfaces, certain sizes of 120° corners or 90° corners • See recommended top application on pg 29

Corner T-Leg Base

2 stage



DESCRIPTION

Electric 2-stage height adjustable base range 27"- 45.5"

NOTES

- Order Worksurface separately
- Base is:
A - 40" to 62"
B - 40" to 62"
- Minimum recommended top: 48"x48"
- Maximum recommended top: 84"x84"
- See page 29 for recommended top applications
- Rebound function may loose sensitivity on larger tables
- Weight load 330 lbs
- Maximum recommended overhang of 12"
- Supports 90, 120 or 180 degree applications

SPECIFICATION OPTIONS

product #: see below
base finish: page 9

ORDER EXAMPLE

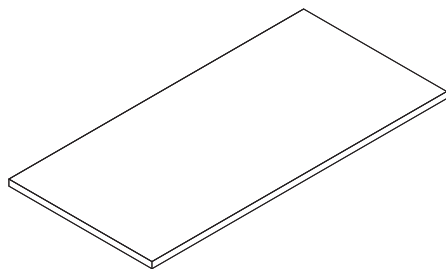
product #: FCNAHBT-24-2
base finish: SV Silver

CORNER BASE

PART #	HEIGHT	WIDTH	DEPTH	PRICE	RECOMMENDED APPLICATION
FCNAHBT-24-2	27"- 45.5"	40"-62"	24"	\$2,179	<ul style="list-style-type: none"> • For use with two piece curved corner or two piece rectangular worksurfaces • See recommended top application on pg 29

WORKSURFACES FOR FREESTANDING APPLICATION

Rectangular Freestanding Application



DESCRIPTION

Laminate worksurface with 3mm PVC edge

NOTES

- Tops are intended for freestanding application
- See system pricebook for use inside a paneled workstation
- Add grommet cutout (add \$75 list). Specify grommet placement GL, GC, GR

SPECIFICATION OPTIONS

product #: see charts below
edge finish: see page 9
worksurface finish: see page 9

ORDER EXAMPLE

product #: FSQAHT.3054
edge finish: DT Dark Tone, E12
worksurface finish: Light Maple, M1
grommet location: GL
grommet color: Cloud White

RECTANGULAR WORKSURFACE

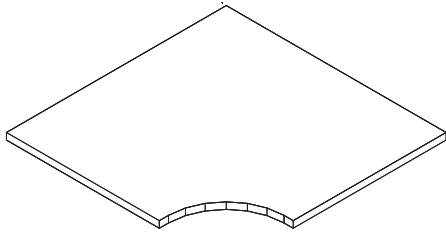
PART #	WIDTH	DEPTH	LIST
FSQAHT.2442	42"	24"	\$380
FSQAHT.2448	48"	24"	\$392
FSQAHT.2454	54"	24"	\$463
FSQAHT.2460	60"	24"	\$474
FSQAHT.2466	66"	24"	\$545
FSQAHT.2472	72"	24"	\$561
FSQAHT.2478	78"	24"	\$684
FSQAHT.2484	84"	24"	\$691
FSQAHT.3042	42"	30"	\$449
FSQAHT.3048	48"	30"	\$463
FSQAHT.3054	54"	30"	\$547
FSQAHT.3060	60"	30"	\$561
FSQAHT.3066	66"	30"	\$650
FSQAHT.3072	72"	30"	\$664
FSQAHT.3078	78"	30"	\$818
FSQAHT.3084	84"	30"	\$824
FSQAHT.3642	42"	36"	\$473
FSQAHT.3648	48"	36"	\$480
FSQAHT.3654	54"	36"	\$843
FSQAHT.3660	60"	36"	\$852
FSQAHT.3666	66"	36"	\$862
FSQAHT.3672	72"	36"	\$871
FSQAHT.3678	78"	36"	\$879
FSQAHT.3684	84"	36"	\$1,005

NOTES

- Sizes are actual . for example: FSQAHT.2448 is 23 7/8" x 47 7/8"
- Not recommended in paneled workstation applications
- Topsize not reduced to eliminate pinch points

Corner Freestanding Application

MY-HITE WORKSURFACES - FREESTANDING APPLICATION



CORNER WORKSURFACE

DESCRIPTION

Laminate worksurface with 3mm PVC edge

NOTES

- Tops are intended for freestanding application
- See System pricebook for use inside a paneled workstation
- Add grommet cutout (add \$75 list). Specify grommet placement GL or GR

SPECIFICATION OPTIONS

product #: see charts below
edge finish: see page 9
worksurface finish: see page 9

ORDER EXAMPLE

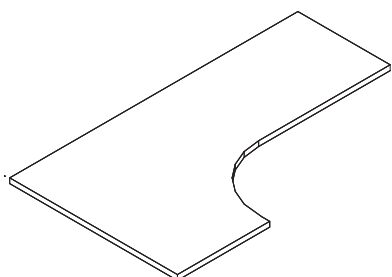
product #: FCCAHS.2448
edge finish: DT Dark Tone, E12
worksurface finish: Light Maple, M1
grommet location: GL
grommet color: Cloud White

PART #	WIDTH	DEPTH	LIST
FCCAHS.2442	42"	24"	\$626
FCCAHS.2448	48"	24"	\$662
FCCAHS.3042	42"	30"	\$681
FCCAHS.3048	48"	30"	\$715

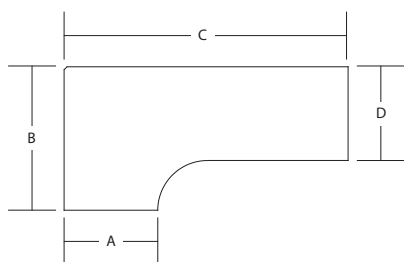
NOTES

- Sizes are actual . for example: FCCAHS.2448 is 23 7/8" x 47 7/8"
- Not recommended in paneled workstation applications
- Topsize not reduced to eliminate pinch points

90° Extended Curved Corner Freestanding Application



Right Extended shown



DESCRIPTION

Laminate worksurface with 3mm PVC edge

NOTES

- Tops are intended for freestanding application
- See system pricebook for use inside a paneled workstation
- Add grommet cutout (add \$75 list). Specify grommet placement GL, GC, GR

SPECIFICATION OPTIONS

product #: see charts below
edge finish: see page 9
worksurface finish: see page 9
left or right extended: L for Left, R for Right

ORDER EXAMPLE

product #: FCCAHS.24366024L
edge finish: E10 Espresso
worksurface finish: M11 Light Walnut
grommet location: PG5L-C
grommet color: Cloud White

24" D CONNECTING SIDE 24" D EXTENSION 36" D

PART #	HEIGHT	A	B	C	D	WT. (LBS)	PRICE
FCCAHS.24366024L	1.25"	24"	36"	60"	24"	76	\$718
FCCAHS.24366024R	1.25"	24"	36"	60"	24"	76	\$718
FCCAHS.24366624L	1.25"	24"	36"	66"	24"	76	\$800
FCCAHS.24366624R	1.25"	24"	36"	66"	24"	76	\$800
FCCAHS.24367224L	1.25"	24"	36"	72"	24"	82	\$813
FCCAHS.24367224R	1.25"	24"	36"	72"	24"	82	\$813
FCCAHS.24367824L	1.25"	24"	36"	78"	24"	82	\$974
FCCAHS.24367824R	1.25"	24"	36"	78"	24"	82	\$974
FCCAHS.24368424L	1.25"	24	36"	84	24	104	\$1,081
FCCAHS.24368424R	1.25"	24	36"	84	24	104	\$1,081

30" D CONNECTING SIDE 30" D EXTENSION 36" D

PART #	HEIGHT	A	B	C	D	WT. (LBS)	PRICE
FCCAHS.30366030L	1.25"	30"	36"	60"	30"	87	\$786
FCCAHS.30366030R	1.25"	30"	36"	60"	30"	87	\$786
FCCAHS.30366630L	1.25"	30"	36"	66"	30"	87	\$868
FCCAHS.30366630R	1.25"	30"	36"	66"	30"	87	\$868
FCCAHS.30367230L	1.25"	30"	36"	72"	30"	95	\$879
FCCAHS.30367230R	1.25"	30"	36"	72"	30"	95	\$879
FCCAHS.30367830L	1.25"	30"	36"	78"	30"	95	\$1,042
FCCAHS.30367830R	1.25"	30"	36"	78"	30"	95	\$1,042
FCCAHS.30368430L	1.25"	30"	36"	84	30"	112	\$1,145
FCCAHS.330368430R	1.25"	30"	36"	84	30"	112	\$1,145

**24" D CONNECTING SIDE
24" D EXTENSION
42" D**

PART #	HEIGHT	A	B	C	D	WT. (LBS)	PRICE
FCCAHS.24426024L	1.25"	24"	42"	60"	24"	83	\$865
FCCAHS.24426024R	1.25"	24"	42"	60"	24"	83	\$865
FCCAHS.24426624L	1.25"	24"	42"	66"	24"	83	\$972
FCCAHS.24426624R	1.25"	24"	42"	66"	24"	83	\$972
FCCAHS.24427224L	1.25"	24"	42"	72"	24"	89	\$987
FCCAHS.24427224R	1.25"	24"	42"	72"	24"	89	\$987
FCCAHS.24427824L	1.25"	24"	42"	78"	24"	89	\$1,196
FCCAHS.24427824R	1.25"	24"	42"	78"	24"	89	\$1,196
FCCAHS.24428424L	1.25"	24	42"	84	24	104	\$1,335
FCCAHS.24428424R	1.25"	24	42"	84	24	104	\$1,335

**30" D CONNECTING SIDE
30" D EXTENSION
42" D**

PART #	HEIGHT	A	B	C	D	WT. (LBS)	PRICE
FCCAHS.30426030L	1.25"	30"	42"	60"	30"	95	\$931
FCCAHS.30426030R	1.25"	30"	42"	60"	30"	95	\$931
FCCAHS.30426630L	1.25"	30"	42"	66"	30"	95	\$1,038
FCCAHS.30426630R	1.25"	30"	42"	66"	30"	95	\$1,038
FCCAHS.30427230L	1.25"	30"	42"	72"	30"	103	\$1,054
FCCAHS.30427230R	1.25"	30"	42"	72"	30"	103	\$1,054
FCCAHS.30427830L	1.25"	30"	42"	78"	30"	103	\$1,264
FCCAHS.30427830R	1.25"	30"	42"	78"	30"	103	\$1,264
FCCAHS.30428430L	1.25"	30"	42"	84	30"	112	\$1,401
FCCAHS.30428430R	1.25"	30"	42"	84	30"	112	\$1,401

**24" D CONNECTING SIDE
24" D EXTENSION
48" D**

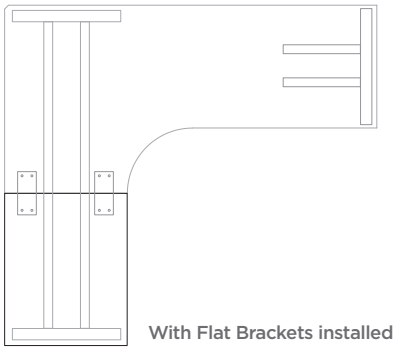
PART #	HEIGHT	A	B	C	D	WT. (LBS)	PRICE
FCCAHS.24486024L	1.25"	24"	48"	60"	24"	89	\$877
FCCAHS.24486024R	1.25"	24"	48"	60"	24"	89	\$877
FCCAHS.24486624L	1.25"	24"	48"	66"	24"	89	\$987
FCCAHS.24486624R	1.25"	24"	48"	66"	24"	89	\$987
FCCAHS.24487224L	1.25"	24"	48"	72"	24"	95	\$1,009
FCCAHS.24487224R	1.25"	24"	48"	72"	24"	95	\$1,009
FCCAHS.24487824L	1.25"	24"	48"	78"	24"	95	\$1,229
FCCAHS.24487824R	1.25"	24"	48"	78"	24"	95	\$1,229
FCCAHS.24488424L	1.25"	24	48"	84	24	112	\$1,378
FCCAHS.24488424R	1.25"	24	48"	84	24	112	\$1,378

**30" D CONNECTING SIDE
30" D EXTENSION
48" D**

PART #	HEIGHT	A	B	C	D	WT. (LBS)	PRICE
FCCAHS.30486030L	1.25"	30"	48"	60"	30"	104	\$945
FCCAHS.30486030R	1.25"	30"	48"	60"	30"	104	\$945
FCCAHS.30486630L	1.25"	30"	48"	66"	30"	104	\$1,054
FCCAHS.30486630R	1.25"	30"	48"	66"	30"	104	\$1,054
FCCAHS.30487230L	1.25"	30"	48"	72"	30"	112	\$1,077
FCCAHS.30487230R	1.25"	30"	48"	72"	30"	112	\$1,077
FCCAHS.30487830L	1.25"	30"	48"	78"	30"	112	\$1,296
FCCAHS.30487830R	1.25"	30"	48"	78"	30"	112	\$1,296
FCCAHS.30488430L	1.25"	30"	48"	84"	30"	112	\$1,439
FCCAHS.30488430R	1.25"	30"	48"	84"	30"	112	\$1,439

Rectangular Extension Freestanding Application

MY-HITE WORKSURFACES - FREESTANDING APPLICATION



DESCRIPTION

Laminate worksurface with 3mm PVC edge

NOTES

- For use in combination with Extended Corner Worksurfaces and Corner My-Hite Bases only
- Not for use alone, nor with straight bases
- Maximum width combined: 84x84" (for all bases) or 72x96" (3 stage base only)

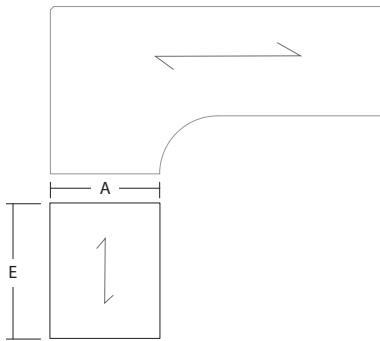
SPECIFICATION OPTIONS

product #: see charts below
worksurface finish: see page 9
edge finish: see page 9

ORDER EXAMPLE

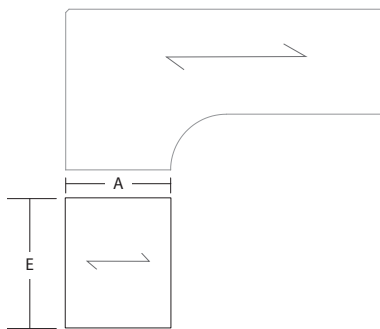
product #: FSQAHT.2424
worksurface finish: Light Maple, M1
edge finish: DT Dark Tone, E12

STANDARD GRAIN



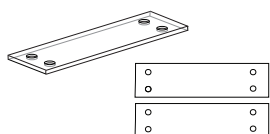
PART #	DEPTH "A"	WIDTH "E"	LIST	NOTES
FSQAHT.2424	24"	24"	\$299	<ul style="list-style-type: none"> • Sizes are actual . for example: FSQAHT.2424 is 23 7/8" x 23 7/8" • Not recommended in paneled workstation applications • Toplevel not reduced to eliminate pinch points • Standard default grain direction is left to right (See left)
FSQAHT.2430	24"	30"	\$342	
FSQAHT.2436	24"	36"	\$353	
FSQAHT.2442	24"	42"	\$380	
FSQAHT.2448	24"	48"	\$392	
FSQAHT.2454	24"	54"	\$463	
FSQAHT.2460	24"	60"	\$474	
FSQAHT.3024	30"	24"	\$396	
FSQAHT.3030	30"	30"	\$451	
FSQAHT.3036	30"	36"	\$464	
FSQAHT.3042	30"	42"	\$449	
FSQAHT.3048	30"	48"	\$463	
FSQAHT.3054	30"	54"	\$547	
FSQAHT.3060	30"	60"	\$561	

CROSS GRAIN



PART #	DEPTH "A"	WIDTH "E"	LIST	NOTES
FSQAHT.2430-CG	24"	30"	\$409	<ul style="list-style-type: none"> • Sizes are actual . for example: FSQAHT.2424 is 23 7/8" x 23 7/8" • Not recommended in paneled workstation applications • Toplevel not reduced to eliminate pinch points • Cross grain direction is front to back (See left)
FSQAHT.2436-CG	24"	36"	\$423	
FSQAHT.2442-CG	24"	42"	\$456	
FSQAHT.2448-CG	24"	48"	\$470	
FSQAHT.2454-CG	24"	54"	\$555	
FSQAHT.2460-CG	24"	60"	\$569	
FSQAHT.3024-CG	30"	24"	\$475	
FSQAHT.3036-CG	30"	36"	\$557	
FSQAHT.3042-CG	30"	42"	\$539	
FSQAHT.3048-CG	30"	48"	\$555	
FSQAHT.3054-CG	30"	54"	\$656	
FSQAHT.3060-CG	30"	60"	\$673	

FLAT BRACKET



PART #	WIDTH	DEPTH	LIST	NOTES
FVFB.08	8"	2"	\$38	<ul style="list-style-type: none"> Used to unite two worksurfaces supported by one base. See page 17. Use a Flat Bracket pair to attach an Extended Curved Corner with a Rectangular Extension. Sold in pairs Black finish

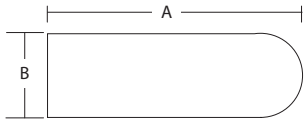
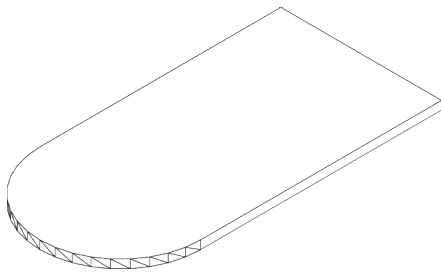
ANTI-SAG BARS



PART #	WIDTH	LIST	NOTES
FWASB.42	42"	\$120	<ul style="list-style-type: none"> Anti-Sag bar, 42" wide with (8) screws. For use with 48 & 54" worktops
FWASB.54	54"	\$153	<ul style="list-style-type: none"> Anti-Sag bar, 54" wide with (10) screws. For use with 60 & 66" worktops
FWASB.66	66"	\$185	<ul style="list-style-type: none"> Anti-Sag bar, 66" wide with (12) screws. For use with 72 & 78" worktops

D-Shaped Freestanding Application

MY-HITE WORKSURFACES - FREESTANDING APPLICATION



DESCRIPTION

Laminate worksurface with 3mm PVC edge

NOTES

- Tops are intended for freestanding application
- See system pricebook for use inside a paneled workstation
- Add grommet cutout (add \$75 list). Specify grommet placement GC

SPECIFICATION OPTIONS

product #: see charts below
edge finish: see page 9
worksurface finish: see page 9

ORDER EXAMPLE

product #: FDAHT.2448
edge finish: E10 Espresso
worksurface finish: M11 Light Walnut
grommet location: GC
grommet color: Cloud White

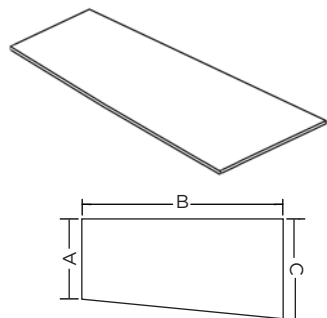
D-SHAPED

PART #	HEIGHT	A	B	C	D	PRICE
FDAHT.2448	1.25"	48"	24"	—	—	\$572
FDAHT.2460	1.25"	60"	24"	—	—	\$638
FDAHT.3048	1.25"	48"	30"	—	—	\$628
FDAHT.3060	1.25"	60"	30"	—	—	\$697
FDAHT.3072	1.25"	72"	30"	—	—	\$760
FDAHT.3672	1.25"	72"	36"	—	—	\$839

NOTES

- Sizes are actual - for example: FDAHT.2448 is 23 7/8" x 47 7/8"
- Not recommended in paneled workstation applications
- Topsize not reduced to eliminate pinch points

Wedge Freestanding Application



DESCRIPTION

Laminate worksurface with 3mm PVC edge

NOTES

- Tops are intended for freestanding application
- See system pricebook for use inside a paneled workstation
- Add grommet cutout (add \$75 list). Specify grommet placement GL, GC, GR

SPECIFICATION OPTIONS

product #: see charts below
edge finish: see page 9
worksurface finish: see page 9

ORDER EXAMPLE

product #: FWDAHT.244230
edge finish: E10 Espresso
worksurface finish: M11 Light Walnut
grommet location: PG5L-C
grommet color: Cloud White

**24"D LEFT
30"D RIGHT**

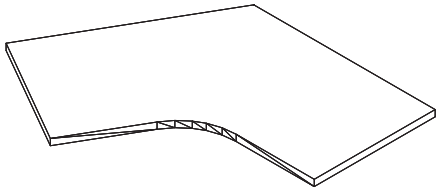
PART #	HEIGHT	A	B	C	D	PRICE	NOTES
FWDAHT.244230	1.25"	24"	42"	30"	—	\$444	<ul style="list-style-type: none"> • Sizes are actual - for example; FWDAHT-244230 is 23 7/8" x 41 7/8" x 29 7/8" • Not recommended in paneled workstation applications • Topsize not reduced to eliminate pinch points
FWDAHT.244830	1.25"	24"	48"	30"	—	\$452	
FWDAHT.245430	1.25"	24"	54"	30"	—	\$514	
FWDAHT.246030	1.25"	24"	60"	30"	—	\$550	
FWDAHT.246630	1.25"	24"	66"	30"	—	\$614	
FWDAHT.247230	1.25"	24"	72"	30"	—	\$628	
FWDAHT.247830	1.25"	24"	78"	30"	—	\$729	

**30"D LEFT
24"D RIGHT**

PART #	HEIGHT	A	B	C	D	PRICE
FWDAHT.304224	1.25"	30"	42"	24"	—	\$444
FWDAHT.304824	1.25"	30"	48"	24"	—	\$452
FWDAHT.305424	1.25"	30"	54"	24"	—	\$514
FWDAHT.306024	1.25"	30"	60"	24"	—	\$550
FWDAHT.306624	1.25"	30"	66"	24"	—	\$614
FWDAHT.307224	1.25"	30"	72"	24"	—	\$628
FWDAHT.307824	1.25"	30"	78"	24"	—	\$729

120° Corner / 90° Ends Freestanding Application

MY-HITE WORKSURFACES - FREESTANDING APPLICATION



DESCRIPTION

Laminate worksurface with 3mm PVC edge

NOTES

- Tops are intended for freestanding application
- See system pricebook for use inside a paneled workstation
- Add grommet cutout (add \$75 list). Specify grommet placement 120GL, 120GC, 120GR

SPECIFICATION OPTIONS

product #: see charts below
top, edge finish: see page 9
worksurface finish: see page 9

ORDER EXAMPLE

product #: F120AHT-90WS.2436
top, edge finish: E10 Espresso
worksurface finish: M11 Light Walnut
grommet location: 120GL
grommet color: Cloud White

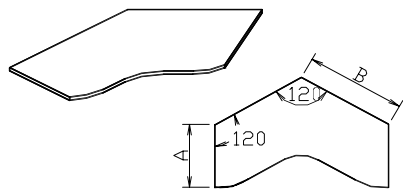
120° CORNER 90° ENDS

PART #	HEIGHT	A	B	C	D	PRICE
F120AHT-90WS.2436	1.25"	24"	36"	—	—	\$820
F120AHT-90WS.2442	1.25"	24"	42"	—	—	\$1,010
F120AHT-90WS.2448	1.25"	24"	48"	—	—	\$1,259

NOTES

- Sizes are actual - for example: „ F120AHT-90WS.2436 is 23 7/8 x 35 7/8”
- Not recommended in paneled workstation applications
- Topsize not reduced to eliminate pinch points

120° Corner / 120° Ends Freestanding Application



DESCRIPTION

Laminate worksurface with 3mm PVC edge

NOTES

- Tops are intended for freestanding application
- See system pricebook for use inside a paneled workstation
- Add grommet cutout (add \$75 list). Specify grommet placement 12OGL, 12OGC, 12OGR

SPECIFICATION OPTIONS

product #: see charts below
edge finish: see page 9
worksurface finish: see page 9

ORDER EXAMPLE

product #: F120AHT-120WS.2436
edge finish: E10 Espresso
worksurface finish: M11 Light Walnut
grommet location: 12OGC
grommet color: Cloud White

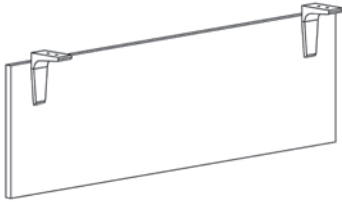
120° CORNER 120° ENDS

PART #	HEIGHT	A	B	C	D	PRICE
F120AHT-120WS.2436	1.25"	24"	36"	—	—	\$820
F120AHT-120WS.2442	1.25"	24"	42"	—	—	\$1,010
F120AHT-120WS.2448	1.25"	24"	48"	—	—	\$1,259

NOTES

- Sizes are actual - for example: F120AHT-120WS.2436 is 23 7/8" x 35 7/8"
- Not recommended in paneled workstation applications
- Topsize not reduced to eliminate pinch points

Modesty Panel, Laminate



DESCRIPTION

Laminate modesty panel with matching 2mm PVC edge

NOTES

- Actual modesty is shorter than the worktop to clear the My-Hite base.
- Example: FAHLMOD.1648 for use on 46"/48" width table, actual width is 40"

SPECIFICATION OPTIONS

product #: see charts below
Paint (Brackets) CW, BU, SV
Laminate (Modesty Panel) see page 9

ORDER EXAMPLE

product #: FAHLMOD.0860
paint: CW, Cloud White
laminate: M12, Medium Walnut

Laminate Modesty Panel

PART #	HEIGHT	WIDTH	LIST
FAHLMOD.0842	8"	34"	\$233
FAHLMOD.0848	8"	40"	\$241
FAHLMOD.0854	8"	46"	\$248
FAHLMOD.0860	8"	52"	\$367
FAHLMOD.0866	8"	58"	\$374
FAHLMOD.0872	8"	64"	\$382
FAHLMOD.0878	8"	70"	\$390

NOTES

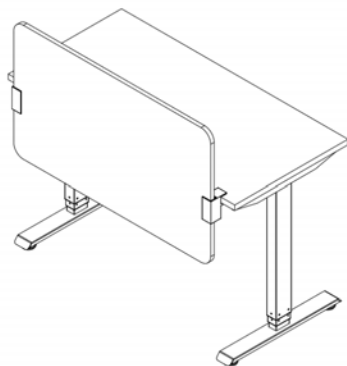
- Modesty panel will be shorter than top to clear the My-Hite base.

Example:

1. FSQAHT-2460 order FAHLMOD.1660 (actual width 52")
2. FIRWS.2370 (Interra pricebook) order FAHLMOD.1672 (actual width 64")

FAHLMOD.1642	16"	34"	\$287
FAHLMOD.1648	16"	40"	\$295
FAHLMOD.1654	16"	46"	\$302
FAHLMOD.1660	16"	52"	\$466
FAHLMOD.1666	16"	58"	\$472
FAHLMOD.1672	16"	64"	\$479
FAHLMOD.1678	16"	70"	\$488

Privacy Screen, Fabric



DESCRIPTION

Work Surface mounted fabric covered privacy screen

NOTES

- Fabric screen is non-tackable
- To use a wire manager on your My-Hite table with a fabric covered privacy screen, you must order "with gap".
- Actual screen is shorter than the worktop.
- Example: FPSFLUSH.2448 for use on 46"/48" width table, actual width of screen is 40".
- **Passage and Terrain fabric not approved for this application**

SPECIFICATION OPTIONS

product #: see charts below
Paint (Brackets): CW, BU, SV
fabric: see page 7 (Passage and Terrain fabric not approved for this application)

ORDER EXAMPLE

product #: FPSFLUSH.2448
brackets: SV, Silver
fabric: PF-101-2 Slide, Slate

Fabric Privacy Screen - Flush

Have grommet? Go flush

PART #	HEIGHT	WIDTH	LIST
FPSFLUSH.2442	24"	34"	\$651
FPSFLUSH.2448	24"	40"	\$704
FPSFLUSH.2454	24"	46"	\$758
FPSFLUSH.2460	24"	52"	\$814
FPSFLUSH.2466	24"	58"	\$870
FPSFLUSH.2472	24"	64"	\$925

NOTES

- Privacy screen sits flush with the back of the worktop.
- Privacy screen is 8" shorter than free standing top width and 6" shorter than a worksurface from a paneled system.
- Example:
- FSQAHT-2460 order FPSFLUSH.2460 (actual width 52")

Fabric Privacy Screen - with Wire Management Gap

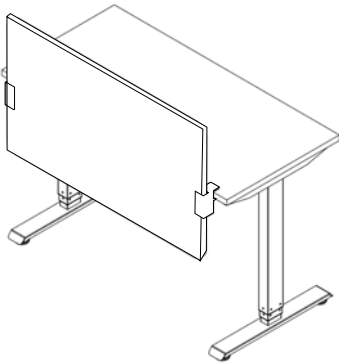
Need space between the screen and top? Add gap

PART #	HEIGHT	WIDTH	LIST
FPSGAP.2442	24"	34"	\$651
FPSGAP.2448	24"	40"	\$704
FPSGAP.2454	24"	46"	\$758
FPSGAP.2460	24"	52"	\$814
FPSGAP.2466	24"	58"	\$870
FPSGAP.2472	24"	64"	\$925

NOTES

- With 1" gap at back of worksurface for cord/wire management.
- Example:
1. FSQAHT-2460 order FPSGAP.2460 (actual width 52")
- Privacy screen sits flush with the back of the worktop.
 - Privacy screen is 8" shorter than free standing top width and 6" shorter than a worksurface from a paneled system.
- Example:
1. FSQAHT-2460 order FPSGAP.2460 (actual width 52")

Privacy Screen, Marker Board



DESCRIPTION

Work Surface mounted marker board privacy screen

NOTES

- To use a wire manager on your My-Hite table with a marker board privacy screen, you must order "with gap".
- Marker board screen is writable on both sides
- Actual screen is shorter than the worktop.
- Example: FMPSFLUSH.2448 for use on 46"/48" width table, actual width of screen is 40"

SPECIFICATION OPTIONS

product #: see charts below
Paint (Brackets): CW, BU, SV

ORDER EXAMPLE

product #: FMPSFLUSH.2448
brackets: SV, Silver

Marker Board Privacy Screen - Flush

Have grommet? Go flush

PART #	HEIGHT	WIDTH	LIST
FMPSFLUSH.2442	24"	34"	\$787
FMPSFLUSH.2448	24"	40"	\$901
FMPSFLUSH.2454	24"	46"	\$1,015
FMPSFLUSH.2460	24"	52"	\$1,131
FMPSFLUSH.2466	24"	58"	\$1,245
FMPSFLUSH.2472	24"	64"	\$1,360

NOTES

- Privacy screen sits flush with the back of the worktop.
- Privacy screen is 8" shorter than free standing top width and 6" shorter than a worksurface from a paneled system.

Example:

1. FSQAHT-2460 order FMPSFLUSH.2460 (actual width 52")

Marker Board Privacy Screen-with Wire Management Gap

Need space between the screen and top? Add gap

PART #	HEIGHT	WIDTH	LIST
FMPGAP.2442	24"	34"	\$787
FMPGAP.2448	24"	40"	\$901
FMPGAP.2454	24"	46"	\$1,015
FMPGAP.2460	24"	52"	\$1,131
FMPGAP.2466	24"	58"	\$1,245
FMPGAP.2472	24"	64"	\$1,360

NOTES

- With 1" gap at back of worksurface for cord/wire management.

Example:

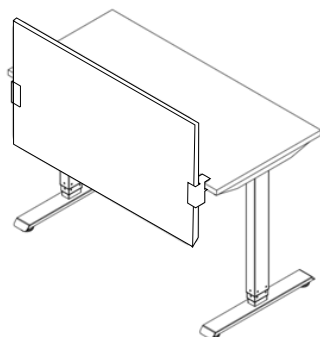
1. FSQAHT-2460 order FMPGAP.2460 (actual width 52")

- Privacy screen sits flush with the back of the worktop.
- Privacy screen is 8" shorter than free standing top width and 6" shorter than a worksurface from a paneled system.

Example:

1. FSQAHT-2460 order FMPGAP.2460 (actual width 52")

Privacy Screen, Laminate



DESCRIPTION

Work Surface mounted laminate privacy screen

NOTES

- To use a wire manager on your My-Hite table with a laminate privacy screen, you must order "with gap".
- Actual screen is shorter than the worktop.

SPECIFICATION OPTIONS

product #: see charts below
Paint (Brackets): CW, BU, SV
finish: see page 9

ORDER EXAMPLE

product #: FPSFLUSH.2454
brackets: SV, Silver

Laminate Privacy Screen - Flush

Have grommet? Go flush

PART #	HEIGHT	WIDTH	LIST
FLPSFLUSH.2442	24"	34"	\$423
FLPSFLUSH.2448	24"	40"	\$472
FLPSFLUSH.2454	24"	46"	\$519
FLPSFLUSH.2460	24"	52"	\$566
FLPSFLUSH.2466	24"	58"	\$614
FLPSFLUSH.2472	24"	64"	\$661

NOTES

- Privacy screen sits flush with the back of the worktop.
- Privacy screen is 8" shorter than free standing top width and 6" shorter than a worksurface from a paneled system.

Example:

1. FSQAHT-2460 order FPSFLUSH.2460 (actual width 52")

Laminate Privacy Screen - with Wire Management Gap

Need space between the screen and top? Add gap

PART #	HEIGHT	WIDTH	LIST
FLPSGAP.2442	24"	34"	\$423
FLPSGAP.2448	24"	40"	\$472
FLPSGAP.2454	24"	46"	\$519
FLPSGAP.2460	24"	52"	\$566
FLPSGAP.2466	24"	58"	\$614
FLPSGAP.2472	24"	64"	\$661

NOTES

- With 1" gap at back of worksurface for cord/wire management.

Example:

1. FSQAHT-2460 order FPSGAP.2460 (actual width 52")

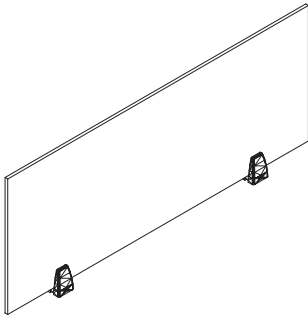
- Privacy screen sits flush with the back of the worktop.

- Privacy screen is 8" shorter than free standing top width and 6" shorter than a worksurface from a paneled system.

Example:

1. FSQAHT-2460 order FLPSGAP.2460 (actual width 52")

Worksurface Mounted Screens, Clear



DESCRIPTION

Surface mounted glass screens, including hardware.

NOTES

- Includes: (2) supporting brackets for screens up to 48"W, (3) supporting brackets for screens 54"W and wider.
- Mounts to any laminate/veneer worksurface top.

SPECIFICATION OPTIONS

product #: see charts below
Paint (Brackets) CW, BU, SV

ORDER EXAMPLE

product #: FWSMG.0824-CL
paint: SV Silver

PRIVACY SCREENS

Glass Screens, Clear 8" HIGH

PART #	HEIGHT	WIDTH	LIST
FWSMG.0824-CL	8"	24"	\$184
FWSMG.0830-CL	8"	30"	\$199
FWSMG.0836-CL	8"	36"	\$215
FWSMG.0842-CL	8"	42"	\$230
FWSMG.0848-CL	8"	48"	\$244
FWSMG.0854-CL	8"	54"	\$321
FWSMG.0860-CL	8"	60"	\$336
FWSMG.0866-CL	8"	66"	\$351
FWSMG.0872-CL	8"	72"	\$365

NOTES

- Screen mounts to any laminate/veneer worksurface top

Glass Screens, Clear 14" HIGH

PART #	HEIGHT	WIDTH	LIST
FWSMG.1424-CL	14"	24"	\$231
FWSMG.1430-CL	14"	30"	\$256
FWSMG.1436-CL	14"	36"	\$280
FWSMG.1442-CL	14"	42"	\$304
FWSMG.1448-CL	14"	48"	\$332
FWSMG.1454-CL	14"	54"	\$418
FWSMG.1460-CL	14"	60"	\$441
FWSMG.1466-CL	14"	66"	\$464
FWSMG.1472-CL	14"	72"	\$486

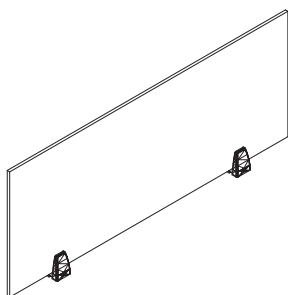
NOTES

- Screen mounts to any laminate/veneer worksurface top

Glass Screens, Clear 15" HIGH

PART #	HEIGHT	WIDTH	LIST
FWSMG.1522-CL	15"	22"	\$315
FWSMG.1528-CL	15"	28"	\$336

Worksurface Mounted Screens, Frosted



DESCRIPTION

Surface mounted glass screens, including hardware

SPECIFICATION OPTIONS

product #: see charts below
Paint (Brackets) CW, BU, SV

NOTES

- Includes: (2) supporting brackets for screens up to 48"W, (3) supporting brackets for screens 54"W and wider.
- Mounts to any laminate/veneer worksurface top.

ORDER EXAMPLE

product #: FWSMG.0824-FR
paint: SV Silver

Glass Screens, Frosted 8" HIGH

PART #	HEIGHT	WIDTH	LIST
FWSMG.0824-FR	8"	24"	\$257
FWSMG.0830-FR	8"	30"	\$291
FWSMG.0836-FR	8"	36"	\$325
FWSMG.0842-FR	8"	42"	\$361
FWSMG.0848-FR	8"	48"	\$395
FWSMG.0854-FR	8"	54"	\$461
FWSMG.0860-FR	8"	60"	\$474
FWSMG.0866-FR	8"	66"	\$486
FWSMG.0872-FR	8"	72"	\$500

NOTES

- Screen mounts to any laminate/veneer worksurface top

Glass Screens, Frosted 14" HIGH

PART #	HEIGHT	WIDTH	LIST
FWSMG.1424-FR	14"	24"	\$360
FWSMG.1430-FR	14"	30"	\$419
FWSMG.1436-FR	14"	36"	\$479
FWSMG.1442-FR	14"	42"	\$534
FWSMG.1448-FR	14"	48"	\$597
FWSMG.1454-FR	14"	54"	\$665
FWSMG.1460-FR	14"	60"	\$715
FWSMG.1466-FR	14"	66"	\$765
FWSMG.1472-FR	14"	72"	\$816

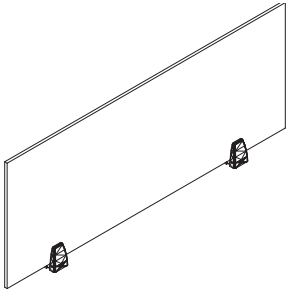
NOTES

- Screen mounts to any laminate/veneer worksurface top

Glass Screens, Frosted 15" HIGH

PART #	HEIGHT	WIDTH	LIST
FWSMG.1522-FR	15"	22"	\$438
FWSMG.1528-FR	15"	28"	\$491

Worksurface Mounted Screens, Fabric



DESCRIPTION

Surface mounted fabric screens, including hardware

NOTES

- Includes: (2) supporting brackets for screens up to 48"W, (3) supporting brackets for screens 54"W and wider.
- Mounts to any laminate/veneer worksurface top.
- **Passage and Terrain fabric not approved for this application**

SPECIFICATION OPTIONS

product #: see charts below
Paint (Brackets) CW, BU, SV
fabric: see page 7 (Passage and Terrain fabric not approved for this application)

ORDER EXAMPLE

product #: FWSMTK.1424
paint: SV Silver
fabric: PF-101-2 Slide, Slate

Fabric Screens, 14" HIGH

PART #	HEIGHT	WIDTH	LIST
FWSMTK.1424	14"	24"	\$329
FWSMTK.1430	14"	30"	\$345
FWSMTK.1436	14"	36"	\$414
FWSMTK.1442	14"	42"	\$414
FWSMTK.1448	14"	48"	\$480
FWSMTK.1454	14"	54"	\$584
FWSMTK.1460	14"	60"	\$617
FWSMTK.1466	14"	66"	\$617
FWSMTK.1472	14"	72"	\$651

NOTES

- Screen mounts to any laminate/veneer worksurface top

Fabric Screens, 14" HIGH

PART #	HEIGHT	WIDTH	LIST
FWSMTK.1422	14"	22"	\$329
FWSMTK.1428	14"	28"	\$345

NOTES

- Screen mounts to any laminate/veneer worksurface top

Fabric Screens, 24" HIGH

PART #	HEIGHT	WIDTH	LIST
FWSMTK.2424	24"	24"	\$667
FWSMTK.2430	24"	30"	\$700
FWSMTK.2436	24"	36"	\$818
FWSMTK.2442	24"	42"	\$854
FWSMTK.2448	24"	48"	\$952
FWSMTK.2454	24"	54"	\$1,093
FWSMTK.2460	24"	60"	\$1,192
FWSMTK.2466	24"	66"	\$1,205
FWSMTK.2472	24"	72"	\$1,303

NOTES

- Screen mounts to any laminate/veneer worksurface top

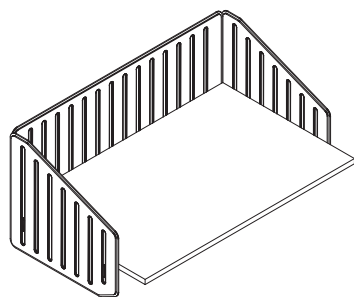
Fabric Screens, 24" HIGH

PART #	HEIGHT	WIDTH	LIST
FWSMTK.2422	24"	22"	\$663
FWSMTK.2428	24"	28"	\$696

NOTES

- Screen mounts to any laminate/veneer worksurface top

Flyp Screens



(3) Screens shown

DESCRIPTION

Surface mounted PET screens, including hardware

NOTES

- Screens sold individually
- Includes: (2) supporting brackets per screen
- Mounts to the underside of any laminate/veneer worksurface
- Screens can extend above or below worksurface
- Screen color is Sesame Black only
- Mounting hardware is Cool Grey
- Note actual widths of screens below

SPECIFICATION OPTIONS

product #: see charts below

ORDER EXAMPLE

product #: FPSFLYP.2258

Flyp Screen

PART #	HEIGHT	WIDTH	LIST
FPSFLYP.2246	22"	46"	\$537
FPSFLYP.2258	22"	58"	\$749
FPSFLYP.2270	22"	70"	\$821

NOTES

- Screen mounts to the underside of any laminate/veneer worksurface

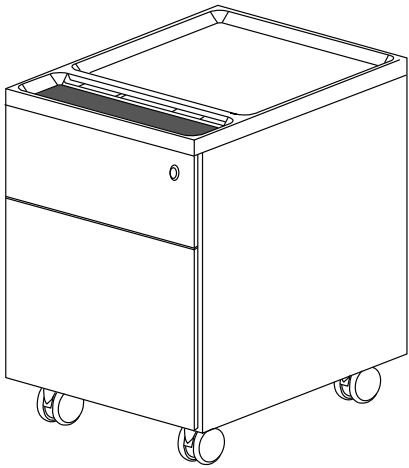
Flyp Side Screen

PART #	HEIGHT	WIDTH	LIST
FPSFLYP.2224	22"	23.5"	\$390

NOTES

- Screen mounts to the underside of any laminate/veneer worksurface

Mobile Pedestal



DESCRIPTION

Box/File mobile pedestal with lock and matching color top

SPECIFICATION OPTIONS

product #: FBFPED.MOB
finish: CW, BU, SV
foam color (if applicable): Charcoal, Café, Grey, and Red

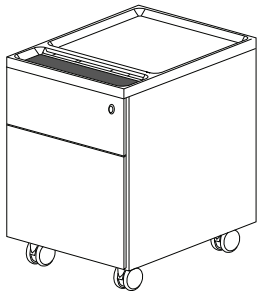
NOTES

- Optional Foam cushion available
- Optional different color top available
- Foam cushion is available in 6 colors
- Key-alike available
- Changeable colored top available

ORDER EXAMPLE

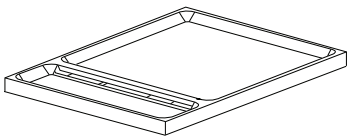
Pedestal:
product #: FBFPED.MOB
finish: SV Silver
Cushion:
product #: FBFPED.CUSH
finish: Charcoal

MOBILE PEDESTAL



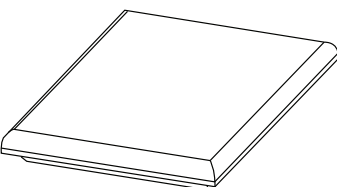
PART #	HEIGHT	WIDTH	DEPTH	WT. (LBS)	PRICE	NOTES
FBFPED.MOB	21.5"	15"	19 3/4"		\$761	<ul style="list-style-type: none"> • Finish options: SV Silver, CW Cloud White and BU Black Umber

COLOR PEDESTAL TOP



PART #	HEIGHT	WIDTH	DEPTH	PRICE	NOTES
FBFPED.PT				\$95	<ul style="list-style-type: none"> • Color options: Green, Blue, and Red • Please select color when ordering

FOAM CUSHION



PART #	HEIGHT	WIDTH	DEPTH	WT. (LBS)	PRICE	NOTES
FBFPED.CUSH					\$159	<ul style="list-style-type: none"> • Color options: Charcoal, Café, Grey, and Red • Please select color when ordering • Cushion is made of foam and not fabric covered

Keyed Alike

DESCRIPTION

Keys for My-Hite pedestal

SPECIFICATION OPTIONS

product #: see charts below

ORDER EXAMPLE

product #: METAL1 -FMK

PART #	DESCRIPTION	PRICE	NOTES
METAL1-KEY-ALIKE-4	Lock Core Keyed-Alike (set of 4) - Type 1 Metal Storage	\$192	<ul style="list-style-type: none"> All Friant Pedestals, Lateral Files, and Overhead Cabinets can be keyed-alike Keyed-Alike Lock Cores are sold in sets of 4 or 6). Each set includes four Lock Cores, each with two keys, all with the same lock number. Lock core removal/change keys will need to be ordered separately. Additional Lock Core Removal Keys and Master Keys are available.
METAL1-KEY-ALIKE-6	Lock Core Keyed-Alike (set of 6) - Type 1 Metal Storage	\$289	
METAL1-FCK	Lock Core Change Key - Type 1 Metal Storage	\$28	
METAL1-FMK	Lock Core Master Key - Type 1 Metal Storage	\$28	
METAL1-KEYBLANK	Key Blank - Type 1 Metal Storage	\$4	

Monitor Arms

SINGLE MONITOR ARM



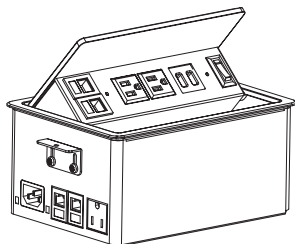
PART #	LIST	NOTES
FMA-S	\$688	<ul style="list-style-type: none"> CW, SV, BU Finish Includes attachment hardware for clamp, grommet and Verity track mount. Includes (2) USB ports, 6' cords

DUAL MONITOR ARM



PART #	LIST	NOTES
FMA-D	\$982	<ul style="list-style-type: none"> CW, SV, BU Finish Includes attachment hardware for clamp, grommet and Verity track mount. Includes (2) USB ports, 6' cords

Power Grommet Worksurface Mounted



DESCRIPTION

Worksurface mounted power/data grommet

SPECIFICATION OPTIONS

product #: see charts below
finish: BA Brushed Aluminum, BC Brushed Charcoal or CW Cloud White (contact customer success for lead time)

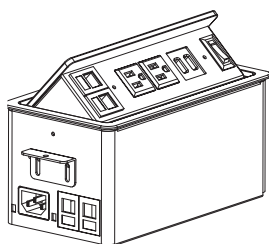
NOTES

- Includes 10' coiled power cord to connect to power source, or daisy chain to next power grommet

ORDER EXAMPLE

product #: FPWR.0608
finish: BA Brushed Aluminum

POWER GROMMET, 5x8

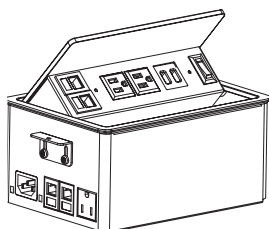


PART #	HEIGHT	WIDTH	DEPTH	PRICE
FPWR.0508		8"	5"	\$761

NOTES

- Worksurface mounted power/data grommet, 5x8
- Includes 10' coiled power cord to connect to power source
- Distributes up to 10 amps
- Above Worksurface:** (2) CAT6 data ports (out), (2) power outlets, (2) USB ports
- Below Worksurface:** (2) CAT6 data ports (in), (1) power outlet, Daisy Chain ports (in/out)

POWER GROMMET, 6x8



PART #	HEIGHT	WIDTH	DEPTH	PRICE
FPWR.0608		8"	6"	\$761

NOTES

- Worksurface mounted power/data grommet, 6x8
- Includes 10' coiled power cord to connect to power source
- Distributes up to 10 amps
- Above Worksurface:** (2) CAT6 data ports (out), (2) power outlets, (2) USB ports
- Below Worksurface:** (2) CAT6 data ports (in), (2) power outlets, Daisy Chain ports (in/out)

Power Distribution

DESCRIPTION

Workstation accessories.

SPECIFICATION OPTIONS

product #: see charts below
finish: CW Cloud White, DT Dark Tone, MT Medium Tone

ORDER EXAMPLE

product #: FTB.24
finish: CW

SINGLE CIRCUIT INFEED



PART #

FD-BPI.1CIR

PRICE

\$113

NOTES

- Plug-in power infeed for use with table power distribution
- 8' cord

TABLE POWER DISTRIBUTION



PART #

FD-SFC-306-4A

\$99

NOTES

- Use with single circuit infeed (FD-BPI.1CIR)
- Power strip to attaches to the underside of tabletops.

DAISY CHAIN POWER CONNECTOR



PART #

FD-DCI.1CIR

PRICE

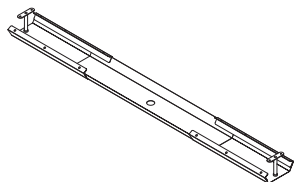
\$113

NOTES

- Connects adjacent table power distribution 8' cord

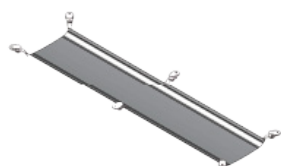
Accessories

WIRE MANAGER



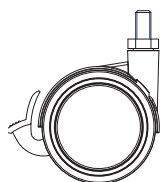
PART #	HEIGHT	WIDTH	DEPTH	LIST	NOTES
FMHWM	1 7/8"	32"- 59"	6"	\$103	<ul style="list-style-type: none"> Wire manager covers user's wiring (i.e.: computer, phone, etc.); adjustable width To use a wire manager on your My-Hite table with fabric covered privacy screen you must order "with gap". Wire manager telescopes from 32"- 59" Includes T-Support post with height of 3 1/4" Specify finish: CW, BU or SV

MESH WIRE MANAGER



PART #	LENGTH	PRICE	NOTES
FFWM.18	18"	\$159	<ul style="list-style-type: none"> Wire manager mounts to the bottom of a worksurface to manage cords Finish: Black with red zipper
FFWM.34	34"	\$159	

CASTERS



PART #		LIST	NOTES
FMHCS-3.4	Casters for 3-Stage Straight Bases (4 locking casters included)	\$191	<ul style="list-style-type: none"> Order 4 casters for rectangle base and 6 casters for corner base
FMHCS-3.6	Casters for 3-Stage Corner Bases (6 locking casters included)	\$191	<ul style="list-style-type: none"> Height of table is increased by 2" and will not be reflected on the display height
FMHCS-2.4	Casters for 2-Stage Straight Bases (4 locking casters included)	\$191	<ul style="list-style-type: none"> Casters are installed in the field
FMHCS-2.6	Casters for 2-Stage Corner Bases (6 locking casters included)	\$191	<ul style="list-style-type: none"> Casters are dark grey

CONVERSION KIT 3 STAGE BASE

PART #	LIST	NOTES
FCNAHT.3.24.CONVERSION	\$1,441	<ul style="list-style-type: none"> Kit of parts to convert an existing 2 leg base to a 3 leg base, 3 stage base only FCNAHT.3.24.CONVERSION is for T-Leg 3 Stage base FCNAHC.3.24.CONVERSION is for C-Leg 3 Stage base
FCNAHC.3.24.CONVERSION	\$1,441	

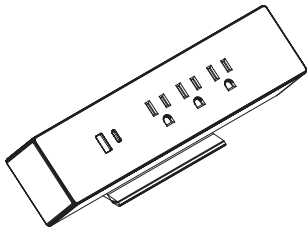
Accessories Continued

DESK MOUNTED POWER UNIT - CLAMP



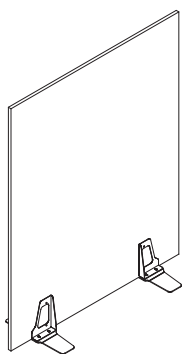
PART #	PRICE	NOTES
FPWR.DM	\$454	<ul style="list-style-type: none"> • Power unit clamps onto surface • The power cord comes attached to the unit. The cord measures approximately 6 ft in length. • Includes 3 plugs and 2 USB-A ports • Distributes up to 10 amps • finish: available in BU and CW

DESK MOUNTED POWER UNIT - ADHESIVE



PART #	PRICE	NOTES
FPWR.DM-2	\$454	<ul style="list-style-type: none"> • Power unit attaches to surface with adhesive • The power cord comes attached to the unit. The cord measures approximately 6 ft in length. • Includes 3 plugs, 1 USB-C and 1 USB-A port • Distributes up to 10 amps • finish: available in BU and CW

SHIELD Freestanding Laminate Panel Feet



DESCRIPTION

Freestanding laminate panel with feet.

NOTES

- Dimensions are actual
- Laminate is 3/4" thick
- Painted metal feet in Cloud White

SPECIFICATION OPTIONS

product #: see charts below
surface finish: see page 9

ORDER EXAMPLE

product #: FZFS.4853
surface finish: M10 Espresso

45" HIGH

PART #	HEIGHT	WIDTH	LIST
FZFS.3045	45"	30"	\$1,214
FZFS.3645	45"	36"	\$1,296
FZFS.4245	45"	42"	\$1,378
FZFS.4845	45"	48"	\$1,458

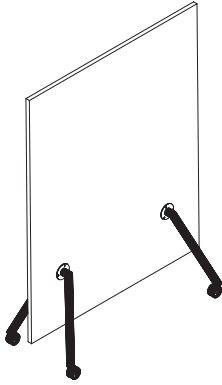
53" HIGH

PART #	HEIGHT	WIDTH	LIST
FZFS.3053	53"	30"	\$1,288
FZFS.3653	53"	36"	\$1,383
FZFS.4253	53"	42"	\$1,478
FZFS.4853	53"	48"	\$1,574

60" HIGH

PART #	HEIGHT	WIDTH	LIST
FZFS.3060	60"	30"	\$1,352
FZFS.3660	60"	36"	\$1,513
FZFS.4260	60"	42"	\$1,621
FZFS.4860	60"	48"	\$1,728

SHIELD Freestanding Laminate Panel Casters



DESCRIPTION

Freestanding laminate panel with casters.

NOTES

- Dimensions are actual
- Laminate is 3/4" thick
- Legs are cloud white, casters are white
- Includes 4 locking casters

SPECIFICATION OPTIONS

product #: see charts below
surface finish: see page 9

ORDER EXAMPLE

product #: FZFSMOB.4845
surface finish: M10 Espresso

45" HIGH

PART #	HEIGHT	WIDTH	LIST
FZFSMOB.4245	45"	42"	\$1,560
FZFSMOB.4845	45"	48"	\$1,642

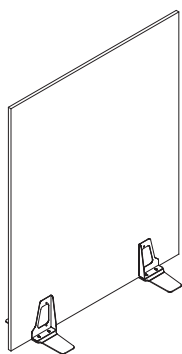
53" HIGH

PART #	HEIGHT	WIDTH	LIST
FZFSMOB.4253	53"	42"	\$1,662
FZFSMOB.4853	53"	48"	\$1,756

60" HIGH

PART #	HEIGHT	WIDTH	LIST
FZFSMOB.4260	60"	42"	\$1,752
FZFSMOB.4860	60"	48"	\$1,859

SHIELD Freestanding Markerboard Panel Feet



DESCRIPTION

Freestanding markerboard panel with feet.

SPECIFICATION OPTIONS

product #: see charts below

NOTES

- Dimensions are actual
- Markerboard is 3/4" thick
- Painted metal feet in Cloud White

ORDER EXAMPLE

product #: FZFMBS.4853

45" HIGH

PART #	HEIGHT	WIDTH	LIST
FZFMBS.3045	45"	30"	\$1,915
FZFMBS.3645	45"	36"	\$2,136
FZFMBS.4245	45"	42"	\$2,359
FZFMBS.4845	45"	48"	\$2,579

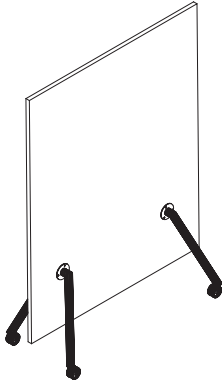
53" HIGH

PART #	HEIGHT	WIDTH	LIST
FZFMBS.3053	53"	30"	\$2,112
FZFMBS.3653	53"	36"	\$2,373
FZFMBS.4253	53"	42"	\$2,634
FZFMBS.4853	53"	48"	\$2,894

60" HIGH

PART #	HEIGHT	WIDTH	LIST
FZFMBS.3060	60"	30"	\$2,286
FZFMBS.3660	60"	36"	\$2,634
FZFMBS.4260	60"	42"	\$2,930
FZFMBS.4860	60"	48"	\$3,224

SHIELD Freestanding Markerboard Panel Casters



DESCRIPTION

Freestanding markerboard panel with casters.

NOTES

- Dimensions are actual
- Markerboard is 3/4" thick
- Legs are cloud white, casters are white
- Includes 4 locking casters

SPECIFICATION OPTIONS

product #: see charts below

ORDER EXAMPLE

product #: FZFMBSMOB.4845

45" HIGH

PART #	HEIGHT	WIDTH	LIST
FZFMBSMOB.4245	45"	42"	\$2,540
FZFMBSMOB.4845	45"	48"	\$2,763

53" HIGH

PART #	HEIGHT	WIDTH	LIST
FZFMBSMOB.4253	53"	42"	\$2,817
FZFMBSMOB.4853	53"	48"	\$3,078

60" HIGH

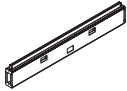
PART #	HEIGHT	WIDTH	LIST
FZFMBSMOB.4260	60"	42"	\$3,059
FZFMBSMOB.4860	60"	48"	\$3,352

BEAM

How to Order Beam

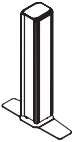
1 Select a Beam Package

- Beam package with screen support
or
- Beam package without screen support

Choose	Specify Part #	Description	Specify Finish
	FB-BEAM-36A-E	Beam package with screen support	Silver

2 Specify End of Run Posts

- End of Run post for each end of run (Quantity (2) total each run)

Choose	Specify Part # (Quantity 2)	Description
	FB-POSTEND	End of run post

3 Specify Support Posts


- Inline post for each package to package location (Quantity depends on length of run)
- 3 or 4 way post if applicable

Choose	Specify Part # (Quantity TBD)	Description
	FB-POST180-X-D	Support post used in middle of run


4 Specify Electrical

Options include:

- Select either base feed or power pole (power pole at End of Run only - base feed at any post)
- Specify duplexes - Circuit 1-4 ((2) duplexes per side - **except 36"** which is (1) duplex per side)
- Add data port
(FBDPP - less than 20 CAT 6 cables)
(FHDPP - more than 20 CAT 6 cables)

Choose	Specify Part #
	FB-BPE

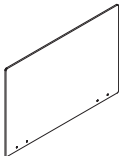
Choose	Specify Part #
Duplex	FIRECP4.I

Choose	Specify Part #
	FBDPP

5 Specify Beam Mounted Screen (if applicable)

Options include:

- Clear glass
- Frosted glass
- Fabric covered

Choose	Specify Part #	Material
	FB-GLS2436-FR	FROSTED GLASS

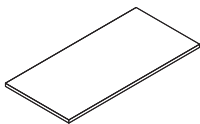
6 Specify My-Hite Base

Choose	Specify Part #
	FSQAHBT-24-3

7 Specify My-Hite Top for Beam Application



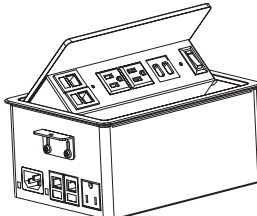
Options include:

- Tops range from 40" to 76"

Choose	Specify Part #	Specify Finish
	FBRWS.XXXX	M28 Arctic

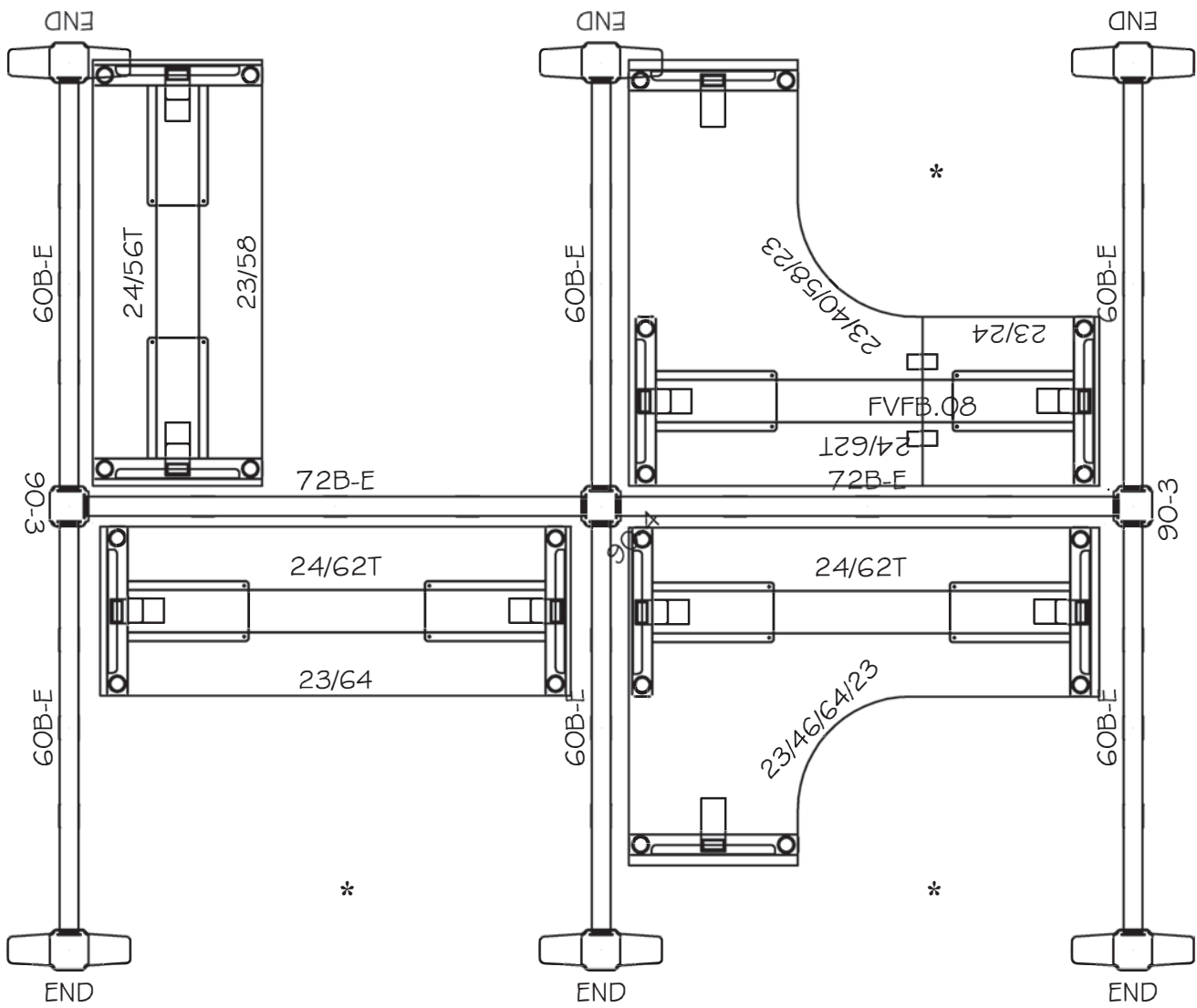
8 Select additional items to complete your system

Options include:

Monitor Arms	Mobile Pedestal	Power Grommet
		

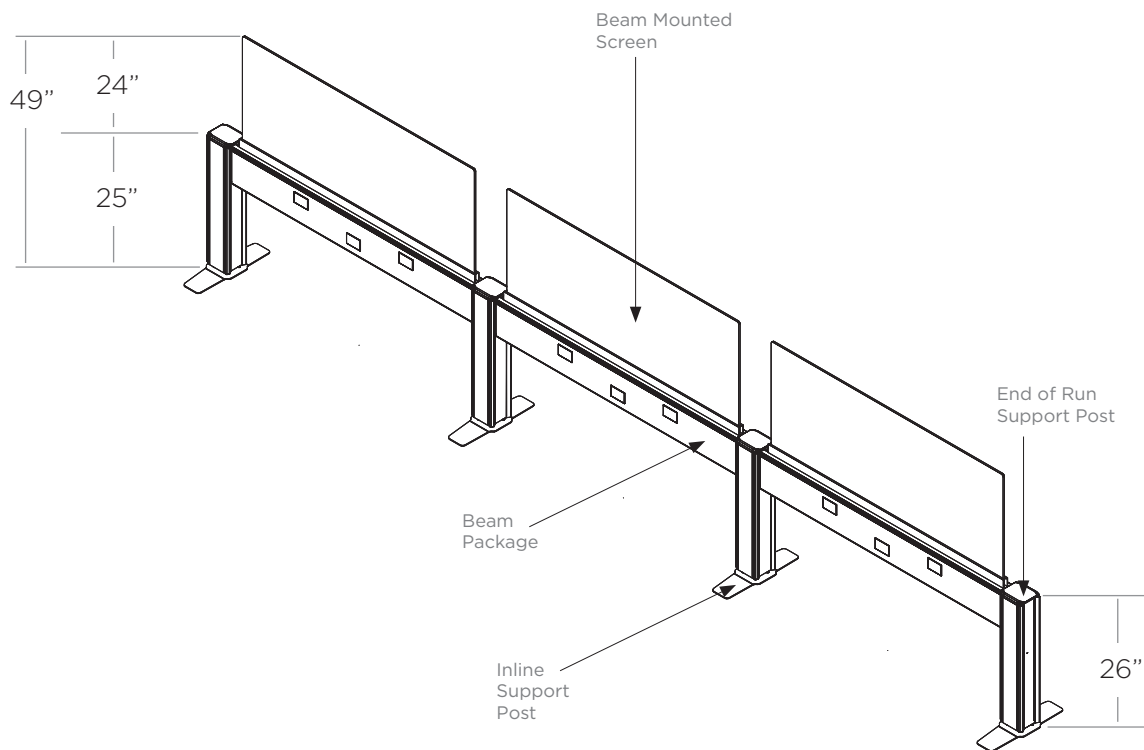
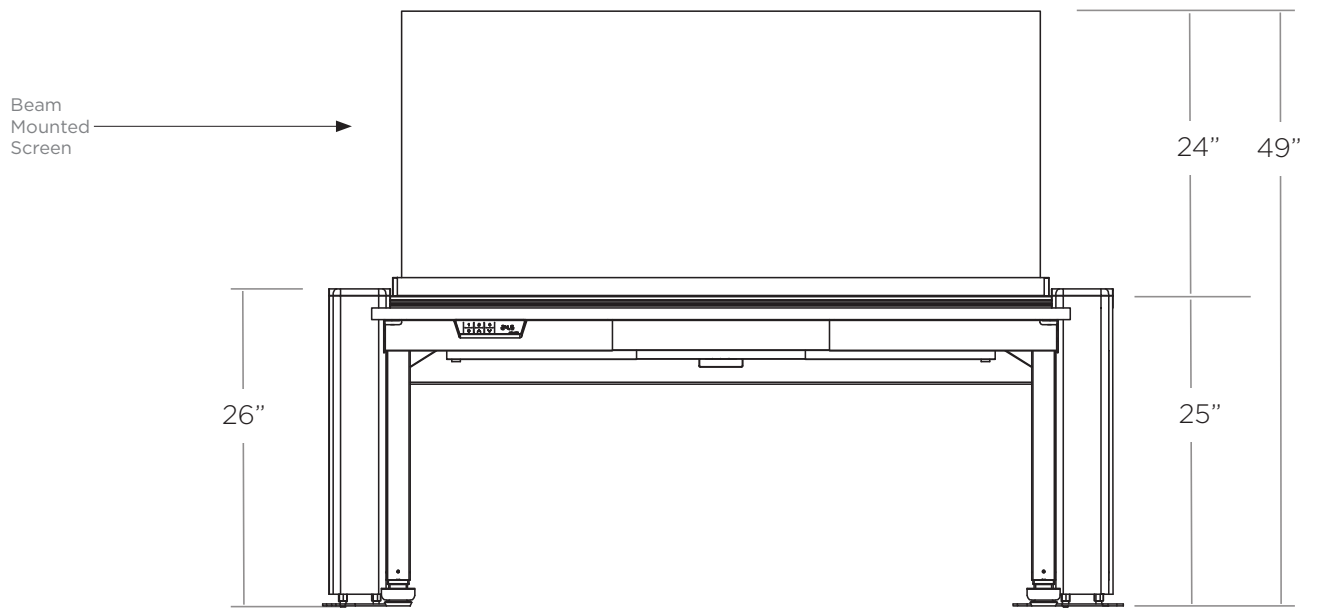
Worksurface Planning Guide

SPECIFY BEAM



* When worksurface is wrapped by Beam on 3 sides, width must be reduced one full size. For example: 70" worksurface becomes a 64"

Beam Elevation Height



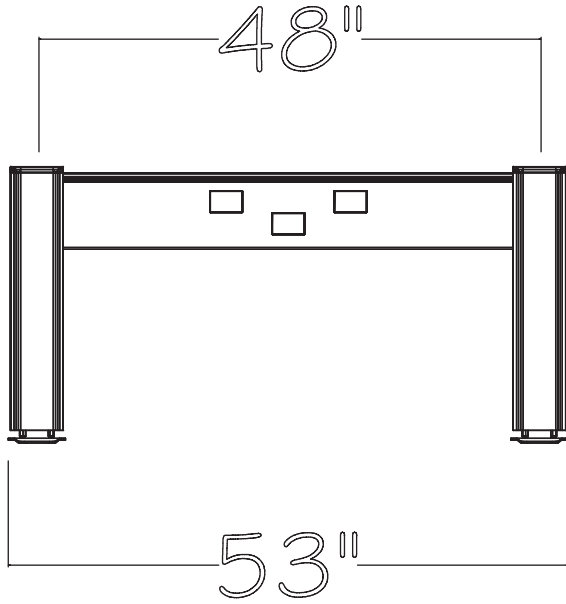
SPECIFY BEAM

Beam Creep

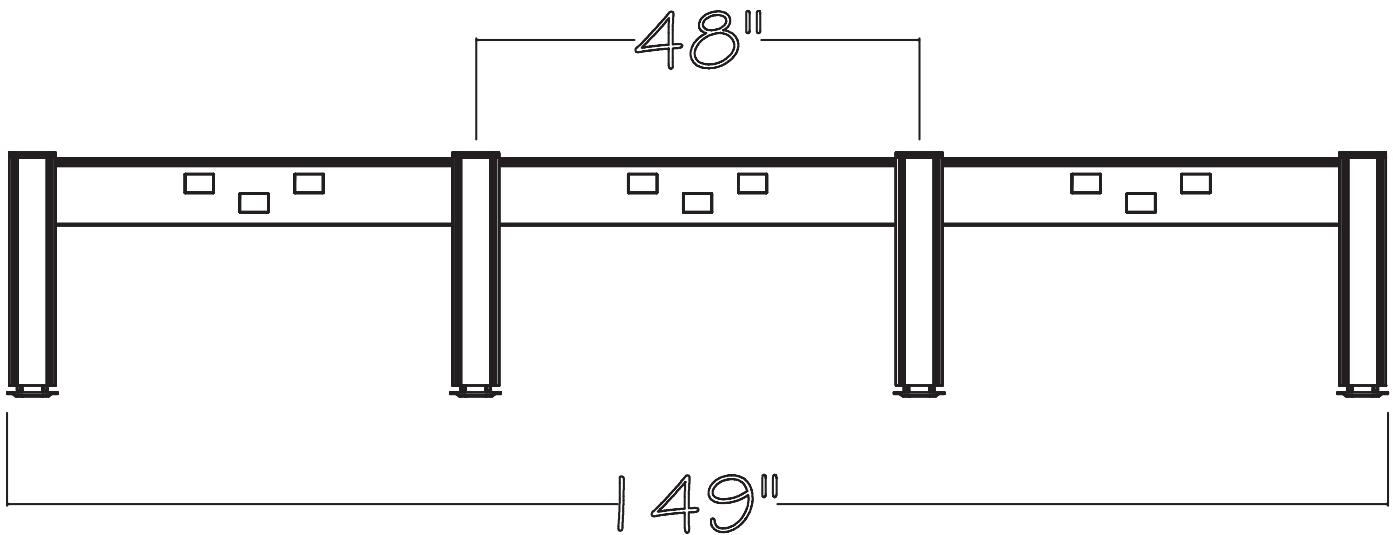
Beam width is measured from center of Post to center of Post. Because of this, creep will be consistent, no matter the size of the beam packages, or the quantity of posts in the run.

Beam creep will be an additional 5" overall per run.

Examples below are FB-BEAM-48B-E Beam Packages, 48"W



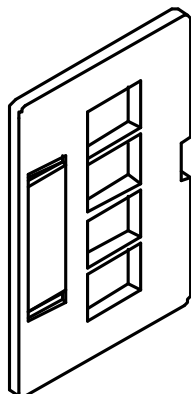
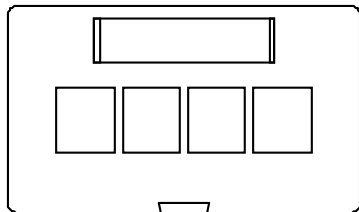
Single Station



Three Station

SPECIFY BEAM

Data Port Plate



Product Description

PART #: FBDPP, FHDPP

This Data Port Faceplate is field configurable, flush-mounted onto the Panel Base Kickplate, and provides 1 to 4 flush-mount ports for a variety of snap-in connectors and adaptors.

Product Notes

- Installation and changes can be made without removing the Panel Base Kickplate
- Plates can be installed and removed without any tools
- Window ID provided with each Data Port Plate
- Release latch provides easy access to connections without any tools
- Blank inserts included with each Data Port Plate

Dimensions

PART #: FBDPP,

HEIGHT: 2¹/₈"

WIDTH: 3⁵/₈"

DEPTH: 0.25" (from face of Panel Base Kickplate)

MATERIAL: High impact plastic

PART #: FHDPP,

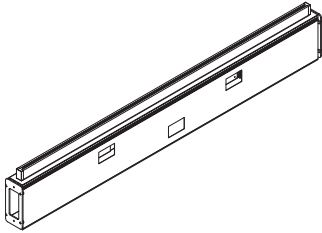
HEIGHT: 2¹/₈"

WIDTH: 3⁵/₈"

DEPTH: 0.75" (from face of Panel Base Kickplate)

MATERIAL: High impact plastic

Beam Package With power & data cutouts



INCLUDES: Beam, Top cap & Base covers with power & data cutouts

DESCRIPTION

Beam package distributes power and data

NOTES

- Order data port plates separately
- All widths provide locations for duplexes; (2) on each side, (4) total per beam except 36": (1) duplex each side, (2) total per beam
- (1) Festoon included in package
- Order support posts separately
- Order infeed separately
- Order duplexes separately
- Order Data Port Plate separately

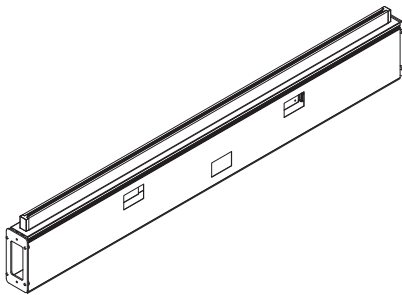
SPECIFICATION OPTIONS

product #: see charts below
finish: CW, BU, SV,

ORDER EXAMPLE

description: Beam package with screen support
product #: FB-BEAM-36A-E
finish: Silver SV

BEAM PACKAGE WITH SCREEN SUPPORT

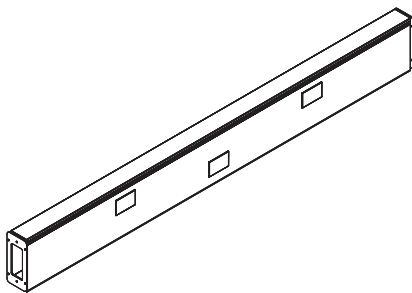


PART #	WIDTH	DEPTH	LIST
FB-BEAM-36A-E	36"	-	\$660
FB-BEAM-42A-E	42"	-	\$726
FB-BEAM-48A-E	48"	-	\$833
FB-BEAM-54A-E	54"	-	\$909
FB-BEAM-60A-E	60"	-	\$1,015
FB-BEAM-66A-E	66"	-	\$1,140
FB-BEAM-72A-E	72"	-	\$1,220

NOTES

- Powered data base covers included
- Non-powered base covers available separately, page 88
- Order screens separately

BEAM PACKAGE WITHOUT SCREEN SUPPORT



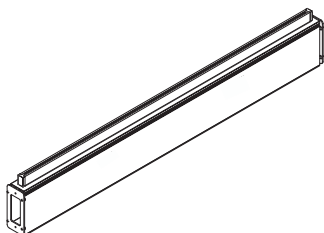
PART #	WIDTH	DEPTH	LIST
FB-BEAM-36B-E	36"	-	\$603
FB-BEAM-42B-E	42"	-	\$661
FB-BEAM-48B-E	48"	-	\$760
FB-BEAM-54B-E	54"	-	\$828
FB-BEAM-60B-E	60"	-	\$920
FB-BEAM-66B-E	66"	-	\$1,040
FB-BEAM-72B-E	72"	-	\$1,108

NOTES

- Powered data base covers included
- Non-powered base covers available separately, page 88

SPECIFY BEAM

Beam Package Without cutouts



DESCRIPTION

Beam package without cutout

SPECIFICATION OPTIONS

product #: see charts below
finish: SV, BU, CW

NOTES

- (1) Festoon included in package
- Order support posts separately
- Order infeed separately

ORDER EXAMPLE

description: Beam package with screen support

product #: FB-BEAM-72B-E.NC
finish: Silver SV

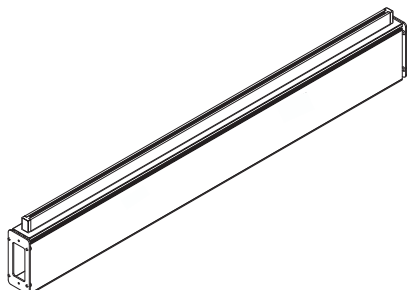
INCLUDES: Beam, Top cap & Base covers without power & data cutouts

BEAM PACKAGE WITHOUT SCREEN SUPPORT



PART #	WIDTH	DEPTH	LIST	NOTES
FB-BEAM-36B-E.NC	36"	-	\$597	• Non-powered data base covers included
FB-BEAM-42B-E.NC	42"	-	\$656	
FB-BEAM-48B-E.NC	48"	-	\$753	
FB-BEAM-54B-E.NC	54"	-	\$821	
FB-BEAM-60B-E.NC	60"	-	\$914	
FB-BEAM-66B-E.NC	66"	-	\$1,035	
FB-BEAM-72B-E.NC	72"	-	\$1,103	

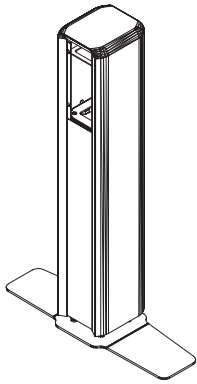
BEAM PACKAGE WITH SCREEN SUPPORT



PART #	WIDTH	DEPTH	LIST	NOTES
FB-BEAM-36A-E.NC	36"	-	\$655	• Non-powered data base covers included. • Order screens separately
FB-BEAM-42A-E.NC	42"	-	\$722	
FB-BEAM-48A-E.NC	48"	-	\$828	
FB-BEAM-54A-E.NC	54"	-	\$902	
FB-BEAM-60A-E.NC	60"	-	\$1,010	
FB-BEAM-66A-E.NC	66"	-	\$1,134	
FB-BEAM-72A-E.NC	72"	-	\$1,215	

SPECIFY BEAM

Supporting Post Inline & End of Run



DESCRIPTION

Posts support beam packages

SPECIFICATION OPTIONS

product #: see charts below
finish: Silver, Cloud White, Black Umber

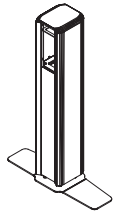
NOTES

- Posts support beam packages

ORDER EXAMPLE

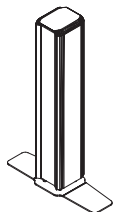
description: Beam inline 180° supporting post
product #: FB-POST180
finish: SV Silver

INLINE POST 180°



PART #	HEIGHT	WIDTH	DEPTH	WT. (LBS)	PRICE	NOTES
FB-POST180					\$804	<ul style="list-style-type: none"> • Use inline, between (2) beam packages

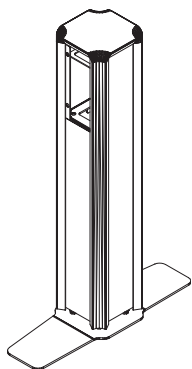
END OF RUN POST



PART #	HEIGHT	WIDTH	DEPTH	WT. (LBS)	PRICE	NOTES
FB-POSTEND					\$751	<ul style="list-style-type: none"> • Use at end of run

SPECIFY BEAM

Supporting Post 2, 3, 4 Way

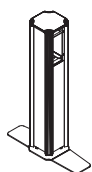


DESCRIPTION
Posts support beam packages

SPECIFICATION OPTIONS
product #: see charts below
finish: Silver, Cloud White, Black Umber

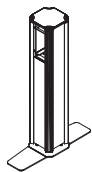
ORDER EXAMPLE
description: 3 way supporting post 90°
product #: FB-POST90-3
finish: SV Silver

2-WAY POST 90°



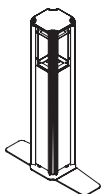
PART #	HEIGHT	WIDTH	DEPTH	WT. (LBS)	PRICE	NOTES
FB-POST90-2-D					\$773	• Use at 2-way, 90°

3-WAY POST 90°



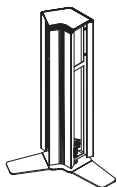
PART #	HEIGHT	WIDTH	DEPTH	WT. (LBS)	PRICE	NOTES
FB-POST90-3					\$876	• Use at 3-way, 90°

4-WAY POST 90°



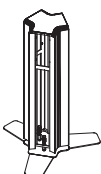
PART #	HEIGHT	WIDTH	DEPTH	WT. (LBS)	PRICE	NOTES
FB-POST90-4					\$876	• Use at 4-way, 90°

2-WAY POST 120°



PART #	HEIGHT	WIDTH	DEPTH	WT. (LBS)	PRICE	NOTES
FB-POST120-2					\$879	• Use at 2-way, 120°

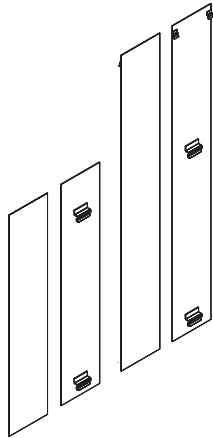
3-WAY POST 120°



PART #	HEIGHT	WIDTH	DEPTH	WT. (LBS)	PRICE	NOTES
FB-POST120-3					\$963	• Use at 3-way, 120°

SPECIFY BEAM

Laminate Insert Package



DESCRIPTION

Laminate insert packages for Beam posts

SPECIFICATION OPTIONS

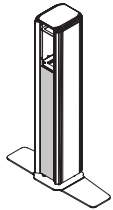
product #: see charts below
laminate: see page 9

ORDER EXAMPLE

product #: FB-POST180-LAM
laminate: M28 Arctic

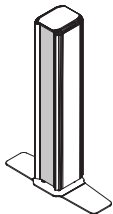
LAMINATE INSERT PACKAGE FOR INLINE POST 180°

PART #	HEIGHT	WIDTH	DEPTH	WT. (LBS)	PRICE	NOTES
FB-POST180-LAM	17.5"	3.5"			\$125	Includes • (2) Short Inserts



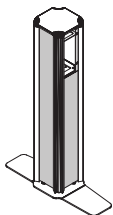
LAMINATE INSERT PACKAGE FOR END OF RUN POST

PART #	HEIGHT	WIDTH	DEPTH	WT. (LBS)	PRICE	NOTES
FB-POSTEND-LAM	17.5"/25"	3.5"			\$131	Includes • (1) Short Insert • (1) Tall Insert



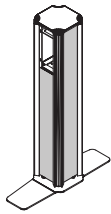
LAMINATE INSERT PACKAGE FOR 2-WAY POST 90°

PART #	HEIGHT	WIDTH	DEPTH	WT. (LBS)	PRICE	NOTES
FB-POST90-2-DLAM	17.5"/25"	3.5"			\$262	Includes • (2) Short Inserts • (2) Tall Inserts



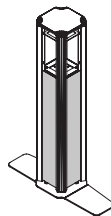
SPECIFY BEAM

LAMINATE INSERT PACKAGE FOR 3-WAY POST 90°



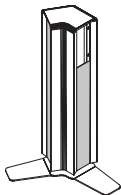
PART #	HEIGHT	WIDTH	DEPTH	WT. (LBS)	PRICE	NOTES
FB-POST90-3LAM	17.5"/25"	3.5"			\$257	Includes • (3) Short Inserts • (1) Tall Insert

LAMINATE INSERT PACKAGE FOR 4-WAY POST



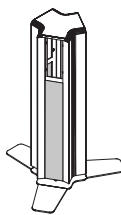
PART #	HEIGHT	WIDTH	DEPTH	WT. (LBS)	PRICE	NOTES
FB-POST90-4LAM	17.5"	3.5"			\$252	Includes • (4) Short Inserts

LAMINATE INSERT PACKAGE FOR 2-WAY POST 120°



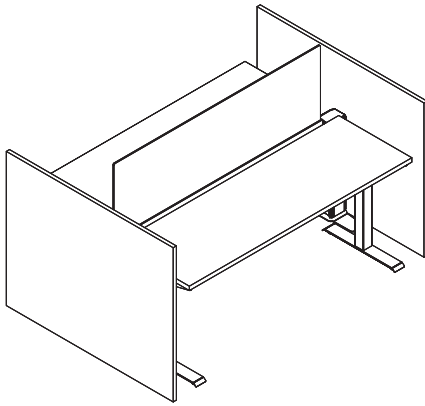
PART #	HEIGHT	WIDTH	DEPTH	WT. (LBS)	PRICE	NOTES
FB-POST120-2LAM	17.5"	3.5"			\$125	Includes • (2) Short Inserts

LAMINATE INSERT PACKAGE FOR 3-WAY POST 120°



PART #	HEIGHT	WIDTH	DEPTH	WT. (LBS)	PRICE	NOTES
FB-POST120-3LAM	17.5"	3.5"			\$188	Includes • (3) Short Inserts

Gallery Panels Double Sided, End of Run



DESCRIPTION

Laminate gallery panels connect to the end of a Beam run

NOTES

- Used at the end of a Beam run, attaches to Beam posts.
- Attachment hardware is included.
- Gallery panels provide modesty, not structural support.
- Extended length is to accommodate added depth from Privacy Screens

SPECIFICATION OPTIONS

product #: see charts below
surface finish: see page 9
finish: see page 9

ORDER EXAMPLE

product #: FBGPEORD.3048
surface finish: M10 Espresso
finish: Silver SV

30" HIGH

PART #	HEIGHT	WIDTH	DEPTH	PRICE
FBGPEORD.3048	30"	53.5"	1"	\$792
FBGPEORD.3060	30"	65.5"	1"	\$872

30" HIGH - EXTENDED LENGTH

PART #	HEIGHT	WIDTH	DEPTH	PRICE
FBGPEORD.PS.3048	30"	58"	1"	\$871
FBGPEORD.PS.3060	30"	70"	1"	\$959

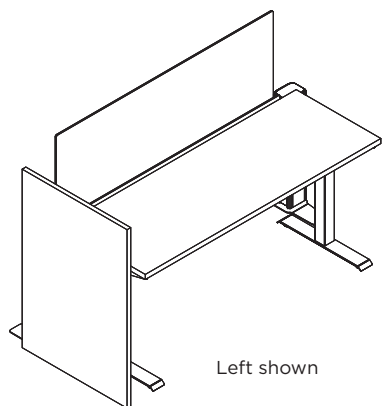
42" HIGH

PART #	HEIGHT	WIDTH	DEPTH	PRICE
FBGPEORD.4248	42"	53.5"	1"	\$944
FBGPEORD.4260	42"	65.5"	1"	\$1,053

42" HIGH - EXTENDED LENGTH

PART #	HEIGHT	WIDTH	DEPTH	PRICE
FBGPEORD.PS.4248	42"	58"	1"	\$1,038
FBGPEORD.PS.4260	42"	70"	1"	\$1,158

Gallery Panels Single Sided, End of Run



Left shown

DESCRIPTION

Laminate gallery panels connect to the end of a Beam run

NOTES

- Used at the end of a Beam run, attaches to Beam posts.
- Attachment hardware is included.
- Gallery panels provide modesty, not structural support.
- Extended length is to accommodate added depth from Privacy Screens

SPECIFICATION OPTIONS

product #: see charts below
surface finish: see page 9
finish: see page 9

ORDER EXAMPLE

product #: FBGPEORS.3024L
surface finish: M10 Espresso
finish: Silver SV

30" HIGH

PART #	HEIGHT	WIDTH	DEPTH	PRICE
FBGPEORS.3024L	30"	29.5"	1"	\$625
FBGPEORS.3024R	30"	29.5"	1"	\$625
FBGPEORS.3030L	30"	35.5"	1"	\$664
FBGPEORS.3030R	30"	35.5"	1"	\$664

30" HIGH - EXTENDED LENGTH

PART #	HEIGHT	WIDTH	DEPTH	PRICE
FBGPEORS.PS.3024L	30"	31"	1"	\$688
FBGPEORS.PS.3024R	30"	31"	1"	\$688
FBGPEORS.PS.3030L	30"	37"	1"	\$730
FBGPEORS.PS.3030R	30"	37"	1"	\$730

42" HIGH

PART #	HEIGHT	WIDTH	DEPTH	PRICE
FBGPEORS.4224L	42"	29.5"	1"	\$719
FBGPEORS.4224R	42"	29.5"	1"	\$719
FBGPEORS.4230L	42"	35.5"	1"	\$774
FBGPEORS.4230R	42"	35.5"	1"	\$774

42" HIGH - EXTENDED LENGTH

PART #	HEIGHT	WIDTH	DEPTH	PRICE
FBGPEORS.PS.4224L	42"	31"	1"	\$791
FBGPEORS.PS.4224R	42"	31"	1"	\$791
FBGPEORS.PS.4230L	42"	37"	1"	\$851
FBGPEORS.PS.4230R	42"	37"	1"	\$851

SPECIFY BEAM

Beam Base Cover, non-powered



DESCRIPTION

Base cover without power/data knockout

SPECIFICATION OPTIONS

product #: see charts below
finish: SV, BU, CW

NOTES

- Beam package includes power/data base covers

ORDER EXAMPLE

description: Non-powered Beam basecover
product #: FATB-BC-N-48
finish: Silver SV

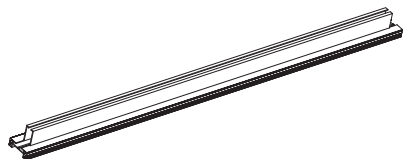
PART #	LIST
FATB-BC-N-36	\$53
FATB-BC-N-42	\$64
FATB-BC-N-48	\$72
FATB-BC-N-54	\$81
FATB-BC-N-60	\$88
FATB-BC-N-66	\$96
FATB-BC-N-72	\$104

NOTES

- Non-powered base cover
- Order (1) for each side if needed

SPECIFY BEAM

Beam Package Top Caps



DESCRIPTION

Top cap only.

SPECIFICATION OPTIONS

product #: see charts below
finish: See page 9

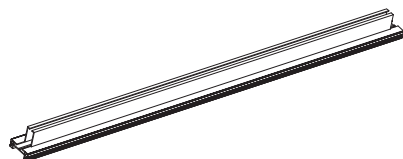
NOTES

- Top cap is included in beam package #FB-BEAM-XXX-E
- Includes attachment hardware
- Order new top cap to match the size and finish of the original beam package
- **This top cap sold separately for reconfiguration purposes**

ORDER EXAMPLE

description: Top cap for beam packages
product #: FB-TOPCAP-36-A-XX
finish: Silver SV

BEAM TOP CAP WITH SCREEN SUPPORT



PART #	WIDTH	DEPTH	LIST
FB-TOPCAP-36-A	36"	-	\$242
FB-TOPCAP-42-A	42"	-	\$266
FB-TOPCAP-48-A	48"	-	\$292
FB-TOPCAP-54-A	54"	-	\$315
FB-TOPCAP-60-A	60"	-	\$347
FB-TOPCAP-66-A	66"	-	\$369
FB-TOPCAP-72-A	72"	-	\$401

NOTES

- Order screens separately. (see page 55)

BEAM TOP CAP WITHOUT SCREEN SUPPORT



PART #	WIDTH	DEPTH	LIST
FB-TOPCAP-36-B	36"	-	\$91
FB-TOPCAP-42-B	42"	-	\$105
FB-TOPCAP-48-B	48"	-	\$118
FB-TOPCAP-54-B	54"	-	\$134
FB-TOPCAP-60-B	60"	-	\$148
FB-TOPCAP-66-B	66"	-	\$160
FB-TOPCAP-72-B	72"	-	\$177

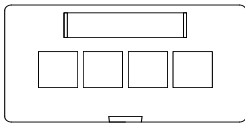
Beam Electrical Distribution

DESCRIPTION	SPECIFICATION OPTIONS
Electrical distribution components	product #: see charts below finish: see page 9
NOTES	ORDER EXAMPLE
<ul style="list-style-type: none"> • Circuit 4 is dedicated • Power is 8 wire, (4) 20 AMP circuit • Receptacles are rated 120V, 15 AMPS 	product #: FIRECP4.1 finish: CW

RECEPTACLE 4-CIRCUITS

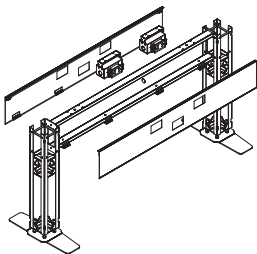
PART #	HEIGHT	WIDTH	DEPTH	WT. (LBS)	PRICE	NOTES
FIRECP4.I	circuit I	—	—	0.25"	\$37	<ul style="list-style-type: none"> • Provides access to I, II, III, IIII circuit • Provides dedicated circuit with "IIII" receptacle • CW, SV, BU • Receptacle -CONT are permanently marked CONTROLLED on the face of the receptacle and must be connected to a timer or motion sensor at the infeed location by a licensed electrician in order to comply with California T24
FIRECP4.II	circuit II	—	—	0.25"	\$37	
FIRECP4.III	circuit III	—	—	0.25"	\$37	
FIRECP4.IIIII	circuit IIII (dedicated)	—	—	0.25"	\$37	
FIRECP4.II-CONT	Circuit II	—	—	0.25"	\$37	
FIRECP4.III-CONT	Circuit III	—	—	0.25"	\$37	

DATA PORT PLATE



PART #	HEIGHT	WIDTH	DEPTH	WT. (LBS)	PRICE	NOTES
FBDPP	2.125"	3.625"	0.250"	0.10	\$61	<ul style="list-style-type: none"> • If running more than (20) data cables, use FHDPP. • If running less than (20) data cables, use FBDPP. • SV, CW or BU
FHDPP	2.125"	3.625"	0.750"	0.10	\$61	

CHICAGO POWER BOX



PART #	HEIGHT	WIDTH	DEPTH	WT. (LBS)	PRICE	NOTES
FBCPB					\$72	<ul style="list-style-type: none"> • Chicago Power Boxes house electrical components provided by others • Can accommodate back-to-back or single-sided duplexes (provided by others) • Beams 36"W can accommodate (1) chicago power box • Beams 42"W and over can accommodate (2) chicago power boxes

Beam Electrical Distribution, cont'd

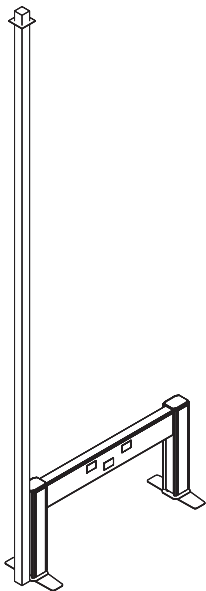
BASE POWER ENTRY



PART #	HEIGHT	WIDTH	DEPTH	WT. (LBS)	PRICE
FB-BPE	6'				\$452

- NOTES
- Base power entry, 4 circuit, for use with Beam product.
 - Base infeed comes with post inserts with cutout, (1) tall and (1) short
 - CW, BU, or SV finish

CEILING POWER ENTRY



PART #	HEIGHT	WIDTH	DEPTH	WT. (LBS)	PRICE
FB-CPE					\$1,095

- NOTES
- Ceiling power entry, 4 circuit, for use with Beam product.
 - CW, SV, BU
 - Beam power poles attach at any tall insert side of a Beam post. They can attach at any of the following post types:
 - End-of-run post
 - 2-way 90° post
 - 3-way 90° post

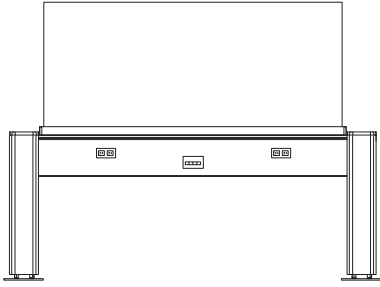
CEILING DATA ENTRY

PART #	HEIGHT	WIDTH	DEPTH	WT. (LBS)	PRICE
FB-CDE					\$569

- NOTES
- Routes data cables from the ceiling to Beam
 - CW, SV, BU

SPECIFY BEAM

Beam Mounted Screens



DESCRIPTION

Privacy screens for use with beam product

SPECIFICATION OPTIONS

product #: see charts below

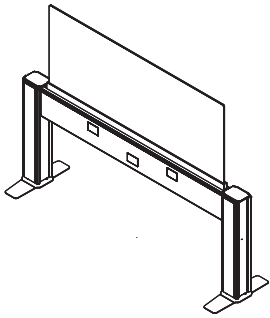
NOTES

- For use with beam packages with screen support: i.e. FB-BEAM-42A-E
- Includes mounting hardware
- Actual screen is 7" shorter than Beam Package

ORDER EXAMPLE

product #: FB-FBS2436
fabric: PF1010-3 Slide Pewter

FROSTED GLASS SCREEN

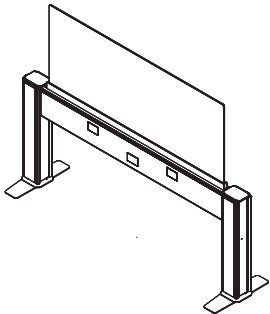


PART #	WIDTH	HEIGHT	LIST
FB-GLS2436-FR	29"	24"	\$343
FB-GLS2442-FR	35"	24"	\$392
FB-GLS2448-FR	41"	24"	\$427
FB-GLS2454-FR	47"	24"	\$476
FB-GLS2460-FR	53"	24"	\$525
FB-GLS2466-FR	59"	24"	\$573
FB-GLS2472-FR	65"	24"	\$624

NOTES

- Price is for (1) screen

CLEAR GLASS SCREEN

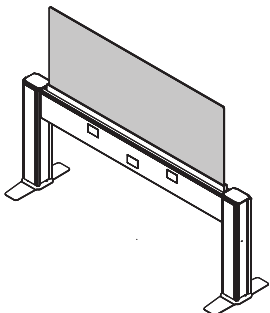


PART #	WIDTH	HEIGHT	LIST
FB-GLS2436-CL	29"	24"	\$209
FB-GLS2442-CL	35"	24"	\$235
FB-GLS2448-CL	41"	24"	\$254
FB-GLS2454-CL	47"	24"	\$279
FB-GLS2460-CL	53"	24"	\$308
FB-GLS2466-CL	59"	24"	\$334
FB-GLS2472-CL	65"	24"	\$360

NOTES

- Price is for (1) screen

FABRIC COVERED SCREEN



PART #	WIDTH	HEIGHT	LIST
FB-FBS2436	29"	24"	\$600
FB-FBS2442	35"	24"	\$626
FB-FBS2448	41"	24"	\$651
FB-FBS2454	47"	24"	\$683
FB-FBS2460	53"	24"	\$710
FB-FBS2466	59"	24"	\$744
FB-FBS2472	65"	24"	\$771

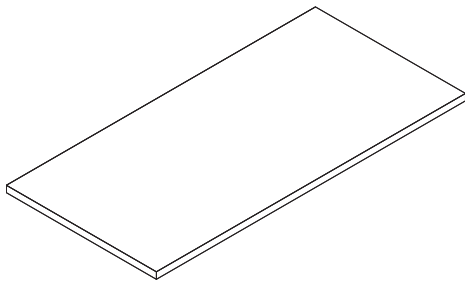
NOTES

- Price is for (1) screen
- Screens are magnetic, not tackable
- Passage and Terrain fabric not approved for this application

SPECIFY BEAM

WORKSURFACES FOR USE WITH BEAM

Rectangular



MY-HITE WORKSURFACES - BEAM APPLICATION

DESCRIPTION

Worksurface top only, for use with height adjustable base within workstation application

NOTES

- Add grommet (add \$75 list) Specify GL, GC, GR
- Order base separately from MY-HITE pricebook

Note: Top size reduced 1" in depth and 2" in width to fit within system workstation and prevent pinch points. We do not recommend using full size worktop in paneled workstation applications.

SPECIFICATION OPTIONS

product #: see charts below
worksurface finish: see page 9
edge finish: see page 9

ORDER EXAMPLE

product #: FBRWS.2340
worksurface finish: Light Maple, M1
edge finish: DT Dark Tone, E12
grommet: GC (Rear Center)
grommet color: Cloud White

RECTANGULAR WORKSURFACE, 23" DEEP

PART #	WIDTH	DEPTH	PRICE
FBRWS.2340	40"	23"	\$380
FBRWS.2346	46"	23"	\$392
FBRWS.2352	52"	23"	\$463
FBRWS.2358	58"	23"	\$474
FBRWS.2364	64"	23"	\$545
FBRWS.2370	70"	23"	\$561
FBRWS.2376	76"	23"	\$684
FBRWS.2382	82"	23"	\$691

NOTES

- Sizes are actual for example FBRWS.2370 is 23" x 70"

RECTANGULAR WORKSURFACE, 29" DEEP

PART #	WIDTH	DEPTH	PRICE
FBRWS.2940	40"	29"	\$449
FBRWS.2946	46"	29"	\$463
FBRWS.2952	52"	29"	\$547
FBRWS.2958	58"	29"	\$561
FBRWS.2964	64"	29"	\$650
FBRWS.2970	70"	29"	\$664
FBRWS.2976	76"	29"	\$818
FBRWS.2982	82"	29"	\$824

NOTES

- Sizes are actual for example FBRWS.2970 is 29" x 70"

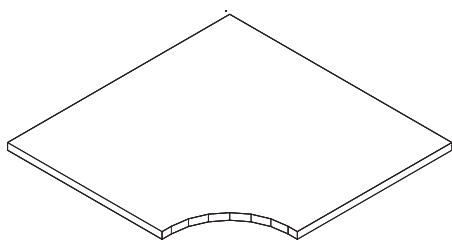
RECTANGULAR WORKSURFACE, 35" DEEP

PART #	WIDTH	DEPTH	PRICE
FBRWS.3540	40"	35"	\$473
FBRWS.3546	46"	35"	\$480
FBRWS.3552	52"	35"	\$843
FBRWS.3558	58"	35"	\$852
FBRWS.3564	64"	35"	\$862
FBRWS.3570	70"	35"	\$871
FBRWS.3576	76"	35"	\$879
FBRWS.3582	82"	35"	\$1,005

NOTES

- Sizes are actual for example FBRWS.3570 is 35" x 70"

Corner



DESCRIPTION

Corner worksurface top only, for use with height adjustable base within workstation application.

NOTES

- Add grommet (add \$75 list) Specify GL, GC, GR
- Order base separately from MY-HITE pricebook

Note: Top size reduced 1" in depth and 2" in width to fit within system workstation and prevent pinch points. We do not recommend using full size worktop in paneled workstation applications.

SPECIFICATION OPTIONS

product #: see charts below
edge finish: see page 9
worksurface finish: see page 9

ORDER EXAMPLE

product #: FBCWS.2340
edge finish: DT Dark Tone, E12
worksurface finish: Light Maple, M1
grommet: GC (Rear Center)
grommet color: Cloud White

CORNER WORKSURFACE

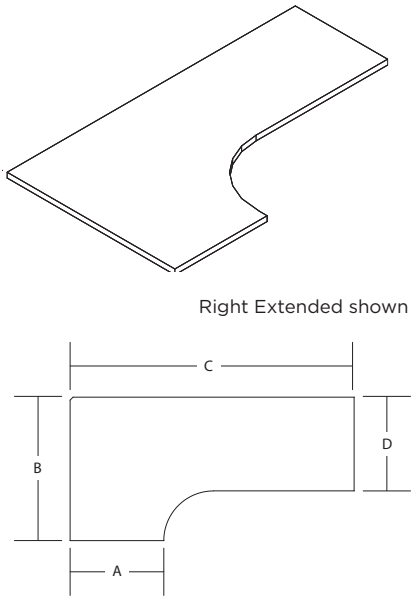
PART #	WIDTH	DEPTH	PRICE
FBCWS.2340	40"	23"	\$626
FBCWS.2346	46"	23"	\$662
FBCWS.2940	40"	29"	\$681
FBCWS.2946	46"	29"	\$715

NOTES

- Sizes are actual for example FBCWS.2346 is 23" x 46"

90° Extended Curved Corner

MY-HITE WORKSURFACES - BEAM APPLICATION



DESCRIPTION

Laminate worksurface with 3mm PVC edge

NOTES

- Worksurface top only, for use with height adjustable base within workstation application
- See My-Hite pricebook for use inside a freestanding application
- Add circular grommet (add \$75 list) Specify grommet placement GL, GC, GR
- Top size reduced 1" in depth and 2" in width to fit within system workstation and prevent pinch points.
- We do not recommend using full size worktop in paneled workstation applications

SPECIFICATION OPTIONS

product #: see charts below
edge finish: see page 9
worksurface finish: see page 9
left or right extended: L for Left, R for Right

ORDER EXAMPLE

product #: FBECWWS.23345823L
top, edge finish: E10 Espresso
worksurface finish: M11 Light Walnut

**23" D CONNECTING SIDE
 23" D EXTENSION
 34" D**

PART #	HEIGHT	A	B	C	D	PRICE
FBECWWS.23345823L	1.25"	23"	34"	58"	23"	\$718
FBECWWS.23345823R	1.25"	23"	34"	58"	23"	\$718
FBECWWS.23346423L	1.25"	23"	34"	64"	23"	\$800
FBECWWS.23346423R	1.25"	23"	34"	64"	23"	\$800
FBECWWS.23347023L	1.25"	23"	34"	70"	23"	\$813
FBECWWS.23347023R	1.25"	23"	34"	70"	23"	\$813
FBECWWS.23347623L	1.25"	23"	34"	76"	23"	\$974
FBECWWS.23347623R	1.25"	23"	34"	76"	23"	\$974
FBECWWS.23348223L	1.25"	23"	34"	82"	23"	\$1,081
FBECWWS.23348223R	1.25"	23"	34"	82"	23"	\$1,081

**29" D CONNECTING SIDE
 29" D EXTENSION
 34" D**

PART #	HEIGHT	A	B	C	D	PRICE
FBECWWS.29345829L	1.25"	29"	34"	58"	29"	\$786
FBECWWS.29345829R	1.25"	29"	34"	58"	29"	\$786
FBECWWS.29346429L	1.25"	29"	34"	64"	29"	\$868
FBECWWS.29346429R	1.25"	29"	34"	64"	29"	\$868
FBECWWS.29347029L	1.25"	29"	34"	70"	29"	\$879
FBECWWS.29347029R	1.25"	29"	34"	70"	29"	\$879
FBECWWS.29347629L	1.25"	29"	34"	76"	29"	\$1,042
FBECWWS.29347629R	1.25"	29"	34"	76"	29"	\$1,042
FBECWWS.29348229L	1.25"	29"	34"	82"	29"	\$1,145
FBECWWS.29348229R	1.25"	29"	34"	82"	29"	\$1,145

**23" D CONNECTING SIDE
23" D EXTENSION
40" D**

PART #	HEIGHT	A	B	C	D	PRICE
FBECCWS.23405823L	1.25"	23"	40"	58"	23"	\$865
FBECCWS.23405823R	1.25"	23"	40"	58"	23"	\$865
FBECCWS.23406423L	1.25"	23"	40"	64"	23"	\$972
FBECCWS.23406423R	1.25"	23"	40"	64"	23"	\$972
FBECCWS.23407023L	1.25"	23"	40"	70"	23"	\$987
FBECCWS.23407023R	1.25"	23"	40"	70"	23"	\$987
FBECCWS.23407623L	1.25"	23"	40"	76"	23"	\$1,196
FBECCWS.23407623R	1.25"	23"	40"	76"	23"	\$1,196
FBECCWS.23408223L	1.25"	23"	40"	82"	23"	\$1,335
FBECCWS.23408223R	1.25"	23"	40"	82"	23"	\$1,335

**29" D CONNECTING SIDE
29" D EXTENSION
40" D**

PART #	HEIGHT	A	B	C	D	PRICE
FBECCWS.29405829L	1.25"	29"	40"	58"	29"	\$931
FBECCWS.29405829R	1.25"	29"	40"	58"	29"	\$931
FBECCWS.29406429L	1.25"	29"	40"	64"	29"	\$1,038
FBECCWS.29406429R	1.25"	29"	40"	64"	29"	\$1,038
FBECCWS.29407029L	1.25"	29"	40"	70"	29"	\$1,054
FBECCWS.29407029R	1.25"	29"	40"	70"	29"	\$1,054
FBECCWS.29407629L	1.25"	29"	40"	76"	29"	\$1,264
FBECCWS.29407629R	1.25"	29"	40"	76"	29"	\$1,264
FBECCWS.29408229L	1.25"	29"	40"	82"	29"	\$1,401
FBECCWS.29408229R	1.25"	29"	40"	82"	29"	\$1,401

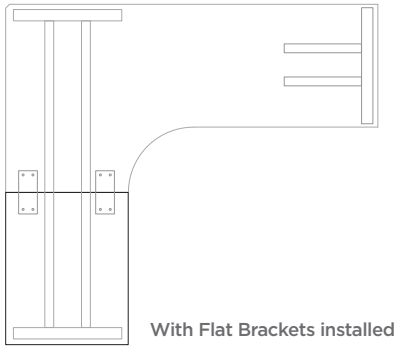
**23" D CONNECTING SIDE
23" D EXTENSION
46" D**

PART #	HEIGHT	A	B	C	D	PRICE
FBECCWS.23465823L	1.25"	23"	46"	58"	23"	\$877
FBECCWS.23465823R	1.25"	23"	46"	58"	23"	\$877
FBECCWS.23466423L	1.25"	23"	46"	64"	23"	\$987
FBECCWS.23466423R	1.25"	23"	46"	64"	23"	\$987
FBECCWS.23467023L	1.25"	23"	46"	70"	23"	\$1,009
FBECCWS.23467023R	1.25"	23"	46"	70"	23"	\$1,009
FBECCWS.23467623L	1.25"	23"	46"	76"	23"	\$1,229
FBECCWS.23467623R	1.25"	23"	46"	76"	23"	\$1,229
FBECCWS.23468223L	1.25"	23"	46"	82"	23"	\$1,378
FBECCWS.23468223R	1.25"	23"	46"	82"	23"	\$1,378

**29" D CONNECTING SIDE
29" D EXTENSION
46" D**

PART #	HEIGHT	A	B	C	D	PRICE
FBECCWS.29465829L	1.25"	29"	46"	58"	29"	\$945
FBECCWS.29465829R	1.25"	29"	46"	58"	29"	\$945
FBECCWS.29466429L	1.25"	29"	46"	64"	29"	\$1,054
FBECCWS.29466429R	1.25"	29"	46"	64"	29"	\$1,054
FBECCWS.29467029L	1.25"	29"	46"	70"	29"	\$1,077
FBECCWS.29467029R	1.25"	29"	46"	70"	29"	\$1,077
FBECCWS.29467629L	1.25"	29"	46"	76"	29"	\$1,296
FBECCWS.29467629R	1.25"	29"	46"	76"	29"	\$1,296
FBECCWS.29468229L	1.25"	29"	46"	82"	29"	\$1,439
FBECCWS.29468229R	1.25"	29"	46"	82"	29"	\$1,439

Rectangular Extension Freestanding Application



DESCRIPTION

Laminate worksurface with 3mm PVC edge

NOTES

- For use in combination with Extended Corner Worksurfaces and Corner My-Hite Bases only
- Not for use alone, nor with straight bases
- Maximum width combined: 84x84" (for all bases) or 72x96" (3 Stage base only)

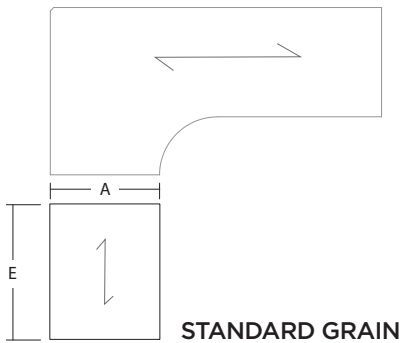
SPECIFICATION OPTIONS

product #: see charts below
worksurface finish: see page 9
edge finish: see page 9

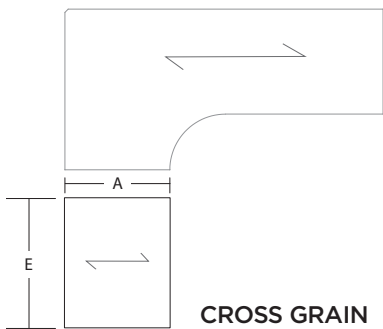
ORDER EXAMPLE

product #: FBRWS.2324
worksurface finish: Light Maple, M1
edge finish: DT Dark Tone, E12

RECTANGULAR WORKSURFACE

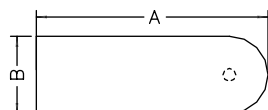
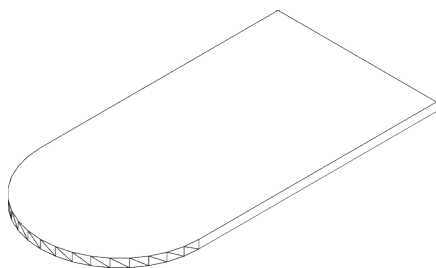


PART #	DEPTH "A"	WIDTH "E"	LIST	NOTES
FBRWS.2324	23"	24"	\$299	• Standard default grain direction is left to right (See left)
FBRWS.2330	23"	30"	\$342	
FBRWS.2336	23"	36"	\$353	
FBRWS.2924	29"	24"	\$396	
FBRWS.2930	29"	30"	\$451	
FBRWS.2936	29"	36"	\$464	



PART #	DEPTH "A"	WIDTH "E"	LIST	NOTES
FBRWS.2324-CG	23"	24"	\$357	• Cross grain direction is front to back (See left)
FBRWS.2330-CG	23"	30"	\$409	
FBRWS.2336-CG	23"	36"	\$423	
FBRWS.2924-CG	29"	24"	\$475	
FBRWS.2930-CG	29"	30"	\$542	
FBRWS.2936-CG	29"	36"	\$557	

D-Shaped



DESCRIPTION

Worksurface top only, for use with height adjustable base within workstation application

NOTES

- Add grommet (add \$75 list)
Location is GC
- Order base separately from MY-HITE pricebook

Note: Top size reduced 1" in depth and 2" in width to fit within system workstation and prevent pinch points. We do not recommend using full size worktop in paneled workstation applications.

SPECIFICATION OPTIONS

product #: see charts below
edge finish: see page 9
worksurface finish: see page 9

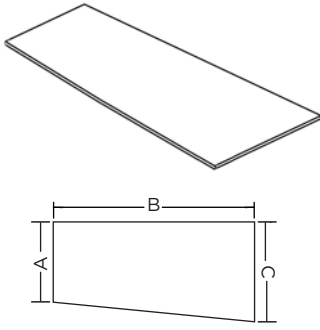
ORDER EXAMPLE

product #: FBEDSP.2346
edge finish: DT Dark Tone, E12
worksurface finish: Espresso, M10
grommet: GC (Rear Center)
grommet color: Cloud White

D-SHAPED

PART #	HEIGHT	A	B	C	D	PRICE	NOTES
FBEDSP.2346	1.25"	46"	23"	—	—	\$572	• Sizes are actual for example FBEDSP.2346 is 23" x 46"
FBEDSP.2358	1.25"	58"	23"	—	—	\$638	
FBEDSP.2946	1.25"	46"	29"	—	—	\$628	
FBEDSP.2958	1.25"	58"	29"	—	—	\$697	
FBEDSP.2970	1.25"	70"	29"	—	—	\$760	
FBEDSP.3570	1.25"	70"	35"	—	—	\$839	

Wedge



DESCRIPTION

Worksurface top only, for use with height adjustable base within workstation application

NOTES

- Add grommet (add \$75 list)
Specify GL, GC, GR
- Order base separately from MY-HITE pricebook

Note: Top size reduced 1" in depth and 2" in width to fit within system workstation and prevent pinch points. We do not recommend using full size worktop in paneled workstation applications.

SPECIFICATION OPTIONS

product #: see charts below
edge finish: see page 9
worksurface finish: see page 9

ORDER EXAMPLE

product #: FBWDWS.234029
edge finish: DT Dark Tone, E12
worksurface finish: Espresso, M10
grommet: GC (Rear Center)
grommet color: Cloud White

**23"D LEFT
29"D RIGHT**

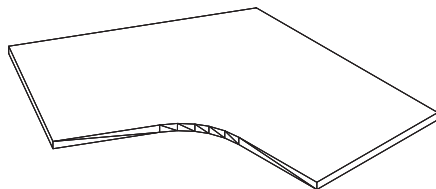
PART #	HEIGHT	A	B	C	D	PRICE
FBWDWS.234029	1.25"	23"	40"	29"	—	\$444
FBWDWS.234629	1.25"	23"	46"	29"	—	\$452
FBWDWS.235229	1.25"	23"	52"	29"	—	\$514
FBWDWS.235829	1.25"	23"	58"	29"	—	\$550
FBWDWS.236429	1.25"	23"	64"	29"	—	\$614
FBWDWS.237029	1.25"	23"	70"	29"	—	\$628
FBWDWS.237629	1.25"	23"	76"	29"	—	\$729

**29"D LEFT
23"D RIGHT**

PART #	HEIGHT	A	B	C	D	PRICE
FBWDWS.294023	1.25"	29"	40"	23"	—	\$444
FBWDWS.294623	1.25"	29"	46"	23"	—	\$452
FBWDWS.295223	1.25"	29"	52"	23"	—	\$514
FBWDWS.295823	1.25"	29"	58"	23"	—	\$550
FBWDWS.296423	1.25"	29"	64"	23"	—	\$614
FBWDWS.297023	1.25"	29"	70"	23"	—	\$628
FBWDWS.297623	1.25"	29"	76"	23"	—	\$729



120° Corner / 90° Ends



DESCRIPTION

Worksurface top only, for use with height adjustable base within workstation application

NOTES

- Add grommet (add \$75 list)
Specify 120GL, 120GC, 120GR
- Order base separately from MY-HITE pricebook

Note: Top size reduced 1" in depth and 2" in width to fit within system workstation and prevent pinch points. We do not recommend using full size worktop in paneled workstation applications.

SPECIFICATION OPTIONS

product #: see charts below
edge finish: see page 9
worksurface finish: see page 9

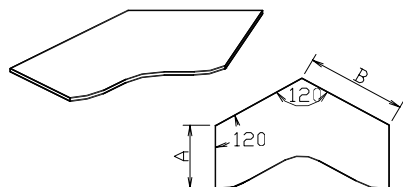
ORDER EXAMPLE

product #:FB120-90WS.2334
edge finish: DT Dark Tone, E12
worksurface finish: Espresso, M10
grommet: 120GC (Rear Center)
grommet color: Cloud White

120° CORNER 90° ENDS

PART #	HEIGHT	A	B	C	D	PRICE
FB120-90WS.2334	1.25"	23"	34"	—	—	\$820
FB120-90WS.2340	1.25"	23"	40"	—	—	\$1,010
FB120-90WS.2346	1.25"	23"	46"	—	—	\$1,259

120° Corner / 120° Ends



DESCRIPTION

Worksurface top only, for use with height adjustable base within workstation application

NOTES

- Add grommet (add \$75 list)
Specify 120GL, 120GC, 120GR
- Order base separately from MY-HITE pricebook

Note: Top size reduced 1" in depth and 2" in width to fit within system workstation and prevent pinch points. We do not recommend using full size worktop in paneled workstation applications.

SPECIFICATION OPTIONS

product #: see charts below
edge finish: see page 9
worksurface finish: see page 9

ORDER EXAMPLE

product #:FB120-120WS.2334
edge finish: DT Dark Tone, E12
worksurface finish: Espresso, M10
grommet: 120GC (Rear Center)

120° CORNER 120° ENDS

PART #	HEIGHT	A	B	C	D	PRICE
FB120-120WS.2334	1.25"	23"	34"	—	—	\$820
FB120-120WS.2340	1.25"	23"	40"	—	—	\$1,010
FB120-120WS.2346	1.25"	23"	46"	—	—	\$1,259